

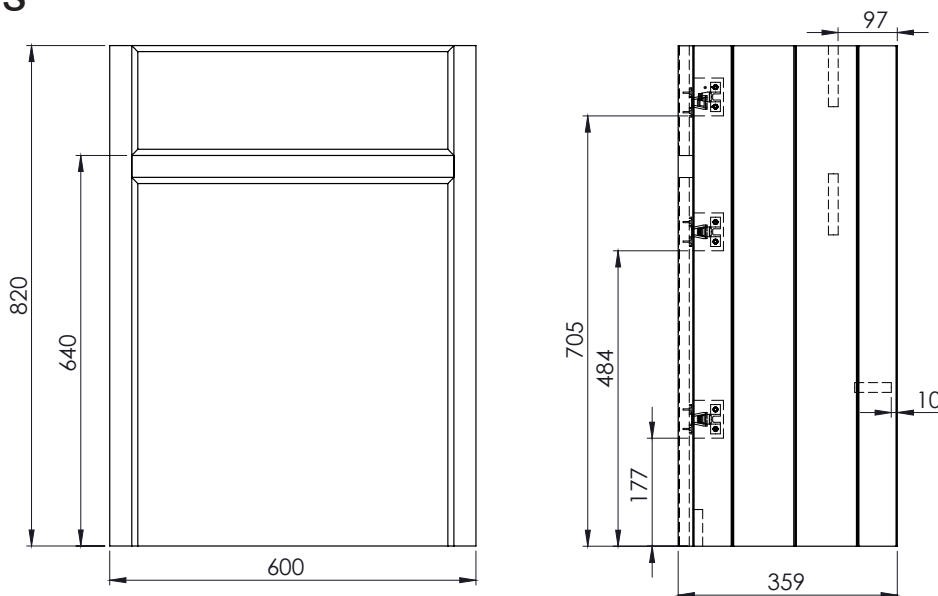
600 Back to Wall WC Unit

ROPER RHODES®
BATH



NO.	DESCRIPTION	PRODUCT CODE	FIXINGS INCLUDED?	GROSS WEIGHT	NET WEIGHT
1	HAMPTON 600 BACK TO WALL	HAM600BTW	YES	20kg	20kg

DIMENSIONS



DIAGRAMS NOT TO SCALE
ALL DIMENSIONS IN MM
TOLERANCE OF ± 5MM

FAQ

Does the unit come supplied with a worktop? No, one should be chosen from our selection of worktops. A wider selection is available from our fitted furniture standard depth worktop options.

Can a wall hung pan frame be used inside this unit? Yes, the standard Roper Rhodes Wall Hung Frame can be used inside this unit if needed.

Can a comfort height pan be used with this unit? Yes - providing a comfort height cistern is used.

Which cistern should I use with this unit? All Roper Rhodes cisterns are compatible with this unit, but they should be checked for suitability with the desired pan.

Do the fascias come pre-cut? No, suitable holes for the pan and cistern buttons should be cut by the fitters. Any cuts or holes should be re-sealed to prevent any moisture ingress.