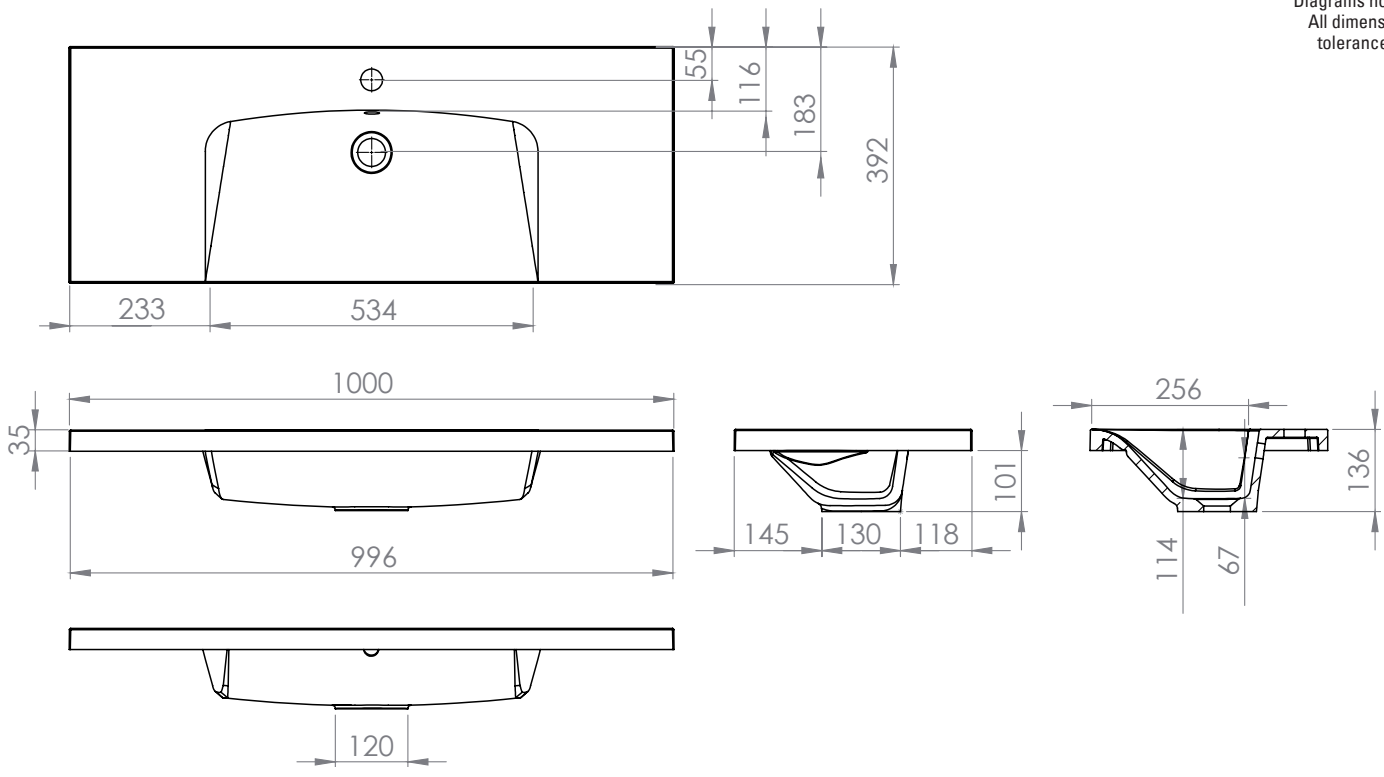


# Technical Data Sheet

## ROPER RHODES

Diagrams not to scale  
All dimensins in mm  
tolerance of +5mm

### Dimensions - Isocast Basin 1000



### Dimensions - Isocast Basin 1200

