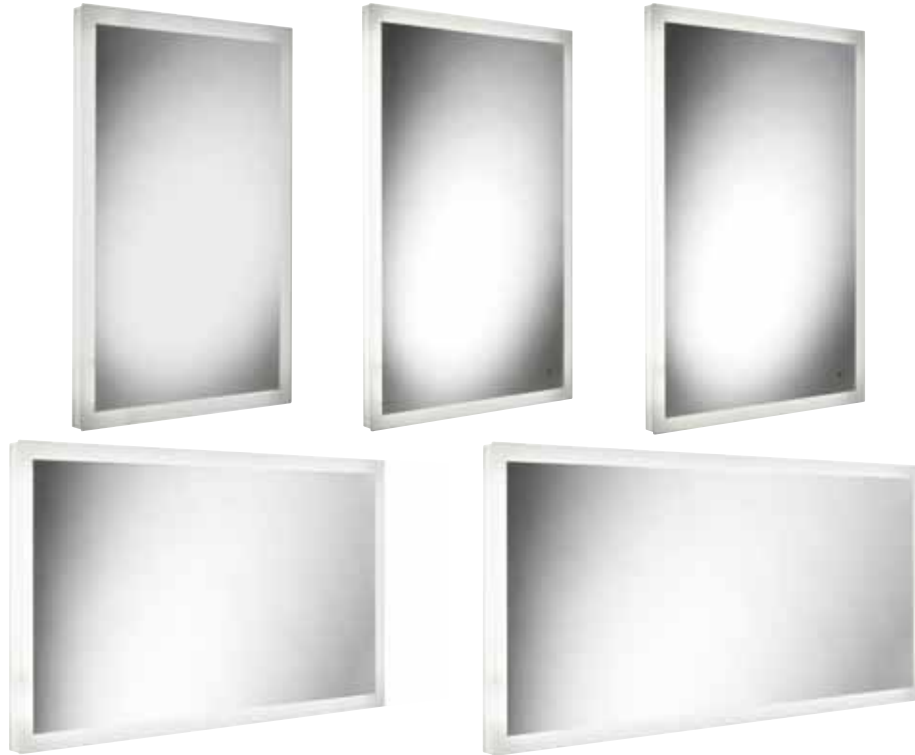
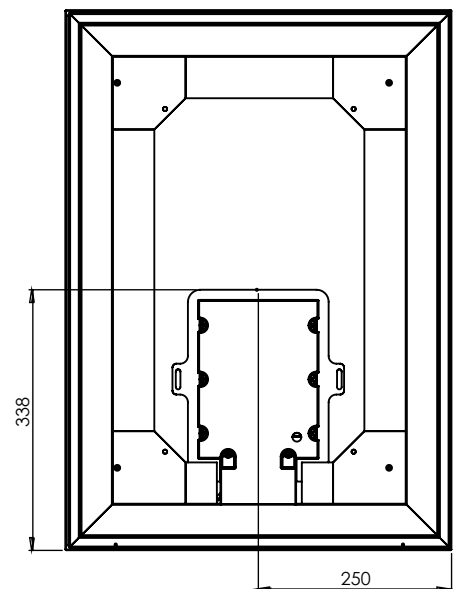
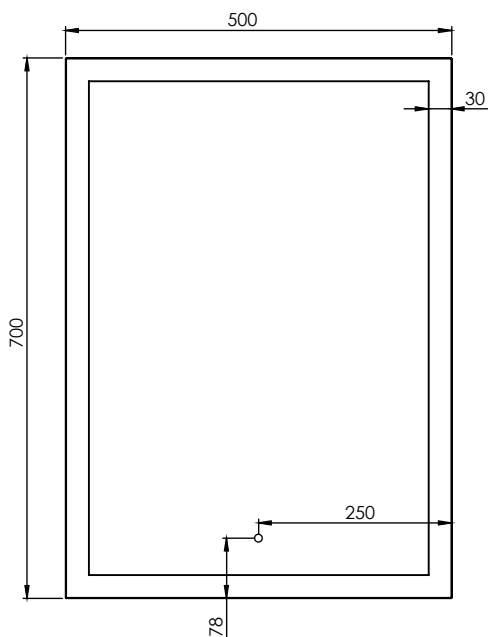


## US70AL, US80AL, US90AL, US10AL, US12AL

No.	Description	Code	Fixings Included
1	Ultraslim mirror 700x500mm	US70AL	Yes
2	Ultraslim mirror 800x600mm	US80AL	Yes
3	Ultraslim mirror 900x700mm	US90AL	Yes
4	Ultraslim mirror 1000x500mm	US10AL	Yes
5	Ultraslim mirror 1200x500mm	US12AL	Yes

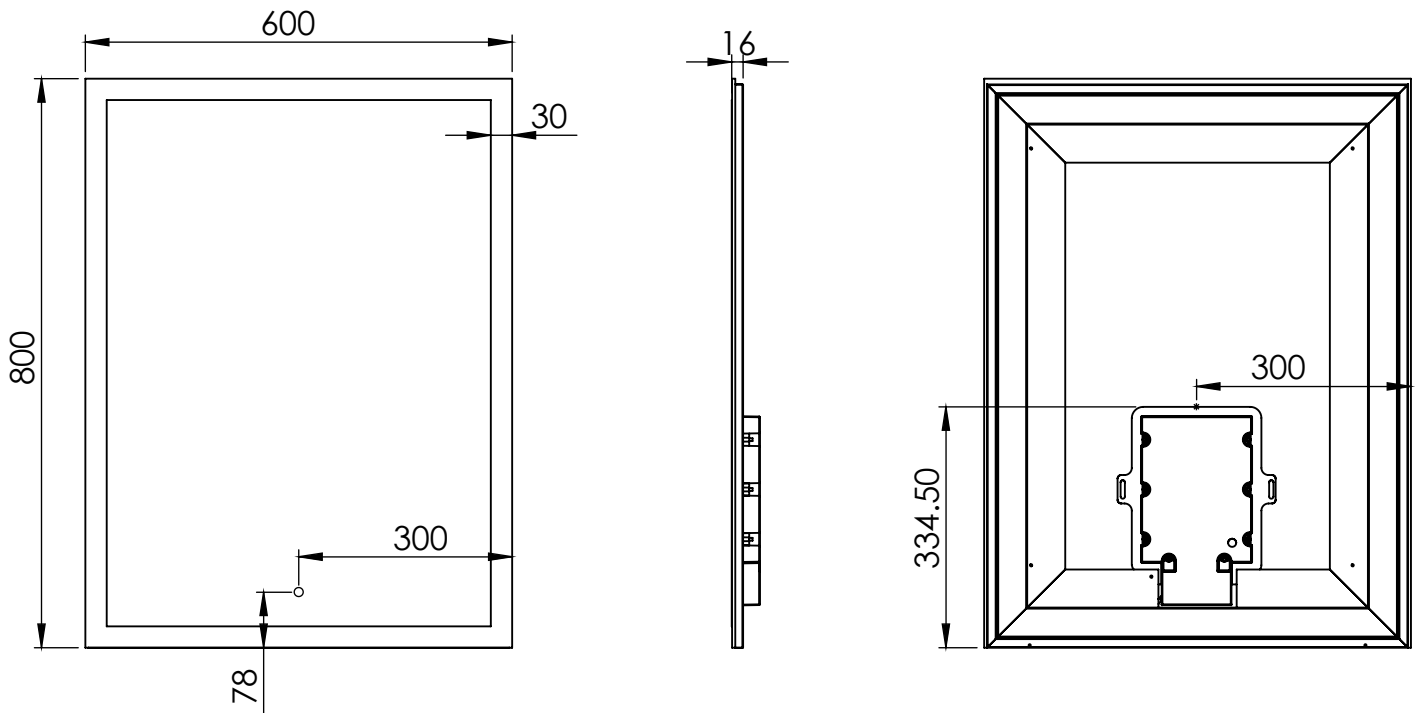


### Dimensions - 700x500mm

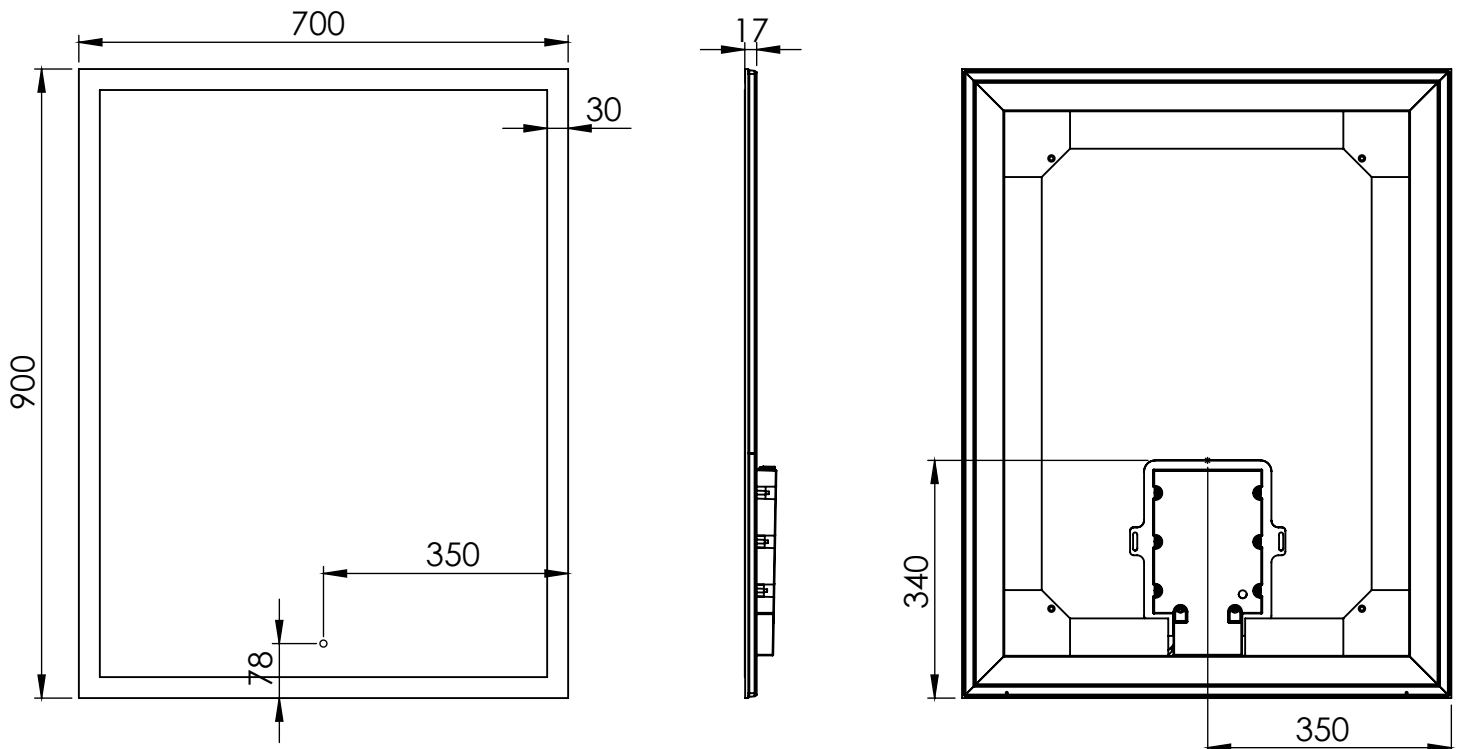


Diagrams not to scale  
All dimensions in mm  
tolerance of +/- 5mm

## Dimensions - 800x600mm

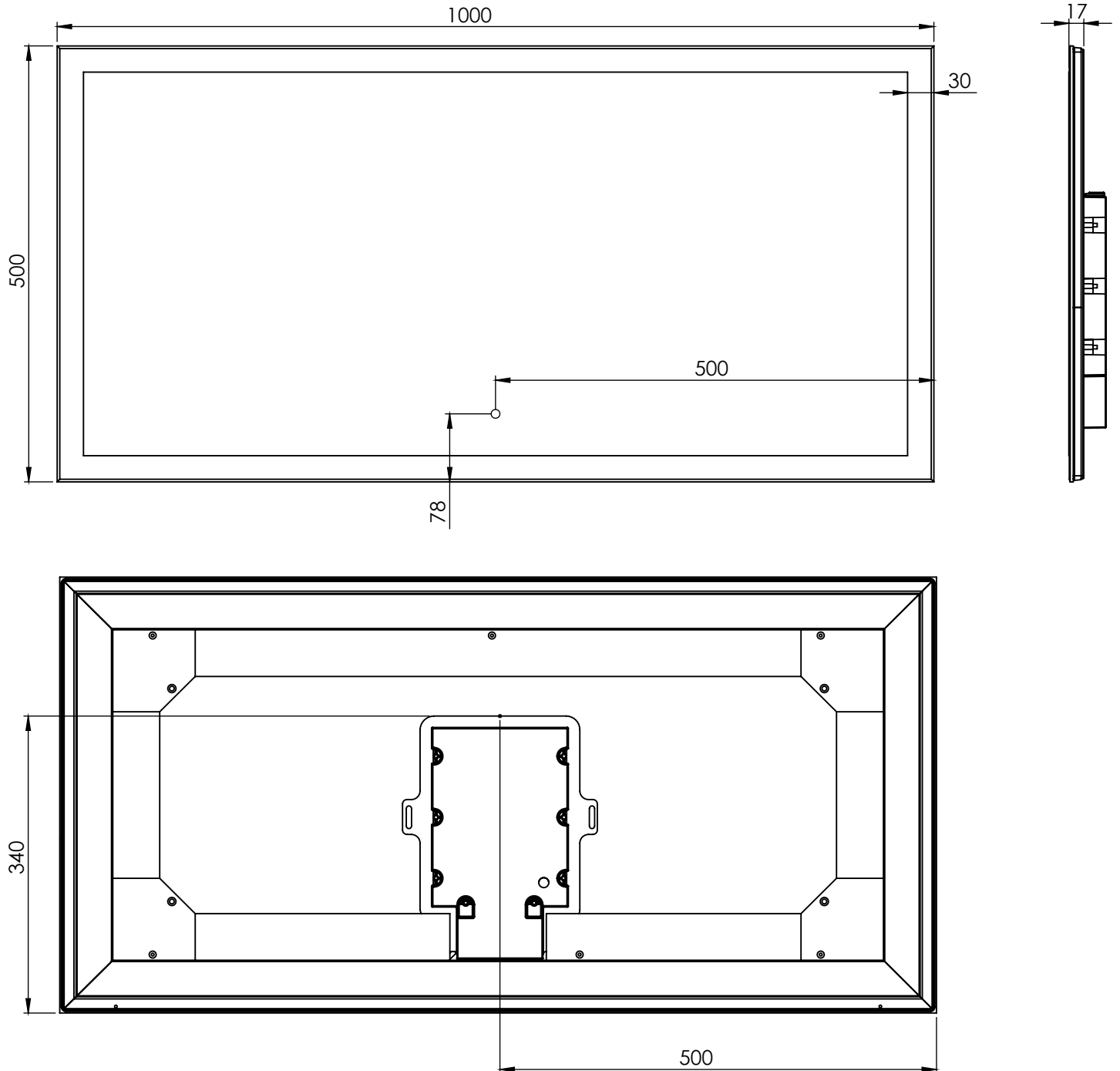


## Dimensions - 900x700mm



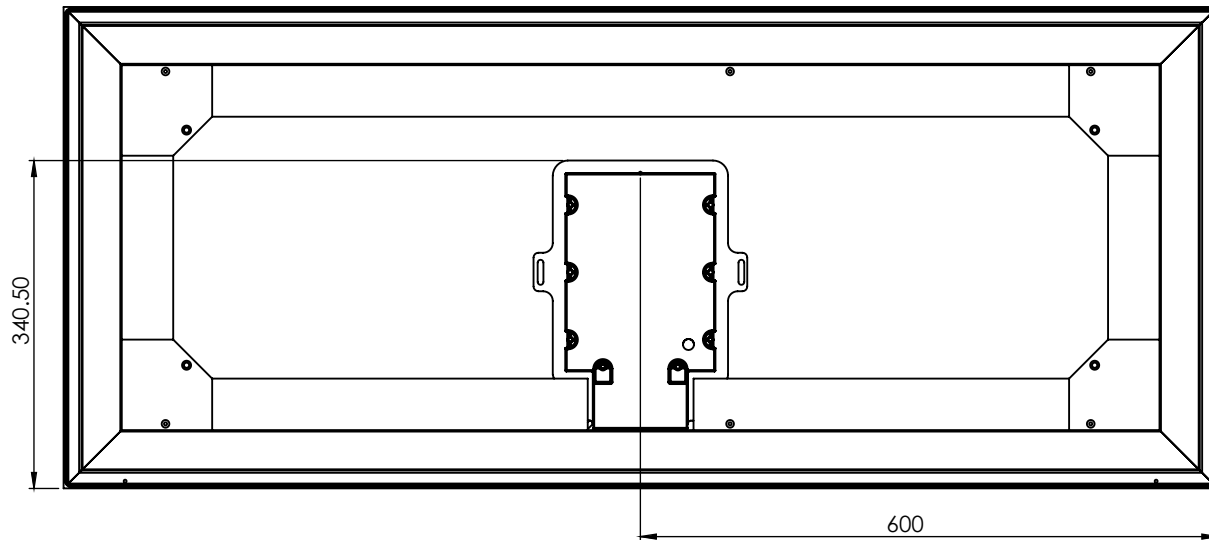
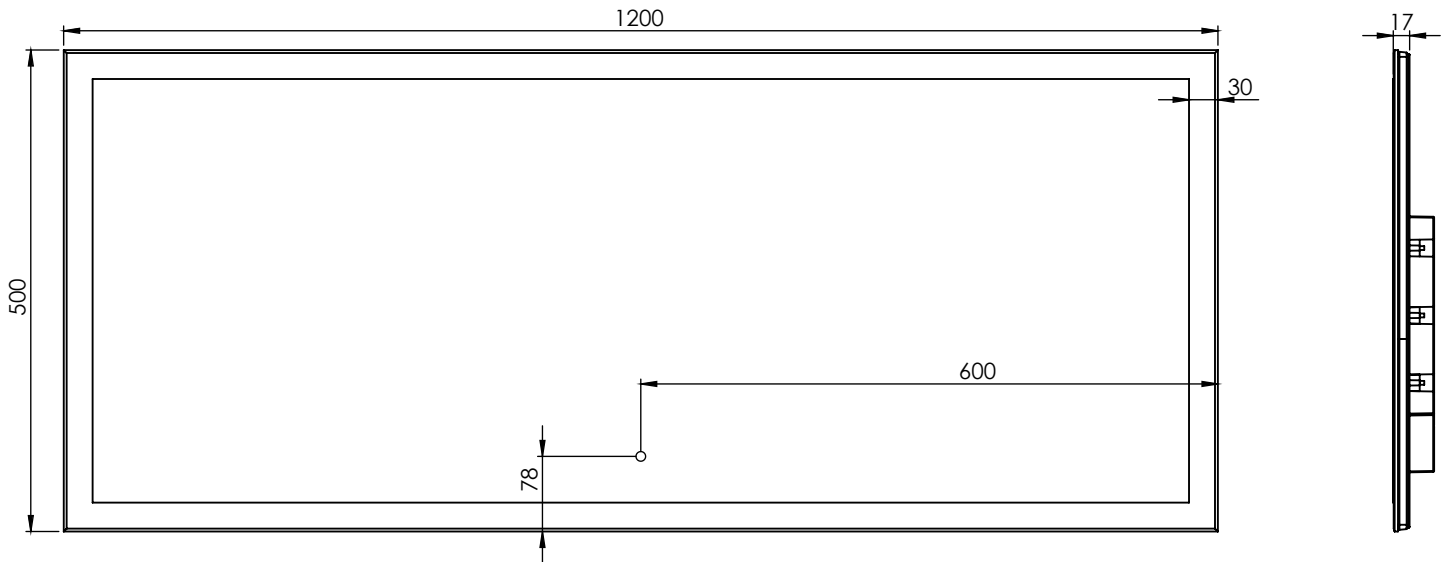
## Dimensions - 1000x500mm

Diagrams not to scale  
All dimensions in mm  
tolerance of +/- 5mm



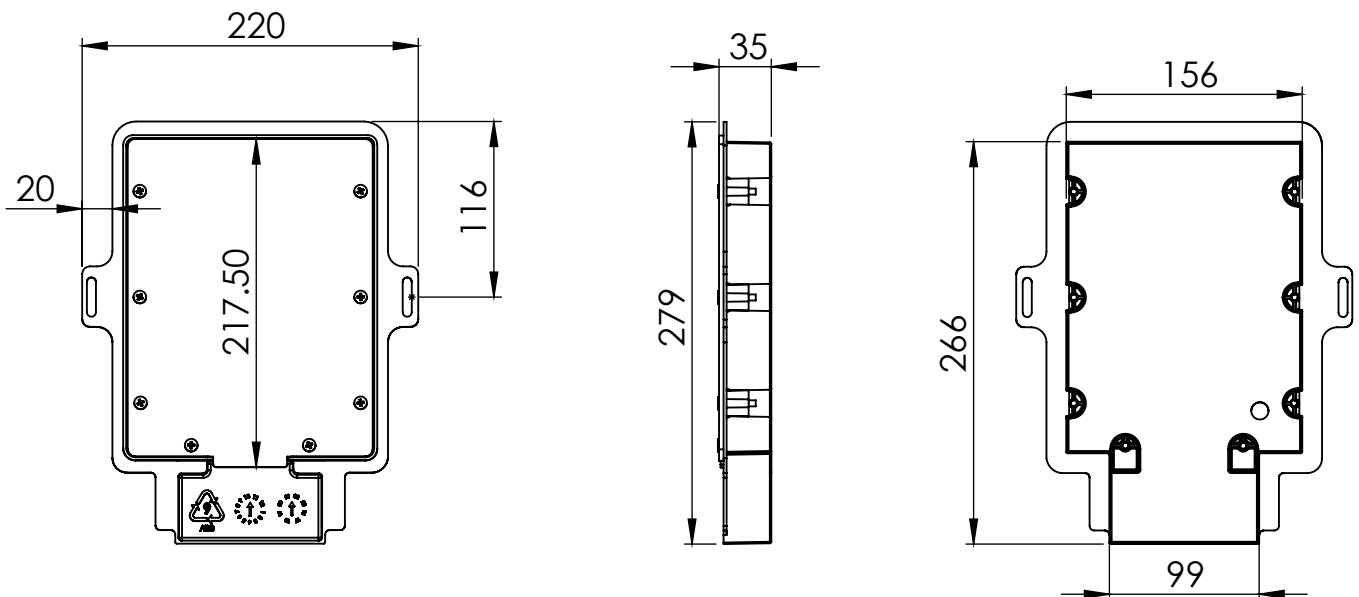
## Dimensions - 1200x500mm

Diagrams not to scale  
All dimensions in mm  
tolerance of +/- 5mm



## Dimensions - components box

Diagrams not to scale  
All dimensions in mm  
tolerance of +/- 5mm



## FAQ's

Q. Is the mirror IP44 rated?

A. Yes, it can be placed in zone 2.

Q. Can the mirror be hung portrait and lanscape?

A. Yes.

Q. What size fuse should I use?

A. We cannot recommend fuse sizes as each installation is different a qualified Electrician should be consulted in accordance with IEE7671.

Q. Is the mirror fitted with a mains cable?

A. Yes, the cable length is 500mm.

Q. What is the wattage of the light?

A. 700x500 = 19.68Watts ; 800x600= 23.52Watts ; 900x700= 27.36Watts ; 1000x500= 25.44Watts ; 1200x500= 29.28Watts

Q. What is the output of the demister pad?

A. 700x500 = 34.88Watts ; 800x600= 34.88Watts ; 900x700= 45Watts ; 1000x500= 52.5Watts ; 1200x500= 52.5Watts

Q. Can the LED lighting be replaced?

A. Yes, we offer spares and instructions on how to replace them.

Q. Does the mirror have an energy rating?

A. The mirror has an energy rating for the LED lighting used only in accordance with EU 874-2012. LED's used in this products are rated as 'A'.

Q. What is the thickness of the mirror glass?

A. 5mm and it is film backed for additional safety.

Q. Does the mirror have a shaver socket?

A. No

## FAQ's

Q. Where is the IR sensor located?

A. It is centered at the bottom of the 1000 and 1200 mirrors and centered at the bottom portrait position of the 700, 800 and 900 (right hand side centered if landscaped). See drawings.

Q. Can the IR sensor be re-positioned?

A. No

Q. How do I turn on the demister pad?

A. The demister pad is activated when the light on the mirror is turned 'ON'. Once the light is turned 'OFF' the demister pad is switch off.

Q. How do you fix the mirror to the wall?

A. Refer to enclosed instructions for further details.

Q. Which is the mains cable entry located?

A. Power is routed into separate electronics box. Refer to above drawings.