



TU50AL Tune



CP65AL Compose

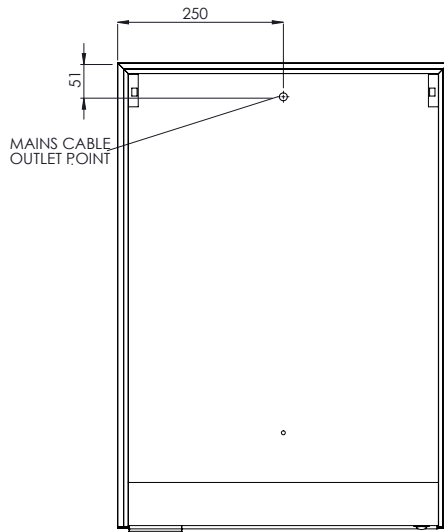
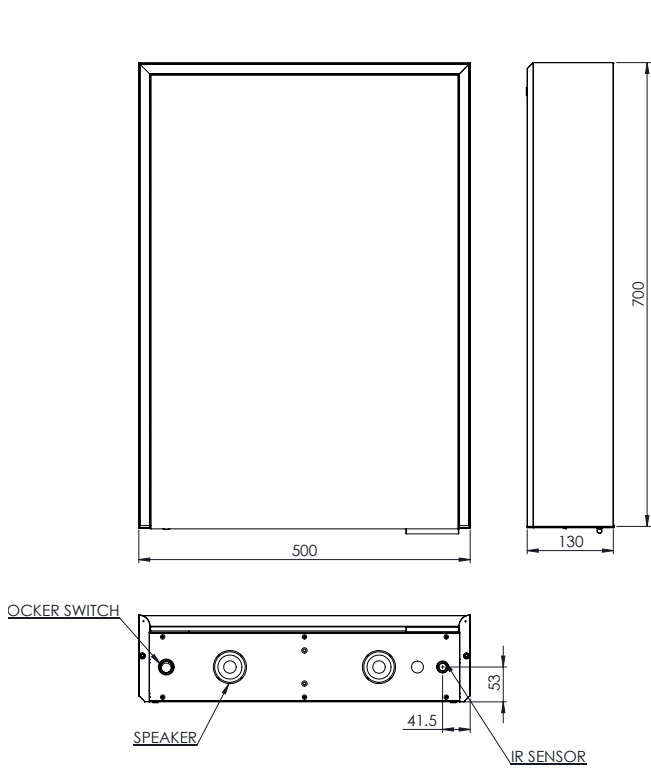
Features

- Bluetooth Audio System
- LED Technology
- IR Sensor
- Shaver Socket
- Double Sided Mirror Door
- 2 x Fully Adjustable Shelves
- Soft Close Hinges
- Aluminium Construction
- IP44 Rated

Dimensions - Tune

Shelf Size: 460 x 90 x 5 mm

Internal Dimensions: 468 x 558 x 92mm

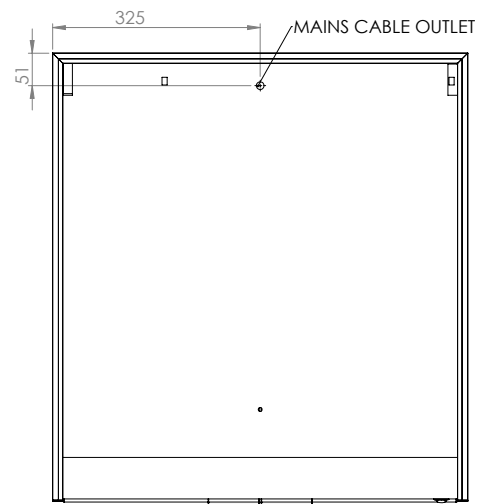
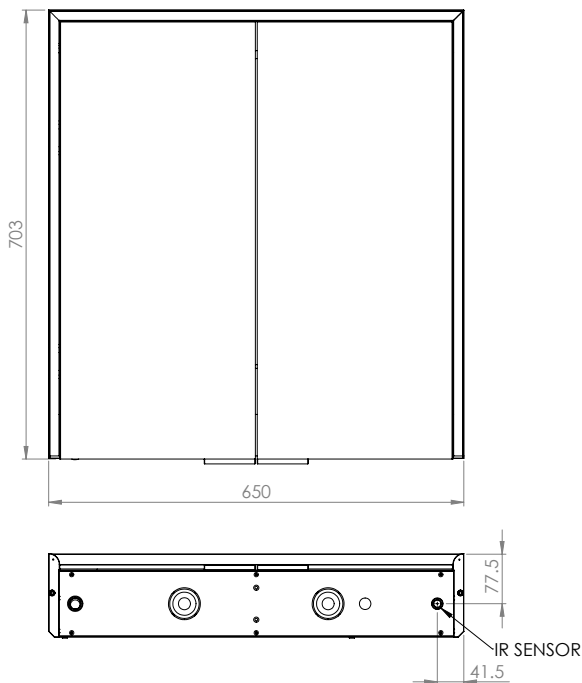


Diagrams not to scale
All dimensions in mm
tolerance of +2mm

Dimensions - Compose

Shelf Size: 610 x 90 x 5mm

Internal Dimensions: 618 x 558 x 92mm



FAQ (Applies to all Cabinets)

Is the Cabinet IP44 rated? Yes it can be placed in Zone 2.

Can the doors be adjusted? Yes refer to installation instruction provided with product

What is the thickness of the mirror glass door? 6mm and it is double sided mirror.

Can the mirror doors be reversed? No

What size fuse should I use? We cannot recommend fuse size as each installation is different a qualified Electrician should be consulted in accordance with IEE 7671

Is the cabinet fitted with a mains cable? Yes the cable length is 500mm.

What is the wattage of the light? Tune=18 Watts Compose = 19.8 Watts

What is the wattage of the Bluetooth Module? Tune=20 Watts Compose = 20 Watts

Can the LED lighting be replaced? Yes we offer spares and instruction on how to replace them.

Does the cabinet have an energy rating? The mirror has an energy rating for the LED lighting used only in accordance with EU 874-2012. This LED's used in this product are rated is 'A'.

Does the Cabinet have a shaver socket? Yes it is located in the top right hand corner of the cabinet.

How do I operate the shaver socket? There is a rocker switch to the left of the shaver socket

Where is the IR sensor located? Refer to above drawing

Can the IR sensor be re-positioned? No

How do you fix the Cabinet to the wall? The cabinet is installed with adjustable wall brackets please refer to installation instructions for more information.

What are the locations of the wall bracket fixtures? Please refer to the above drawing for approximate locations.

Where is the mains cable entry located? Refer to above drawing.

How many Glass shelves does the cabinet have? 2x For size please refer to above drawing.

Are the shelves adjustable? Yes they can be positioned to any height adjusting the shelve bracket screw.

What are the internal dimensions of the cabinet? Please refer to above drawing.