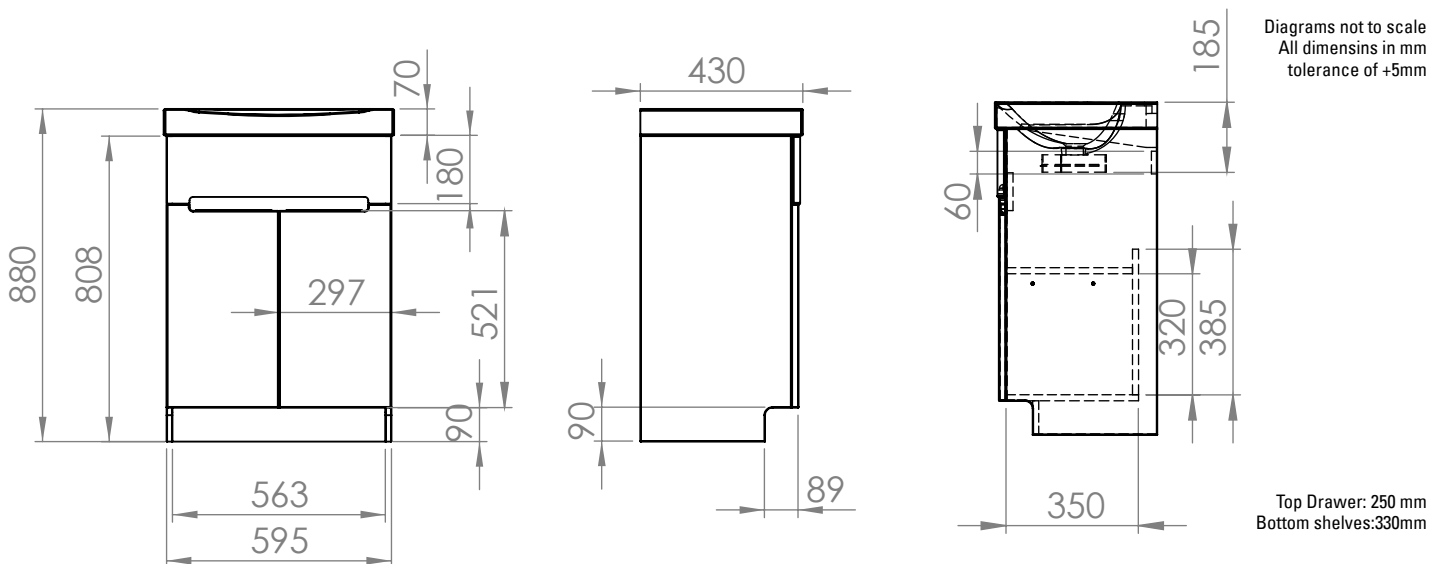


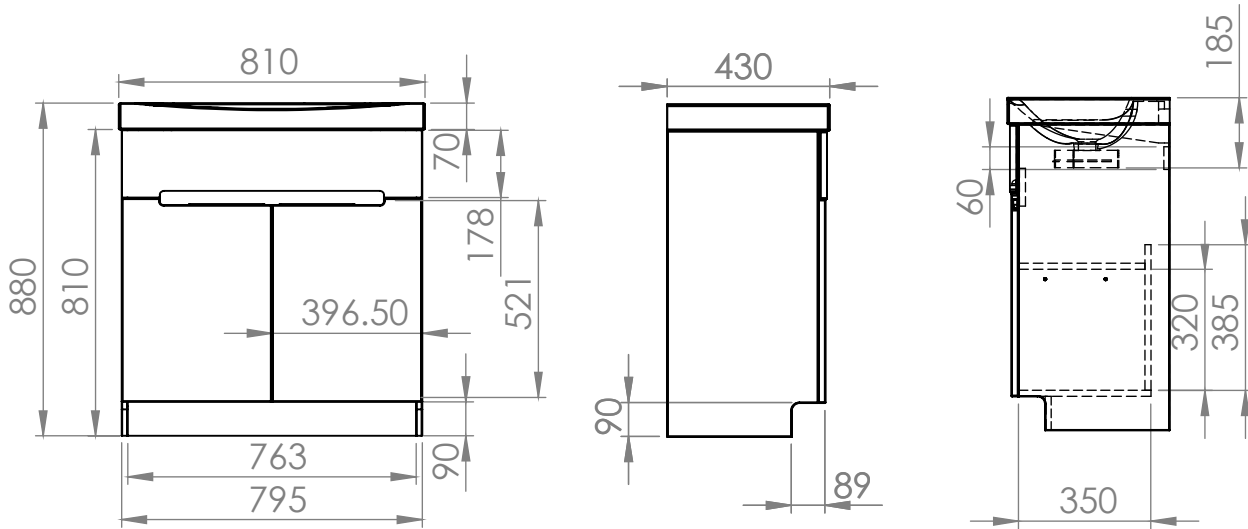
No.	Description	Code	Fixings Included
1	600 Diverge Drawer Unit	DIV6FW/CE/AE	No
2	800 Diverge Drawer Unit	DIV8FW/CE/AE	No
3	1000 Diverge Drawer Unit	DIV10FW/CE/AE	No
4	1200 Diverge Column	PURCMIR12W/CE/AE	Wallmounted Brackets



Dimensions - Diverge 600



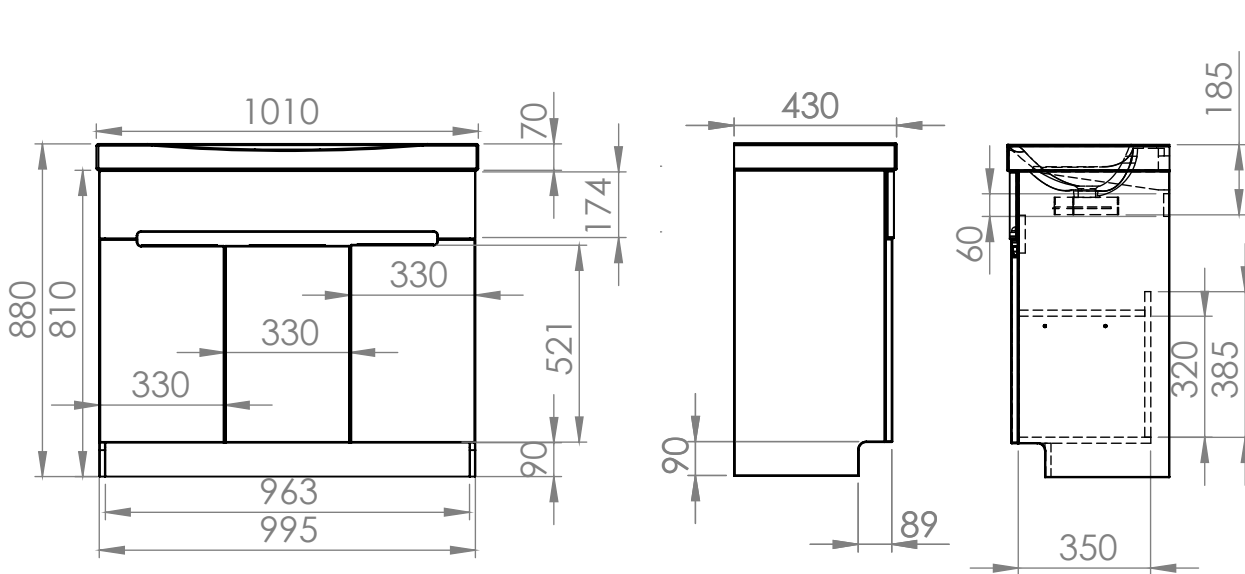
Dimensions - Diverge 800



Diagrams not to scale
All dimensions in mm
tolerance of +5mm

Top Drawer: 250 mm
Bottom shelves: 330mm

Dimensions - Diverge 1000



Diagrams not to scale
All dimensions in mm
tolerance of +5mm

Top Drawer: 250 mm
Bottom shelves: 330mm

No.	Description	Code	Fixings Included
1	800 Diverge Wall Mounted Unit	DW800W/CE/AE	Wallmounted Brackets
2	1000 Diverge Wall Mounted Unit	DW1000W/CE/AE	Wallmounted Brackets
3	1200 Diverge Column	PURCMIR12W/CE/AE	Wallmounted Brackets Shelf Clips



Soft close runners
With rails

Drawer top recessed
chrome handle

Worktops and vessel
option (supports required)

Finishes Available



Gloss White



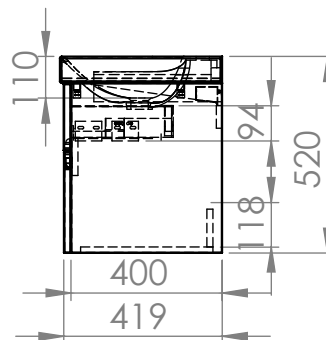
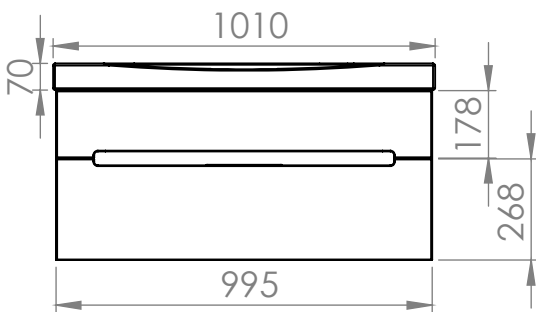
Charcoal Elm



Alpine Elm

*Basin Not Included
*Grain on side panels
vertical, front panels
are horizontal.

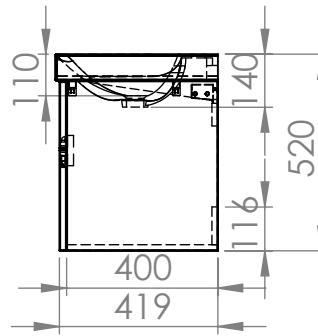
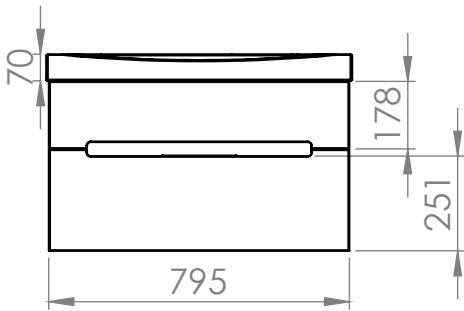
Dimensions - Diverge 1000



Diagrams not to scale
All dimensins in mm
tolerance of +5mm

Top Drawer: 250 mm
Bottom shelves: 330mm

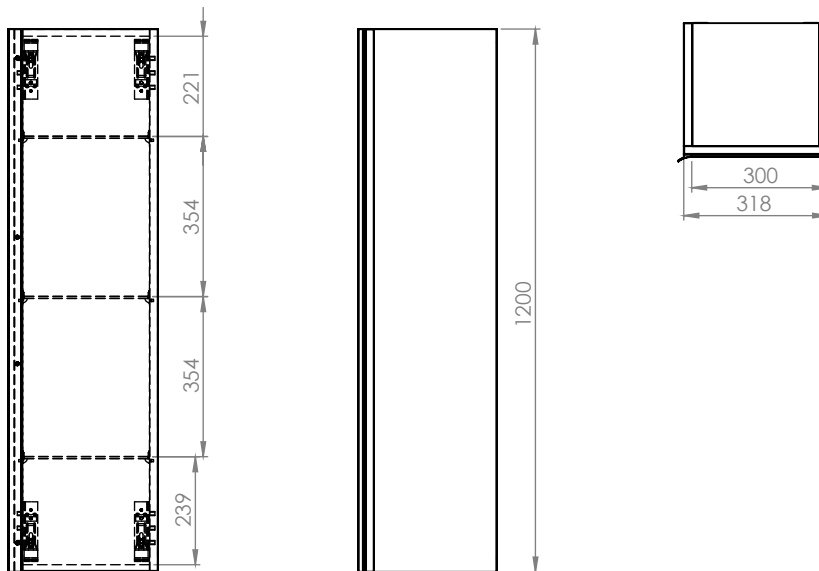
Dimensions - Diverge 800



Diagrams not to scale
All dimensions in mm
tolerance of +5mm

Top Drawer: 250 mm
Bottom shelves: 330mm

Dimensions - Diverge 1200 Wall Column



Diagrams not to scale
All dimensions in mm
tolerance of +5mm

FAQ's

Q. Are any components shared?

- A. -Hangers for column are new
-Column glass shelf supports same as Vista
-WM unit hangers are the same as Vista, Cypher, Moment
-Runners are the same as used on Vista and Cypher

Q. Are the worktops pre-drilled?

- A. No. These can be cut using standard woodmaking tools

Q. Are the handles pre-fitted?

- A. Yes and are glued in place so replacements need to be complete doors/drawer fronts.

Q. I cannot do vertical adjustment on column hangers

- A. Remove the column from the wall loosen hangers from the back. Mount back on brackets and adjust.

Q. How do you reverse the door on the column?

- A. Turn the column upside-down. There are hangers on the top and bottom.

FAQ's

Q. How do I use the worktop with the WM units

A. This is supplied as a kit with 2 x support rails and worktop. The rails fix into the pilot holes in the side panels. The worktop should then be situated to the side panels and rails.

Q. Are the hinges different on the 1000FM?

A. Yes, the middle door is on cranked hinges.

Q. Are the shelves removable?

A. On 600 and 800 FM - Yes. On the 1000 FM, the LH and RH shelf are removable. Central shelf is not as required for structural stability.