

## Installation Procedure:

### Before You Start

It is recommended that the unit and basin are secured to a suitably reinforced wall to ensure stability. The wall plugs supplied are only suitable for solid stone/brick walls. For plasterboard walls use specialist wall plugs along with supplementary wall strengthening as units can be very heavy. Seek advice from a specialist about the suitability of fixings to be used.

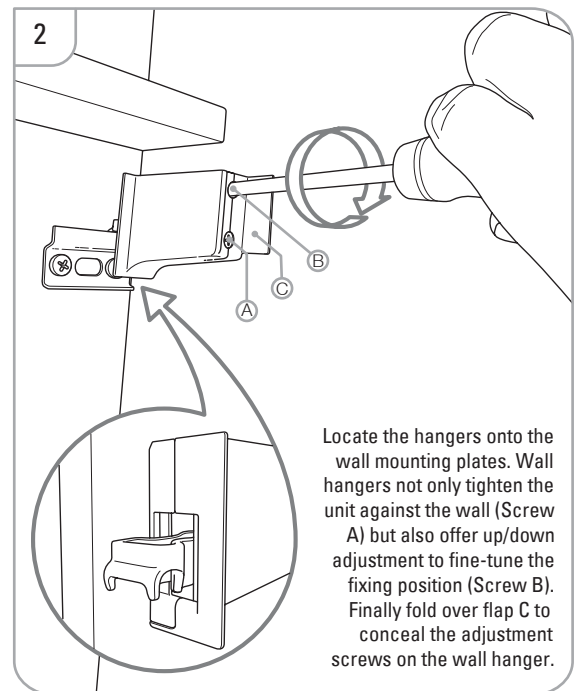
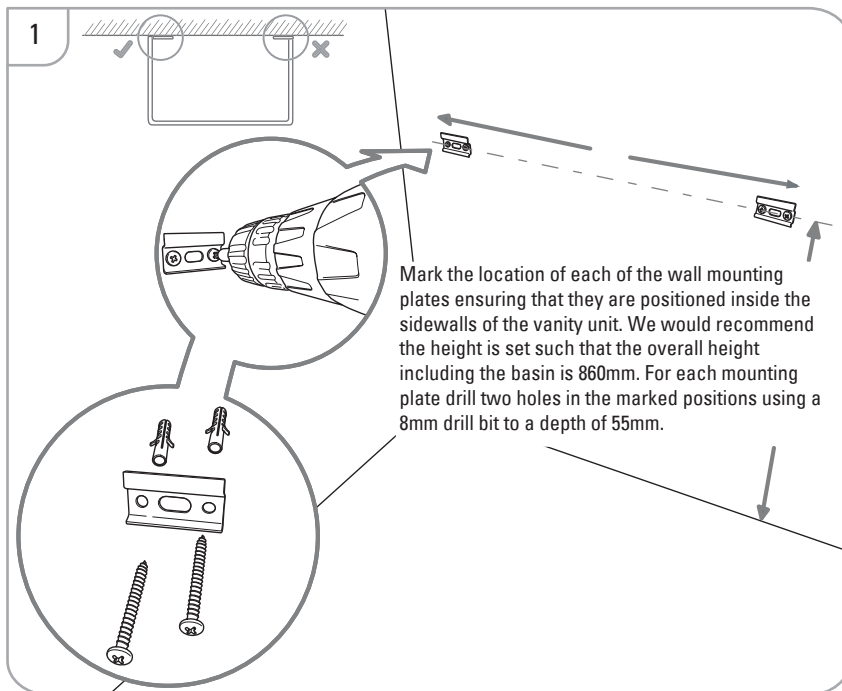
Wear suitable eye protection when drilling. Take care when using power tools near water - the use of a residual current device (RCD) is recommended. Beware of hidden pipes or cables. Take care when drilling tiled surfaces as the drill might slip. Use a piece of masking tape to prevent the drill from wandering.

### Optional plinth

The unit is supplied with a plinth box. The use of this is optional giving the choice of a wallmounted or floormounted look.

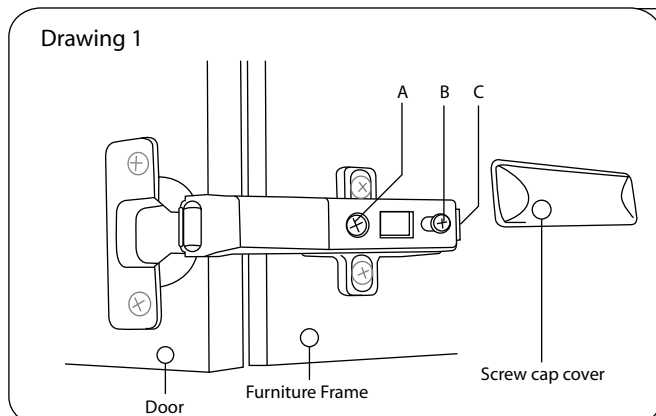
If the plinth is not used we recommend that the unit is also secure to the wall at the base (as well as the top) using corner brackets or similar (not supplied)

If the plinth is required (For a floormounted unit). We recommend that this is installed prior to fixing the unit to the wall. a) Carefully turn the unit upside-down onto a flat and soft surface. b) Fix plinth box into place using the dowels supplied. c) Turn unit the correct way up. d) Locate in desire location and then fix to the wall using the wall brackets as below:



### Hinge Adjustment

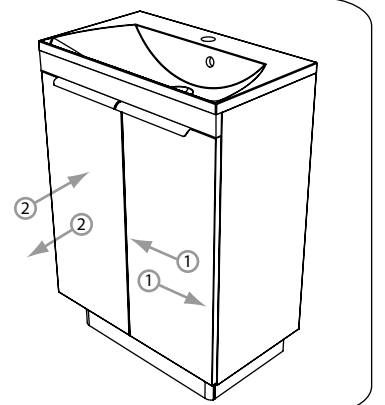
Hinges may require adjustment for correct door alignment. This is achieved with the adjustable soft close hinges using the adjustment screws A and B (see Drawing 1). To access these you will first have to remove the screw cap cover. The hinges also feature a quick release mechanism to quickly and easily detach the door from the furniture frame, this is activated by pressing button C (see Drawing 1).



Drawing 2

To make adjustment 1 (see Drawing 2) tighten/loosen adjustment screw A.

To make adjustment 2 (see Drawing 2) loosen adjustment screw B and then slide the hinge into the required position

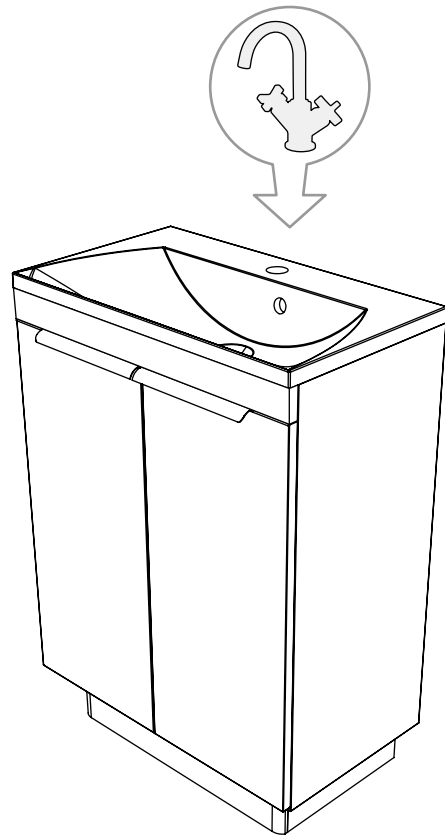


## Installation Procedure:

### Fitting basin

The basin should just be placed onto the unit as shown.

The taps should be attached and plumbed in prior to sealing the basin in place using silicone sealant (not supplied)



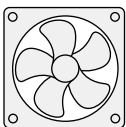
## FURNITURE AFTERCARE INSTRUCTIONS

As with all wooden furniture, this product should be treated with care. If any part of the units is cut during installation it must be re-sealed with an appropriate waterproof sealant

### We recommend...



Wipe away any water splashes or condensation after use. Excessive exposure to water will deteriorate the furniture.



All bathrooms should be well ventilated with a suitable extractor fan.



Clean with a soft damp cloth only.



Use a wax free polish if one must be used.

For removal of lime scale deposits use a suitable proprietary cleaner. If necessary test on an inconspicuous area first.

### Please DO NOT...



Do not scrub or scour



Do not use abrasive cleaning agents

### Replacement components

Should you require any replacement components for this product please contact Roper Rhodes Ltd using the contact details below.

### Replacement Components

Should you require any replacement components for this product please contact Roper Rhodes using the contact details below.