

No.	Description	Code	Fixings Included	Gross Weight	Net Weight
1	Zest Cistern inc. Flush Fitting & Lid	ZCCTNK	YES	-	-
2	Zest Soft Close Seat	ZSCTS50	YES	-	-
3	Zest Close Coupled Pan	ZCCPAN65	YES	-	-

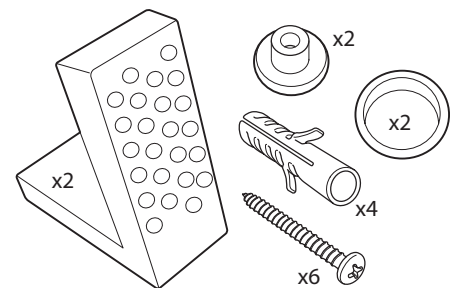


### Cistern Flush Settings:

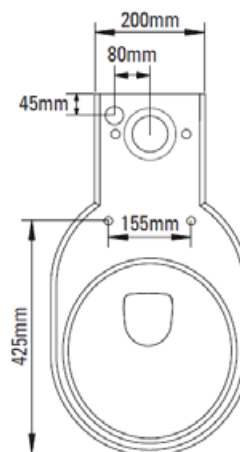
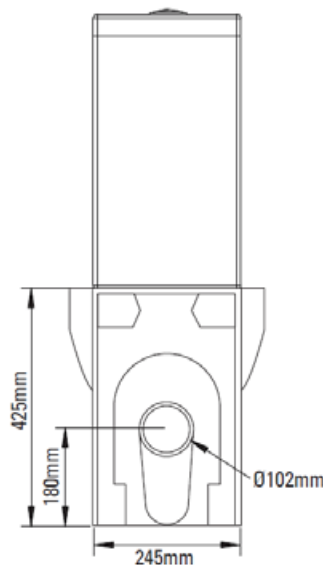
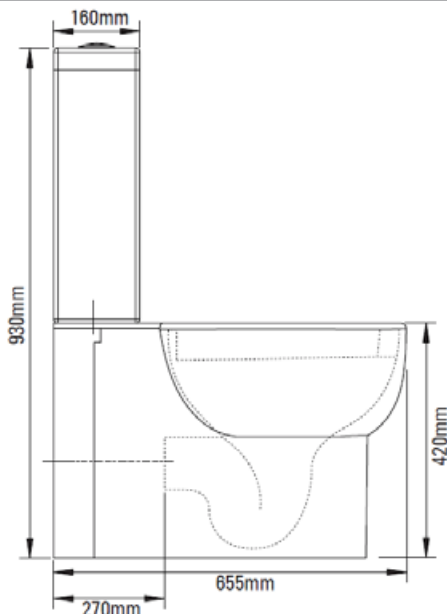
Full Flush volume : 6L

Reduced Flush volume : 3L

### Floor Fixing Kit:



## Dimensions



Diagrams not to scale  
All dimensions in mm  
tolerance of +/- 5mm

## FAQ's

What side is the inlet located? **Left hand side.**

Are there any other compatible seats? **No.**

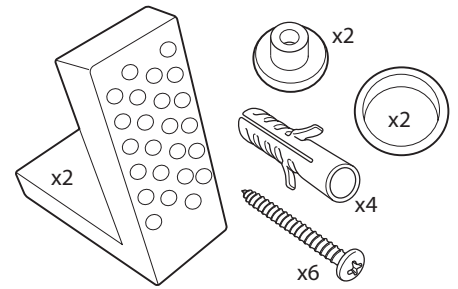
Can this pan be used with a side connection outlet pipe? **No.**

The cistern lid won't shut/the cistern isn't working correctly. **Ensure the inlet and flush valves are set to the correct heights.**

No.	Description	Code	Fixings Included	Gross Weight	Net Weight
1	Zest Seat	ZSCTS50	YES	-	-
2	500mm Zest BTW Pan	ZBWPN50	YES	-	-

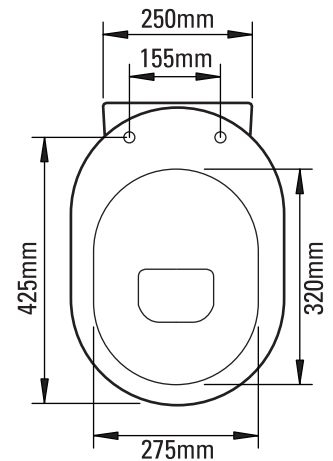
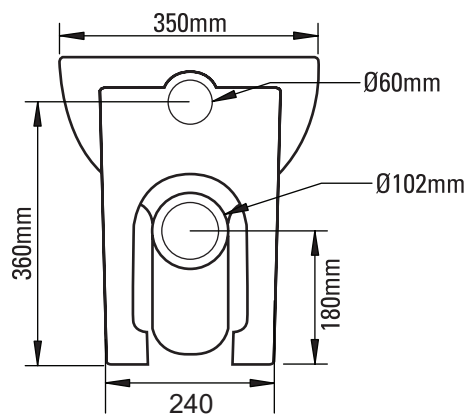
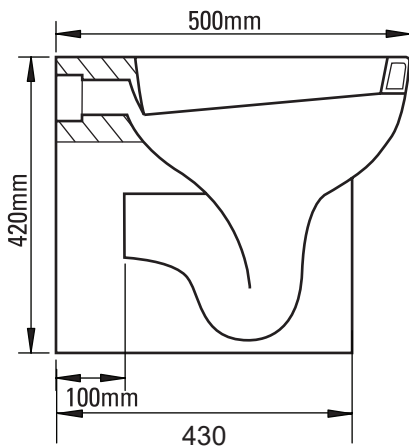


### Floor Fixing Kit:



## Dimensions

Diagrams not to scale  
All dimensions in mm  
tolerance of +/- 5mm



## FAQ's

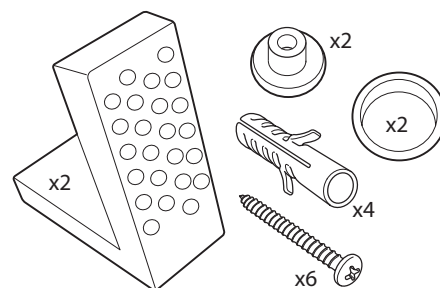
Are there any other compatible seats? **No.**  
Box dimensions h/w/d? **460mm x 595mm x 410mm**

Seat/Lid Front to Back	447mm/455mm
Seat/Lid Left to Right	339mm/350mm
Ring Hole Front to Back	265mm
Ring Hole Left to Right	230mm
Seat Overall Thickness	40mm
Min/Max Adjust. for Fittings	110-175mm

No.	Description	Code	Fixings Included	Gross Weight	Net Weight
1	Zest Seat	ZSCTS45	YES	-	-
2	450mm Zest BTW Pan	ZBWPN45	YES	-	-

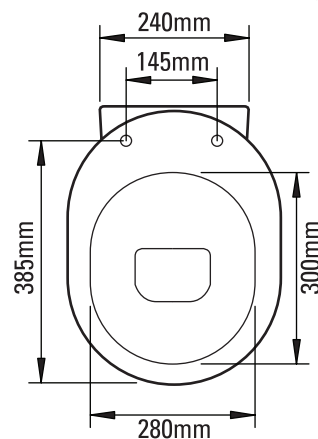
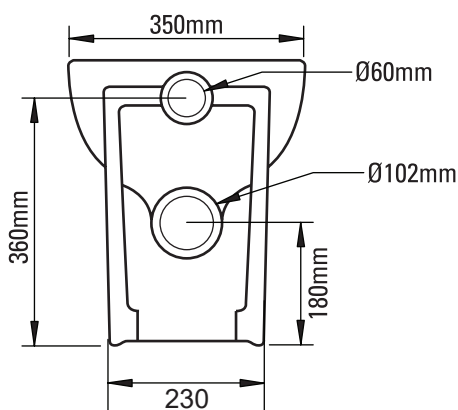
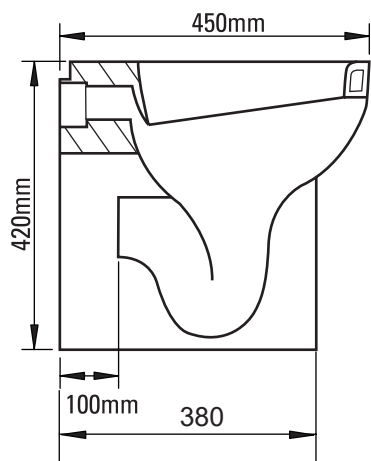


### Floor Fixing Kit:



## Dimensions

Diagrams not to scale  
All dimensions in mm  
tolerance of +/- 5mm



## FAQ's

Are there any other compatible seats? **No.**

Seat/Lid Front to Back	368mm/475mm
Seat/Lid Left to Right	348mm/360mm
Ring Hole Front to Back	253mm
Ring Hole Left to Right	233mm
Seat Overall Thickness	40mm
Min/Max Adjust. for Fittings	80-185mm

No.	Description	Code	Fixings Included	Gross Weight	Net Weight
1	Zest Seat	ZSCTS50	YES	-	-
2	450mm Zest Wall Hung Pan	ZWHPAN50	YES	-	-

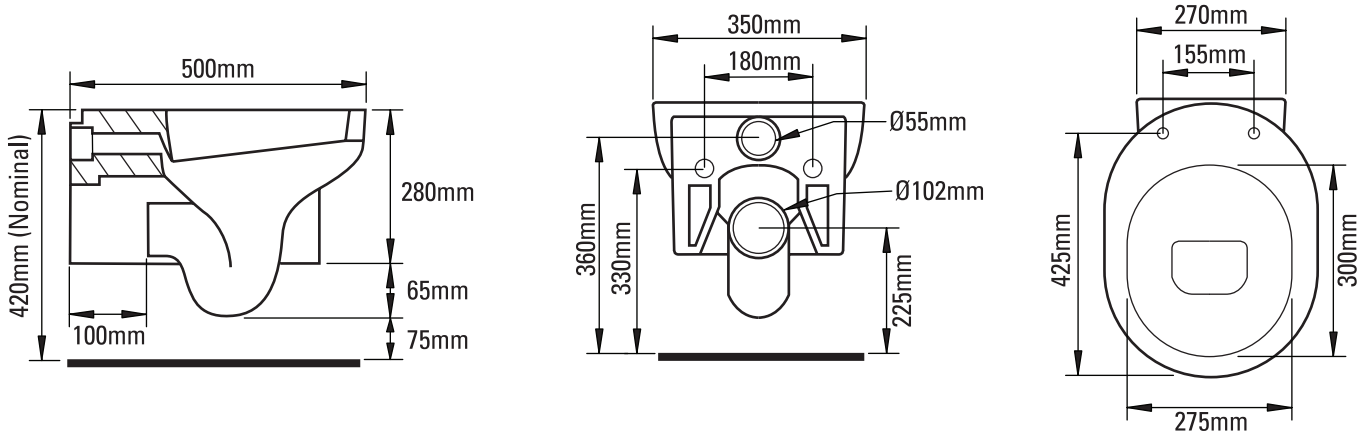


### Wall Fixing Kit:



## Dimensions

Diagrams not to scale  
All dimensions in mm  
tolerance of +/- 5mm



## FAQ's

Are there any other compatible seats? **No.**

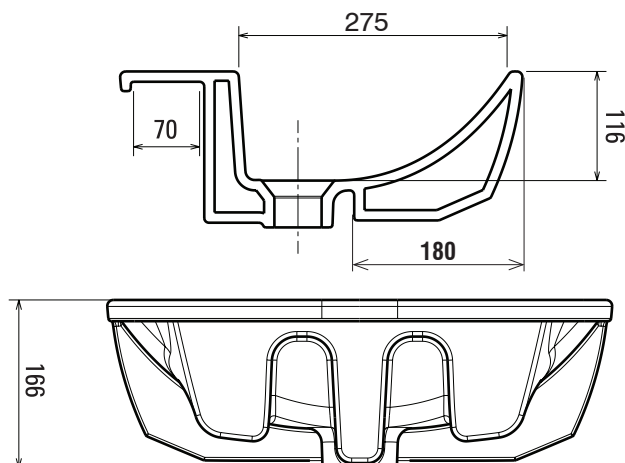
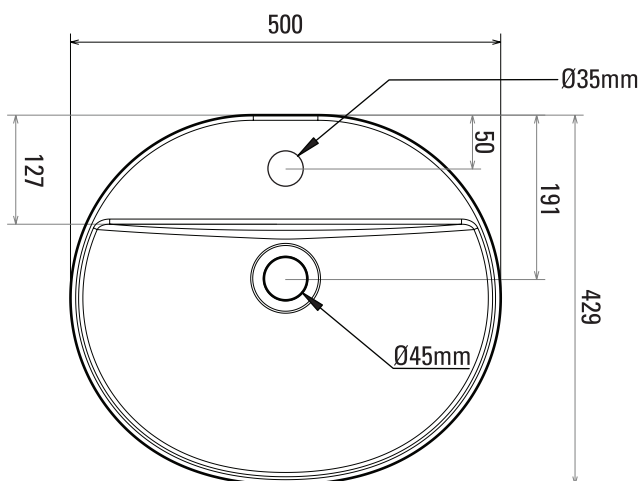
Seat/Lid Front to Back	447mm/455mm
Seat/Lid Left to Right	339mm/350mm
Ring Hole Front to Back	265mm
Ring Hole Left to Right	230mm
Seat Overall Thickness	40mm
Min/Max Adjust. for Fittings	110-175mm

No.	Description	Code	Fixings Included	Gross Weight	Net Weight
1	Zest 500mm Semi-Countertop Basin	Z3SCBAS	YES	-	-



## Dimensions

Diagrams not to scale  
All dimensions in mm  
tolerance of +/- 5mm



## FAQ's

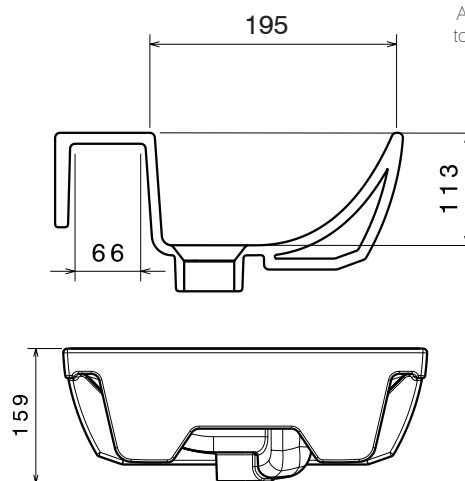
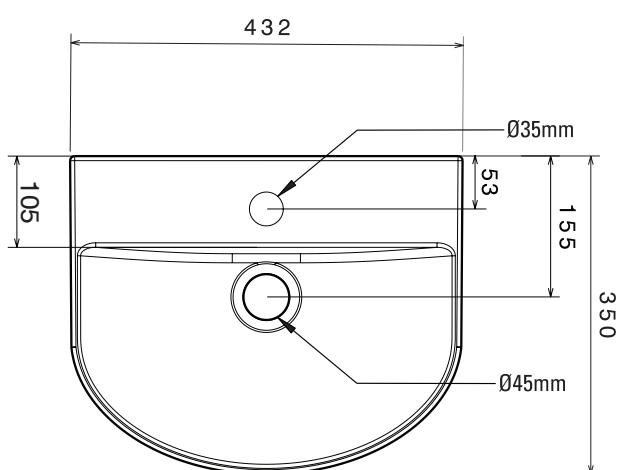
Depth of basin up to overflow? **70mm.**  
How much water does this basin hold? **4 Litres.**  
Is there a cutting template supplied? **Yes.**  
Bowl internal: front to back? **275mm.**  
Bowl internal: left to right? **320mm.**

Internal depth	70mm
Internal Front to back	285mm
Internal Left to Right	460mm
Tapledge	125mm
Taphole centre to waste centre	125mm
Taphole/waste centre to closest side	240mm
Taphole/waste centre to furthest side	240mm
Waste centre to back of basin	180mm
Basin belly	180mm
Rim thickness	20mm

No.	Description	Code	Fixings Included	Gross Weight	Net Weight
1	Zest 435mm Slim Semi-Countertop Basin	Z2SCBAS	YES	-	-



## Dimensions



Diagrams not to scale  
All dimensions in mm  
tolerance of +/- 5mm

## FAQ's

Depth of basin up to overflow? **70mm**

How much water does this basin hold? **2.5 Litres**

Is there a cutting template supplied? **Yes.**

Bowl internal: front to back? **195mm.**

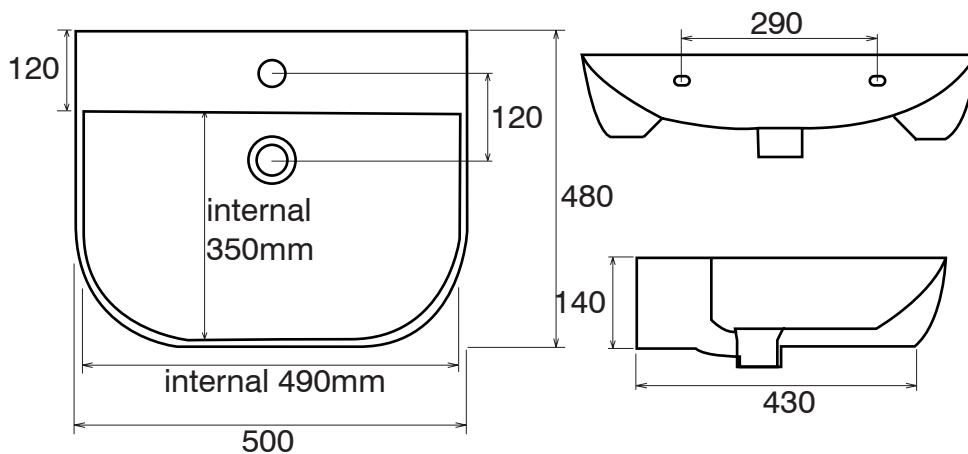
Bowl internal: left to right? **300mm.**

No.	Description	Code	Fixings Included	Gross Weight	Net Weight
1	Zest 500mm Wall hung Basin	Z50SB	YES	-	-



## Dimensions

Diagrams not to scale  
All dimensions in mm  
tolerance of +/- 5mm



## FAQ's

Depth of basin up to overflow? **73mm**

Tapledge width? **120mm**

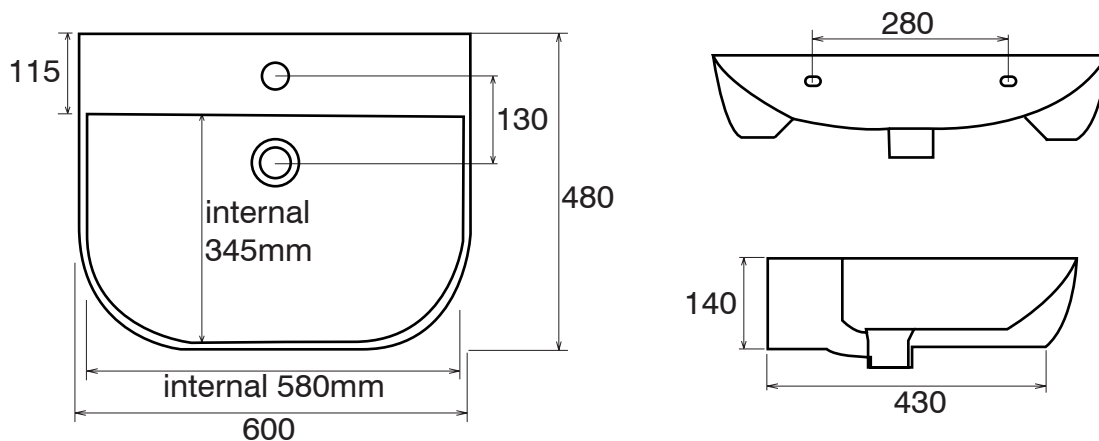
Taphole to centre? **120mm**

No.	Description	Code	Fixings Included	Gross Weight	Net Weight
1	Zest 600mm Wall hung Basin	Z60SB	YES	-	-



## Dimensions

Diagrams not to scale  
All dimensions in mm  
tolerance of +/- 5mm



## FAQ's

What is the depth of the bowl up to overflow? **70mm**  
 Tapledge width? **115mm**  
 Taphole to centre? **130mm**

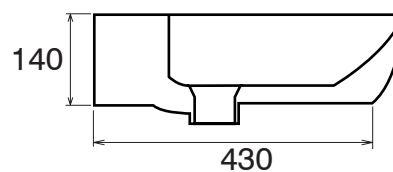
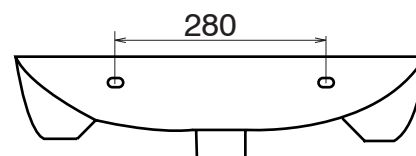
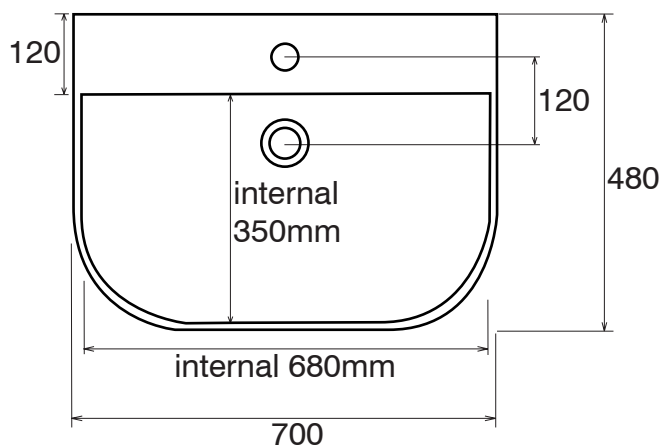


No.	Description	Code	Fixings Included	Gross Weight	Net Weight
1	Zest 700mm Wall hung Basin	Z70SB	YES	-	-



## Dimensions

Diagrams not to scale  
All dimensions in mm  
tolerance of +/- 5mm



## FAQ's

What is the depth of the bowl up to overflow? **70mm**

Tapledge width? **120mm**

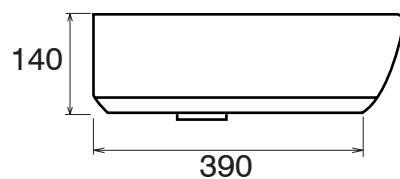
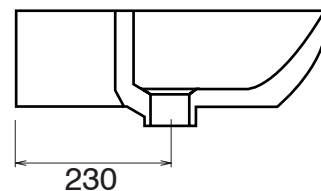
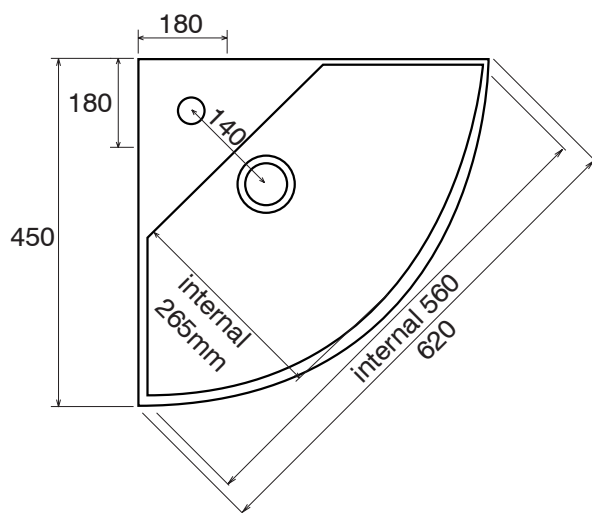
Tap hole to centre? **120mm**

No.	Description	Code	Fixings Included	Gross Weight	Net Weight
1	Zest 450x450mm Wall hung Corner Basin	Z45CB	YES	-	-



## Dimensions

Diagrams not to scale  
All dimensions in mm  
tolerance of +/- 5mm



## FAQ's

What is the depth of the bowl up to overflow? **70mm**

Tapledge width? **165mm**

Taphole to waste centre? **140mm**

Front of taphole to shelf edge? **55mm**