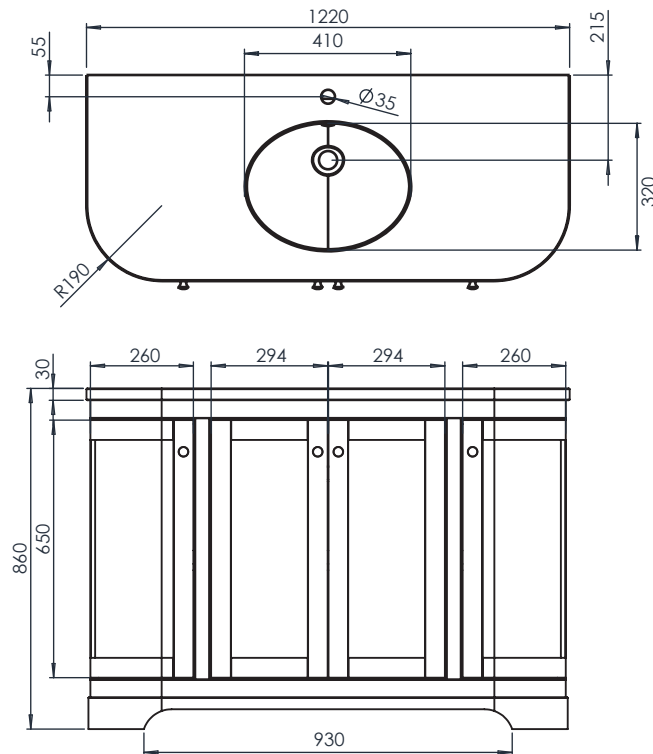


Technical Data Sheet

ROPER RHODES®

Widcombe 1200 Curved Unit

What's in the box: 1x WMB13064 or WMB13065 or WMB13069 or WMB13109 + Handle



*Reference basin TDS for further info

Diagrams not to scale
All dimensions in mm
Tolerance of +/-5mm

Materials

Carcass: Painted MDF & Pine
Fascia Components: Painted MDF

**Dimensions are subject to change, customers are advised to measure actual product before commencing installation.
***Fixing point dimensions are for guidance only/the positions of wall fixing must be checked when product is received.

FAQs

- | | |
|---|--|
| Q: How big is the plumbing void? | A: 60mm. |
| Q: Is the handle fitted? | A: No, handle needs fixing. Hole is pilot holed & requires drilling. |
| Q: Are the hinges soft close? | A: The hinges are both soft close and quick release. |
| Q: How deep is the unit with door open? | A: Approx 700mm at 90°. |
| Q: What is the overall width of unit with doors open? | A: Approx 1730mm |
| Q: Can the doors be adjusted? | A: The door can be adjusted as detailed in the supplied instructions |
| Q: Is the shelf removable? | A: No. |
| Q: What is the shelf capacity? | A: Shelf maximum depth: 417mm. |
| Q: How many shelves are there? | A: There is three shelf and a base within the unit. |
| Q: What is the interior finish of the unit? | A: The unit interior is the same finish as the exterior. |
| Q: What basin options are available? | A: 1 bowl and 2 bowl options are available on the 1200 unit. |

NOTE: Colours unique to Roper Rhodes - No RAL Code available