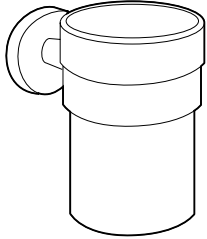
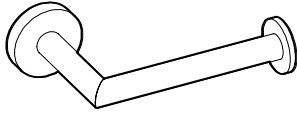


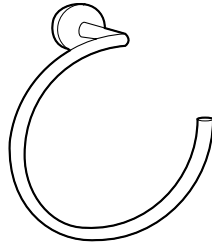
No.	Description	Code	Fixings Included
1	Venue	4716.02/4718.02/4720.02/4722.02/2724.02	



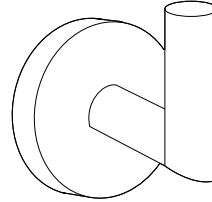
4716.02 Toothbrush holder



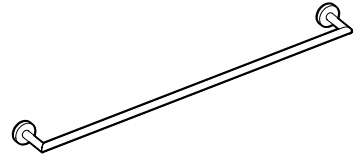
4718.02 Toilet roll holder



4722.02 Towel ring



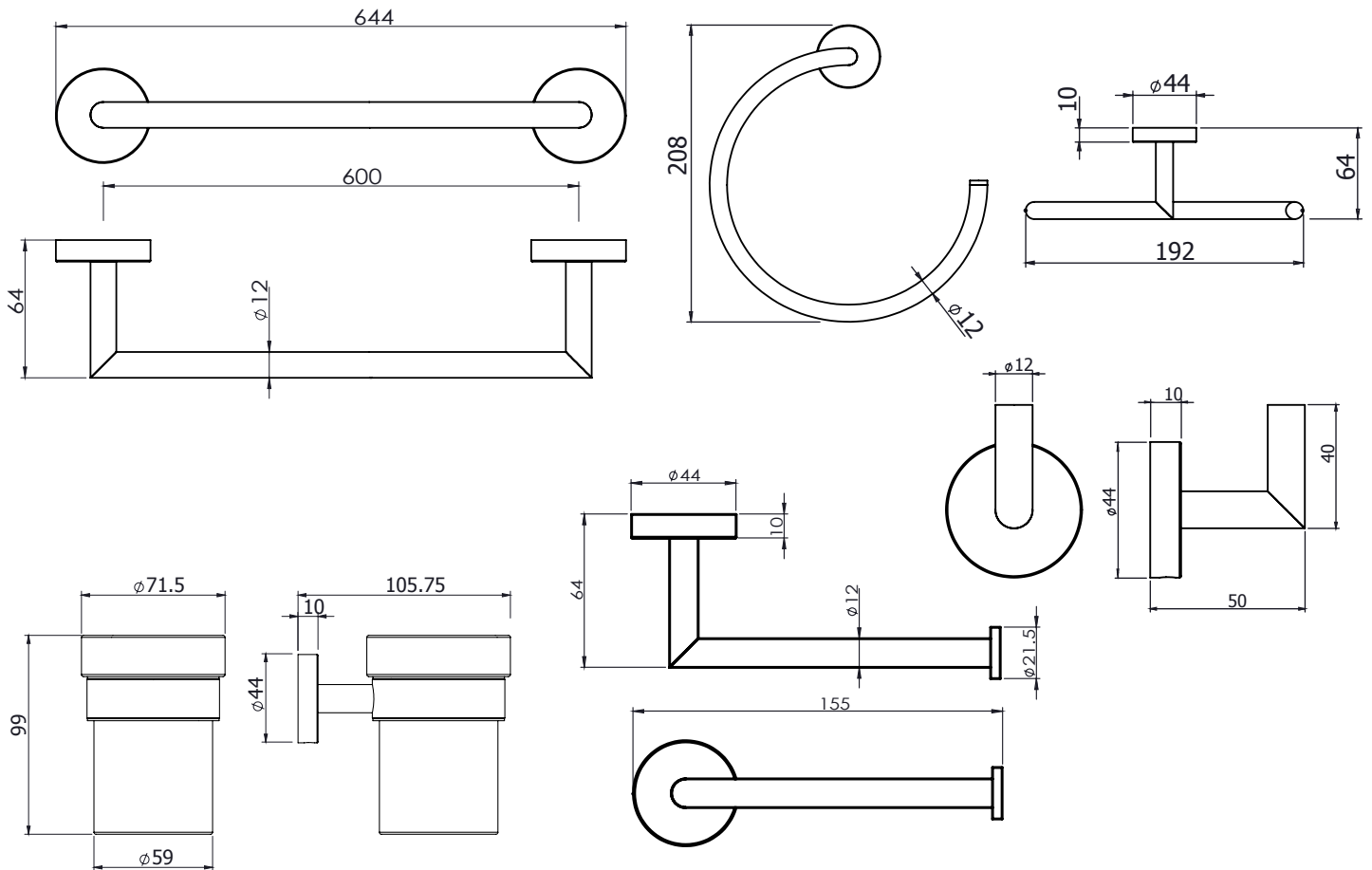
4720.02 Robe Hook



2724.02 Towel Rail

Dimensions

Diagrams not to scale
All dimensions in mm
tolerance of +5mm



Additional information

FAQ's