

TECHNICAL DATA SHEET

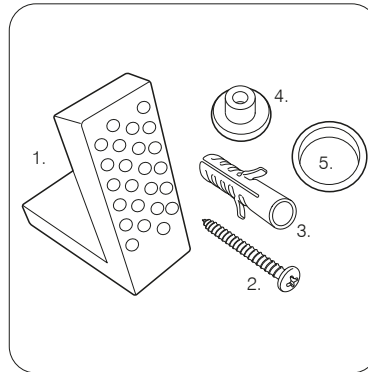
Widcombe CC Fully Enclosed WC Pan - WCCPAN

ROPER RHODES®

NO.	Description	Product Code	Fixings included	Gross Weight
1	CC Cistern	WCCTNKBRS	YES	16KG
2	Soft Close Toilet Seat	WSCTS-SF	YES	2KG
3	Fully Enclosed CC WC	WCCPAN	YES	28KG



Floor Fixings

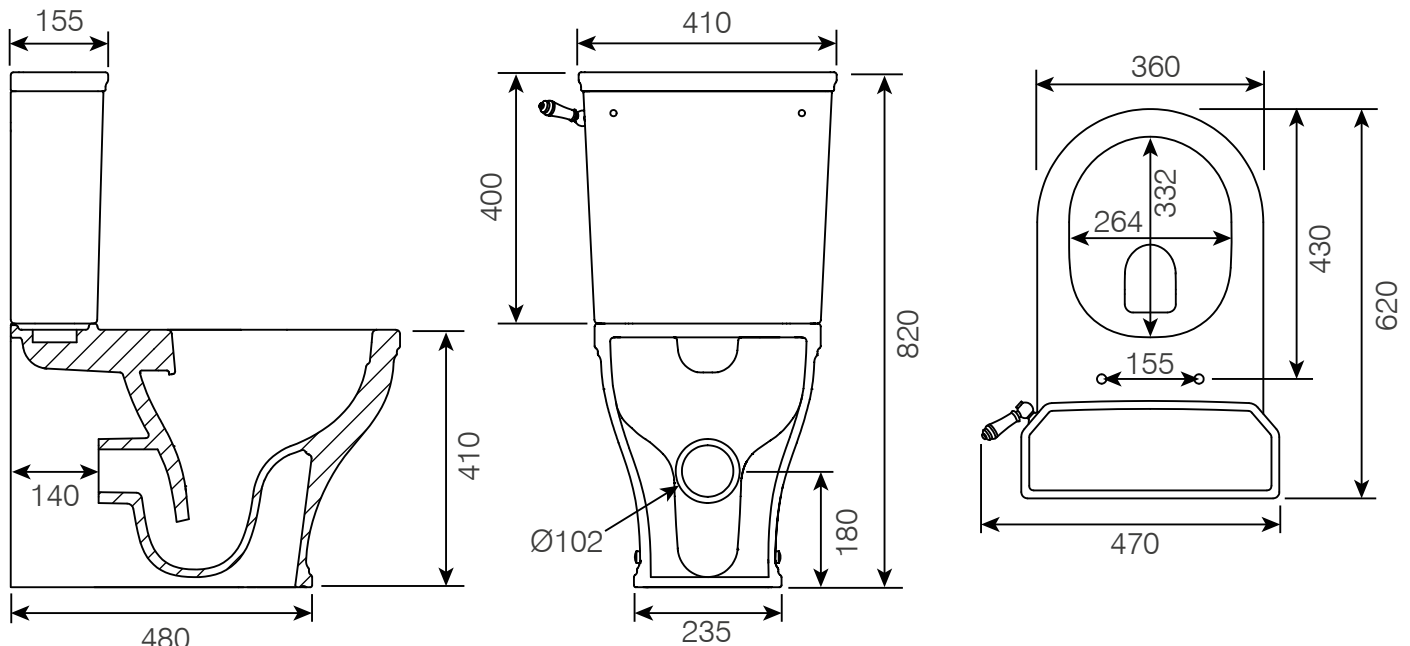


- 1. 2x Nylon Floor Bracket
- 2. 4x Stainless Steel Screws
- 3. 2x Nylon Screw Plugs
- 4. 2x Nylon Screw Collars
- 5. 2x Nylon Collars Caps (Metalic Finish)

Spare Code: SP14211

DIMENSIONS

DIAGRAMS NOT TO SCALE | ALL DIMENSIONS IN MM TOLERANCE OF ± 5MM
ALL PRODUCTS CONFORM TO BRITISH STANDARDS



*Dimensions are subject to change, customers are advised to measure actual product before commencing installation.
**Fixing point dimensions are for guidance only. The positions of fixings must be checked when product is received.

FAQs

Q - Where is the inlet valve?
A - Bottom Inlet, Back right of the pan

Q - What is the flush volume?
A - 6/4L

Q - Are there any other compatible seats?
A - Yes, the Widcombe range includes 4 moulded wood seats which match the finishes available in the furniture range. The product codes for these seats are WSCTS01-SF to WSCTS04-SF. See the brochure or website for more details.

Q - Rim type?
A - Rimless

Q - Does the cistern come with an air gap conforming inlet valve?
A - Yes

Q - Can this WC be used with a side connection outlet?
A - No

Q - Can this WC be bought with a chrome handle?
A - Yes, instead of purchasing WCCTNKBRS, the WCCTNKCHR cistern should be purchased