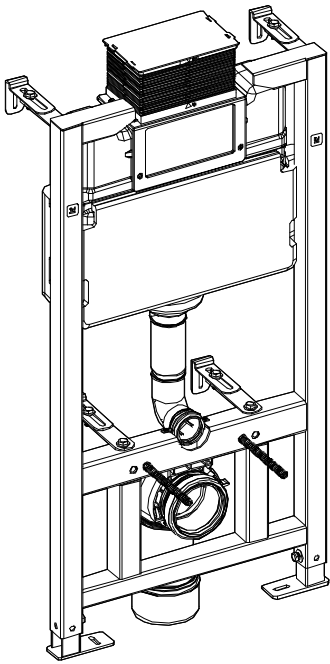


1000MM WALL HUNG FRAME AND CISTERN

TR9015

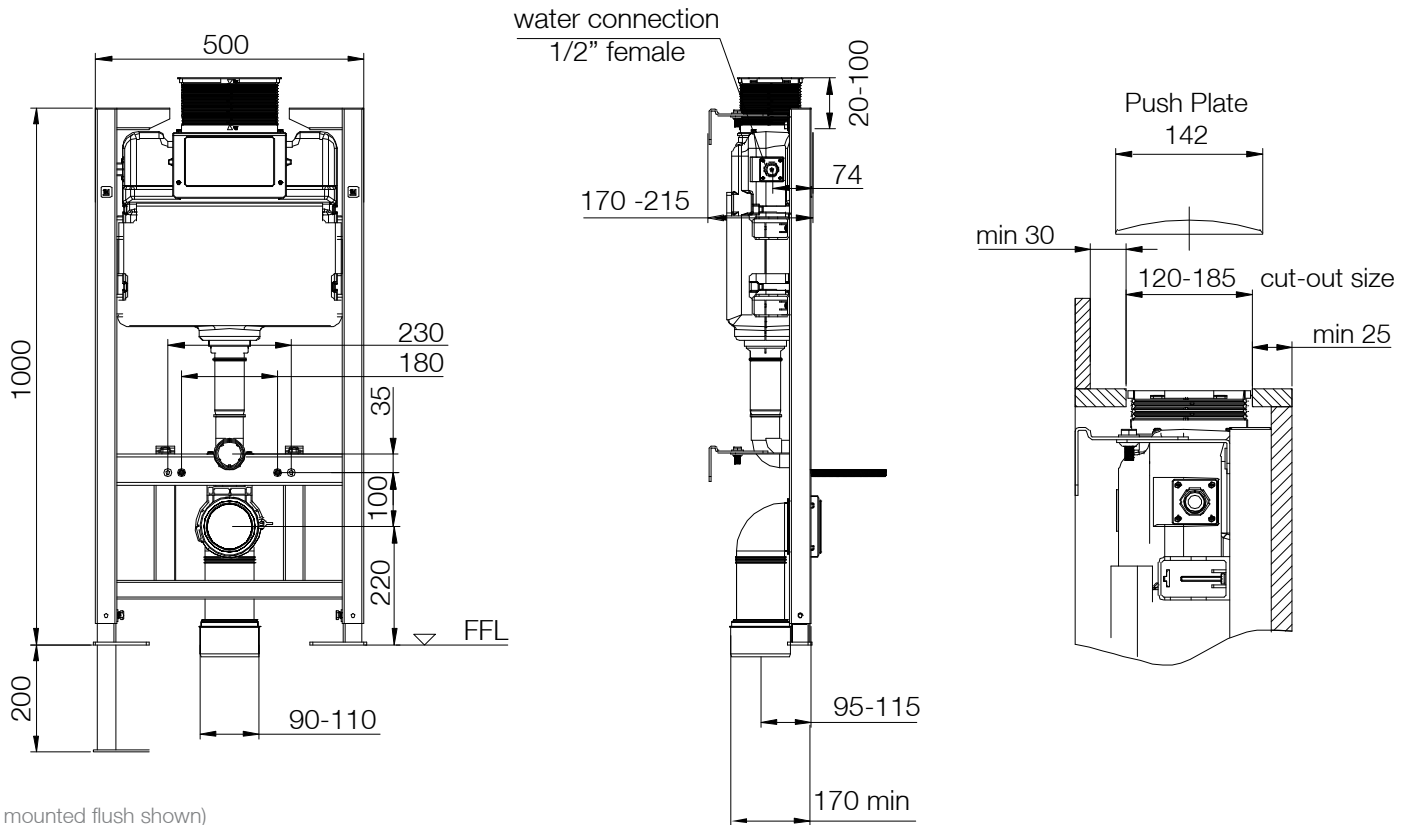


No.	Description	Product Code	Fixings included
1	1000mm Wall Hung Frame and Cistern	TR9015	YES

- 500mm width
- Adjustable depth: 170 – 215mm
- Adjustable height legs (200mm adjustment)
- WRAS approved 6/3L pneumatic flush valve
- WRAS approved side entry 1/2" (female) inlet valve
- Top and front access options
- Polystyrene anti-condensation jacket
- 0.2-10.0 bar working pressure range
- Brackets, fixings and 1st fix protective covers included
- Ideal for use below windows



Dimensions:



(Top mounted flush shown)

FAQs

What is the flush volume of the cistern? - The cistern has a full flush of 6 litres and a half flush of 3 litres.

Is the frame supplied with a flush plate? - No, but a range of push plates are available separately.

Can a flush plate be mounted on top? - Yes, the flush plate can be mounted on the front or top of the cistern.

Can the waste pipe be routed out to the side of the frame? - Yes, with a minimum distance of 170mm from wall to the front of the frame.