

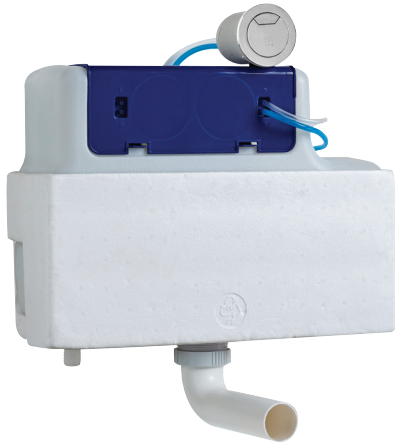
Technical Data Sheet

Product Name: Comfort Height Cistern

Product Code: TR9008

trade

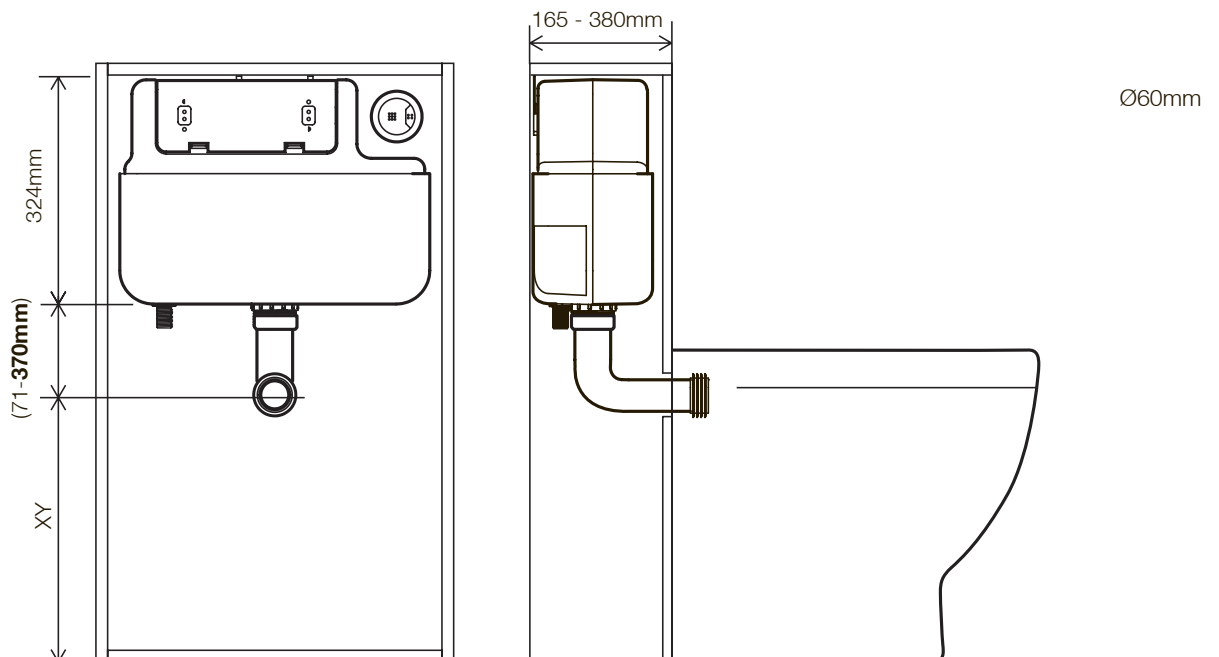
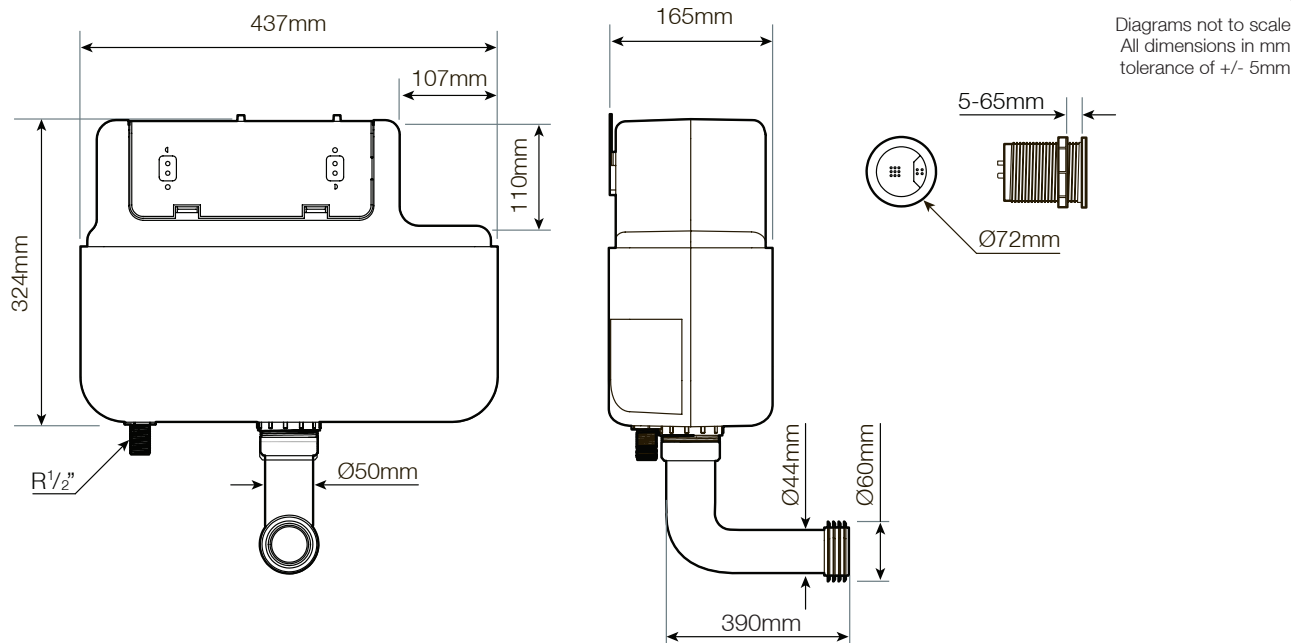
bathroom products



Key Features

- developed specifically for comfort height BTW WCs
- ideal for furniture installations
- 3/6 litre adjustable flush options
- pneumatic flush valve
- chrome push button included
- bottom entry inlet valve
- top & front access
- 0.2-10.0 bar working pressure range
- 90° flushpipe
- polystyrene insulation jacket

Dimensions



trade

Brought to you by the Roper Rhodes Group, Brassmill Lane Trading Estate, Bath, BA1 3JF | Tel: 01225 303 900 Fax: 01225 448 877

Technical Data Sheet

Product Name: Comfort Height Cistern
Product Code: TR9008

trade

bathroom products

FAQ's

What is the length of the push button hoses? Approx 700mm.

What is the vertical length of the flush pipe to the tank? 71mm to 370mm.

Why does the big (full flush) button go down when pressing the small (1/2 flush) button?

This is normal due to the button mechanism - the bellow closes the full flush capacity to reduce the total flush.

When the button is pushed it wont go in or flush?

Check the hose connections from the back of the button to the valve.

Can I use this cistern with a flush plate?

Yes, not with installations inside furniture as the cistern body takes up most of the space inside the cabinet. Therefore, there is not enough room for the flush plate actuator on the rear of the plate.

Why are there cut outs on the side of the polystyrene jacket?

These cutouts allow the cistern to fit inside slim depth 500mm Back to Wall units without interfering with the cabinet hangers.

Can I use this cistern in slim depth furniture?

Yes, this cistern will even work with 500mm wide units, including Roper Rhodes and R2 fitted furniture units.

What is the highest inlet on a pan that this cistern will work with?

In furniture up to 820mm high (to the underside of the worktop), a pan with an inlet up to 425mm can be accommodated. (RR and R2 comfort height pan inlets are 405mm)