

Technical Data Sheet

ROPER RHODES®

STORM NOVA Wall Mounted Basin Mixer
 T491902 - Chrome, T491903 - Black, T491904 - Brass

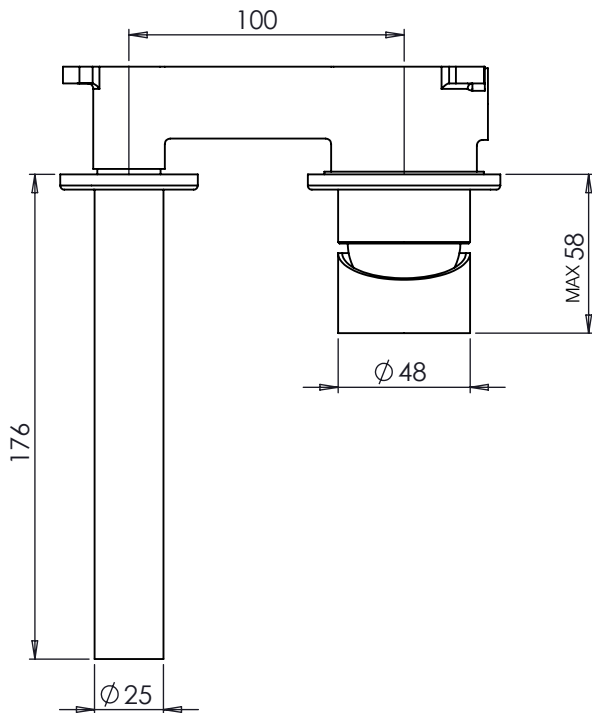
No.	Description	Code	Fixings Included
1	Storm Nova Wall Mounted Basin Mixer	T491902, T491903, T491904	YES



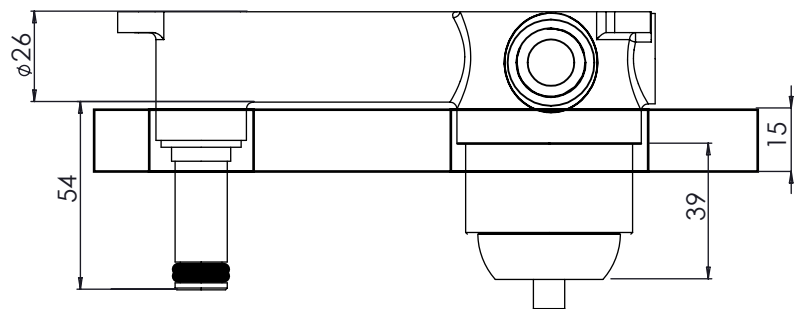
Min Pressure:	0.2bar
0.2bar	5.4 litres / min
0.3bar	6.3 litres / min
0.4bar	7.1 litres / min
0.5bar	7.9 litres / min
1bar	10.8 litres / min
2bar	14.9 litres / min

Dimensions:

Diagrams not to scale. All dimensions in mm (tolerance of +/-5mm)



Inlets Side and Bottom



*Dimensions are subject to change, customers are advised to measure actual product before commencing installation.

FAQs

What finish is used on the taps? All taps are electroplated.

What is the minimum depth of wall cavity? 26mm

Does the product come fitted with an aerator? Yes, the aerator comes pre-installed but can be replaced.

What is the size of the tap tail connection? The tap tails have a standard 1/2" BSP fixing.

What is the minimum recommended operating pressure of the tap? 0.2 bar