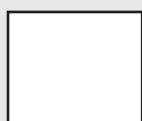
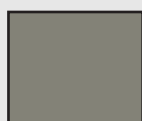


No.	Description	Code	Fixings Included
	<b>Furniture</b>		
1	500 Scheme Wall Mounted Drawer Unit	SCH500D /X	Wallmounted Brackets & Screws
2	600 Scheme Wall Mounted Drawer Unit	SCH600D /X	Wallmounted Brackets & Screws
3	800 Scheme Wall Mounted Drawer Unit	SCH800D /X	Wallmounted Brackets & Screws
4	1000 Scheme Wall Mounted Drawer Unit	SCH1000D /X	Wallmounted Brackets & Screws
5	1200 Scheme Wall Mounted Drawer Unit	SCH1200D /X	Wallmounted Brackets & Screws
6	Lighting Kit	SCHLT500/600/800/ 1000/1200	
	<b>Basins</b>		
7	500 Ceramic Basin	SCH500C	
8	600 Ceramic Basin	SCH600C	
9	800 Ceramic Basin	SCH800C	
10	1000 Ceramic Basin	SCH1000C	
11	600 Isocast Basin	SCH600IS	Overflow Kit
12	800 Isocast Basin	SCH800IS	Overflow Kit
13	1000 Isocast Basin	SCH1000IS	Overflow Kit
14	1200 Isocast Basin	SCH1200IS	2 x Overflow Kit
	<b>Mirrors/Cabinets</b>		
15	1400 Mirror Door Column	SCHCD1400 /X	Wallmounting Bracket & Screws
16	75 Single Door Recessed Cabinet	SCHCAB6CAR75	Shelf Lugs & Fixing Screws x8
17	120 Single Door Recessed Cabinet	SCHCAB6CAR120	Shelf Lugs & Fixing Screws x8
18	75 Double Door Recessed Cabinet	SCHCAB10CAR75	Shelf Lugs & Fixing Screws x8
19	120 Double Door Recessed Cabinet	SCHCAB10CAR120	Shelf Lugs & Fixing Screws x8
20	Storage Box	SCHBOXSET	

Finishes Available



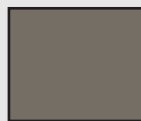
White



Gloss Dark Clay



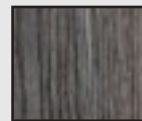
Light Grey



Matt Carbon

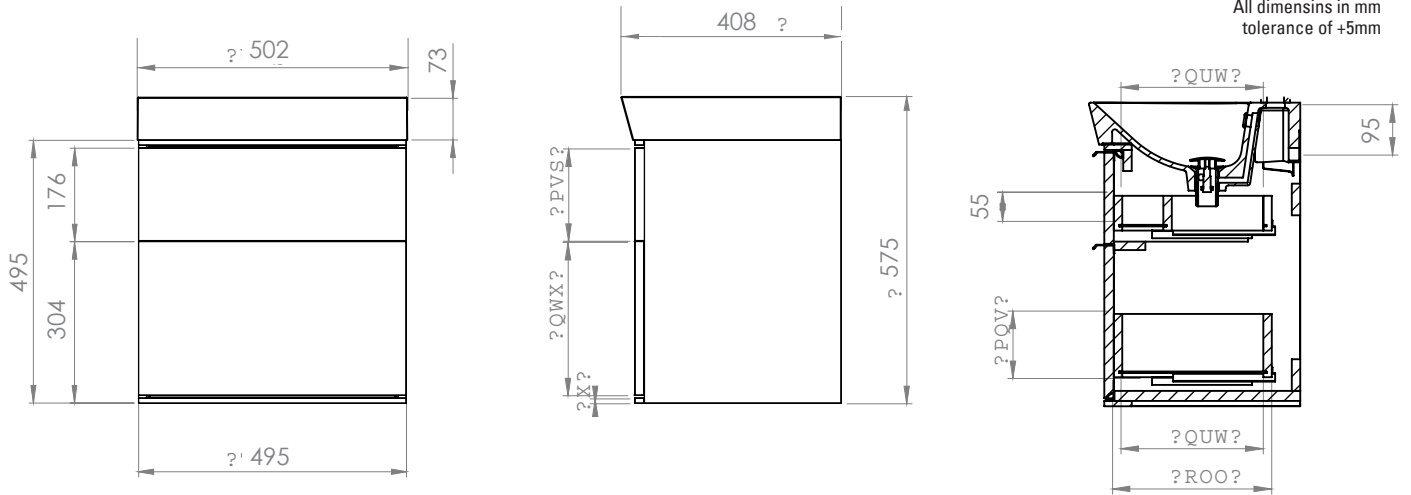


Matt Light Clay

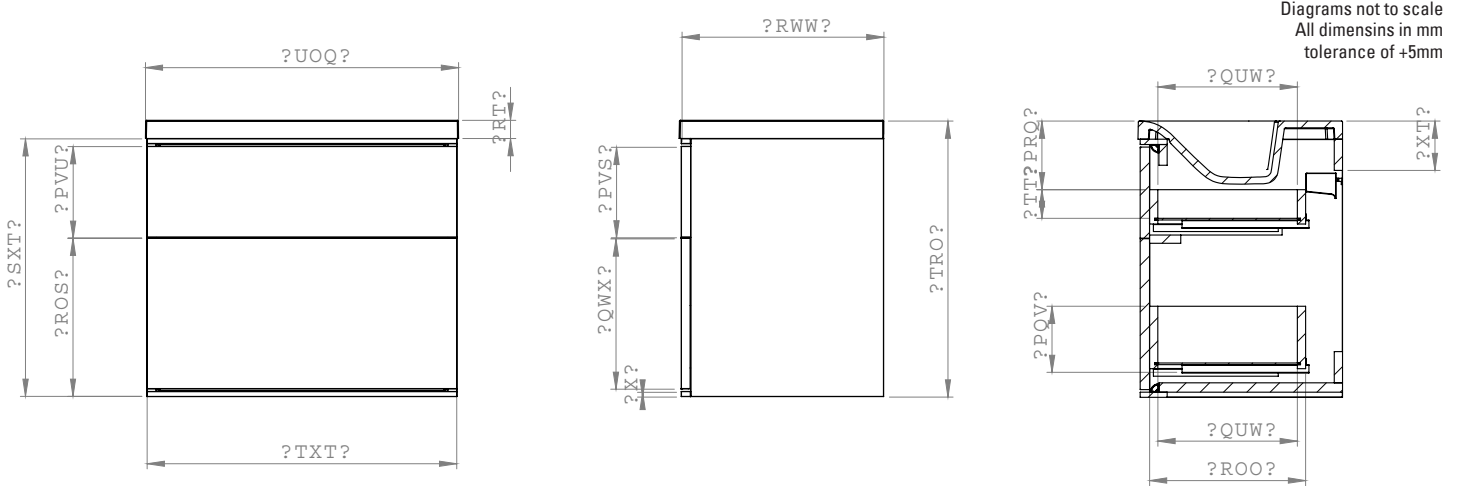


Umbr

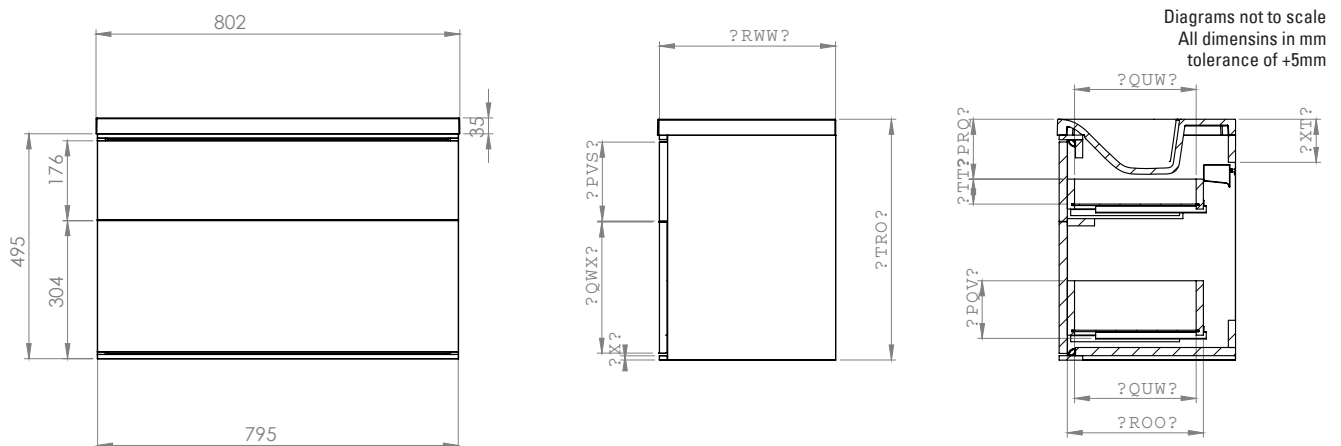
Dimensions - Scheme 500



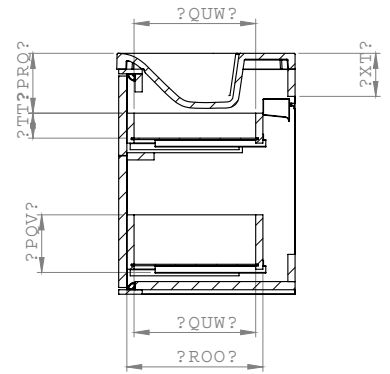
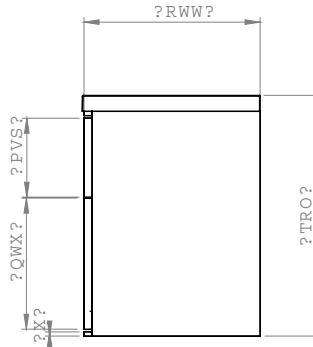
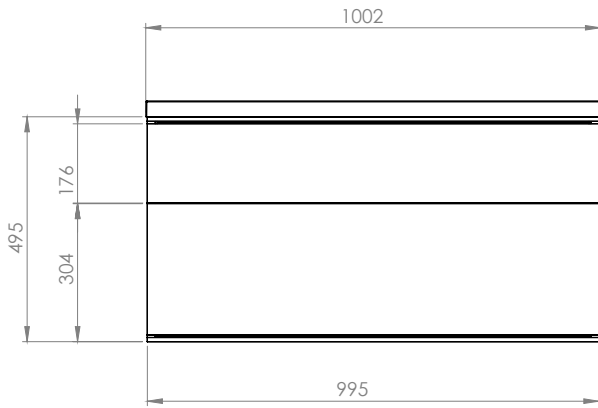
Dimensions - Scheme 600



Dimensions - Scheme 800

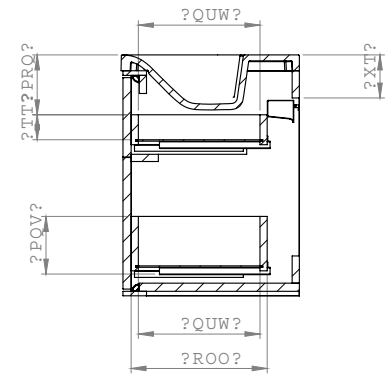
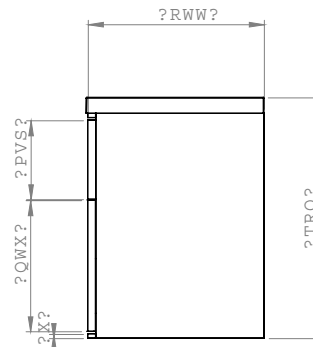
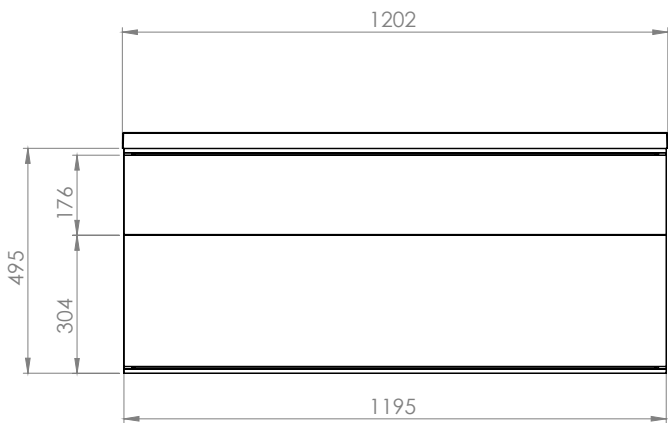


Dimensions - Scheme 1000



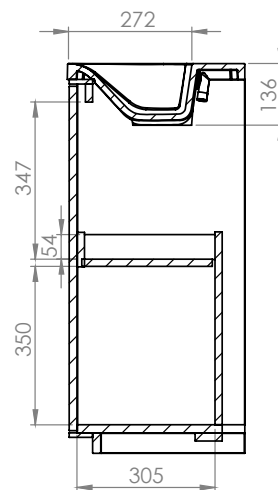
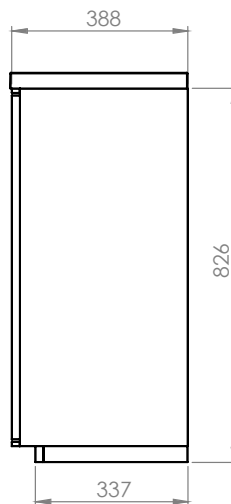
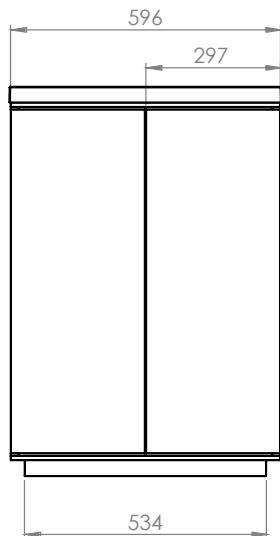
Diagrams not to scale  
All dimensins in mm  
tolerance of +5mm

Dimensions - Scheme 1200 Wall Mounted



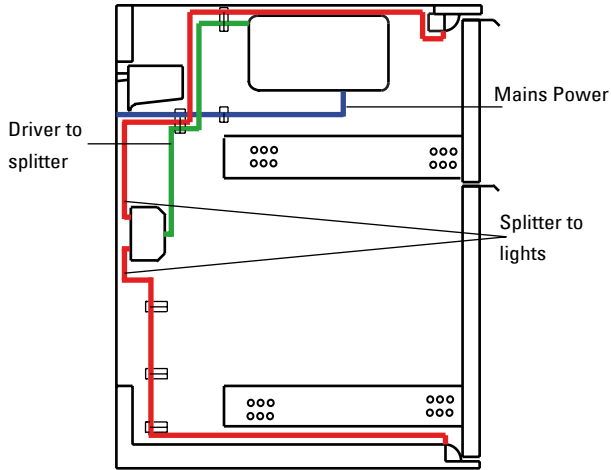
Diagrams not to scale  
All dimensins in mm  
tolerance of +5mm

Dimensions - Scheme 600 Floor Mounted



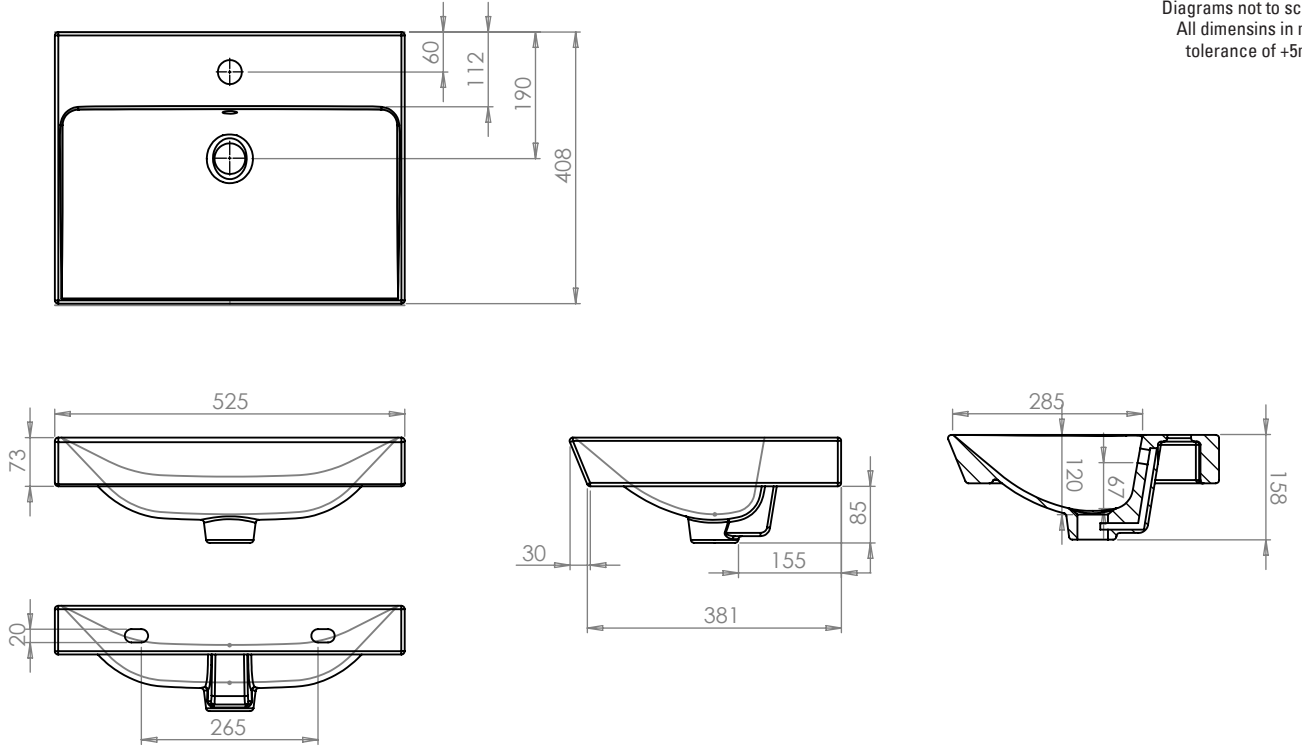
Diagrams not to scale  
All dimensins in mm  
tolerance of +5mm

Information - Lighting Kit



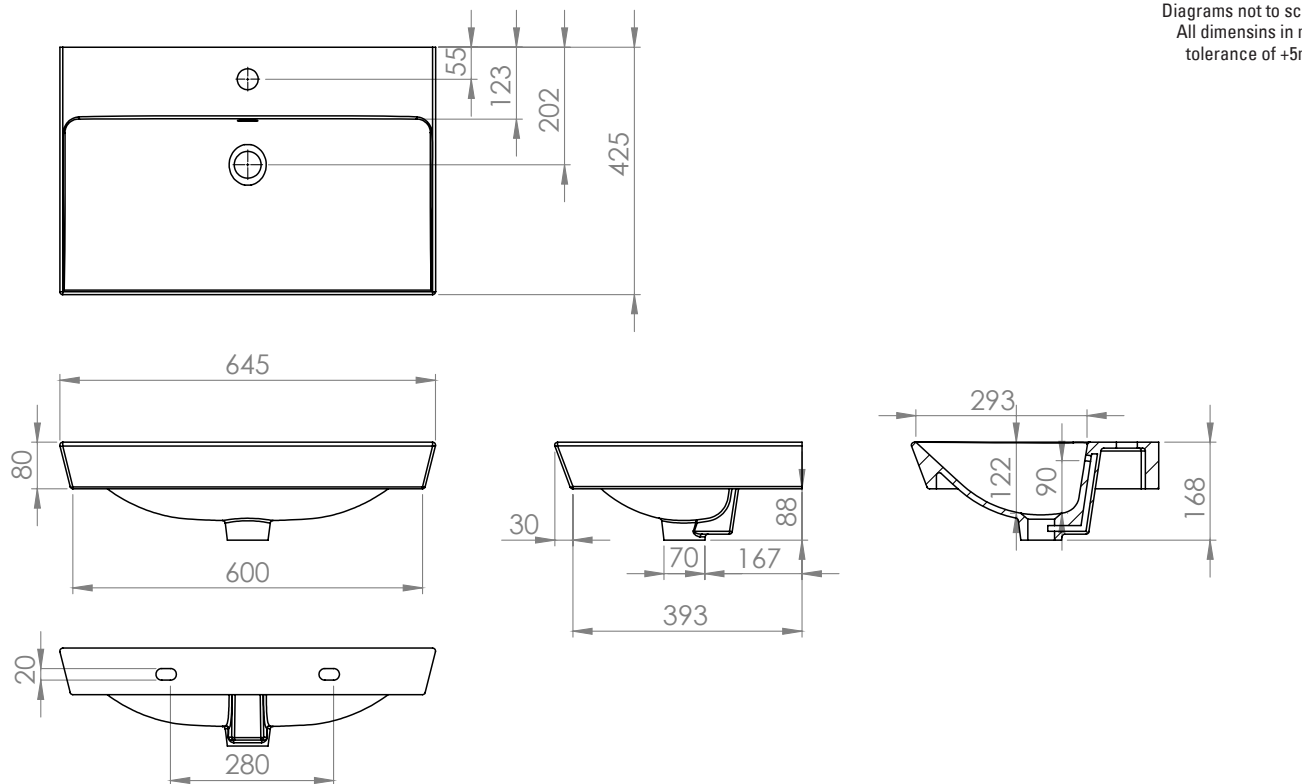
Power Consumption
Standby: 0.5W
500 Kit - 9.6W
600 Kit - 12W
800 Kit - 16.8W
1000 Kit - 21.6W
1200 Kit - 26.4W
LED light durability tested to 12000 hours

Dimensions - Ceramic Basin 500



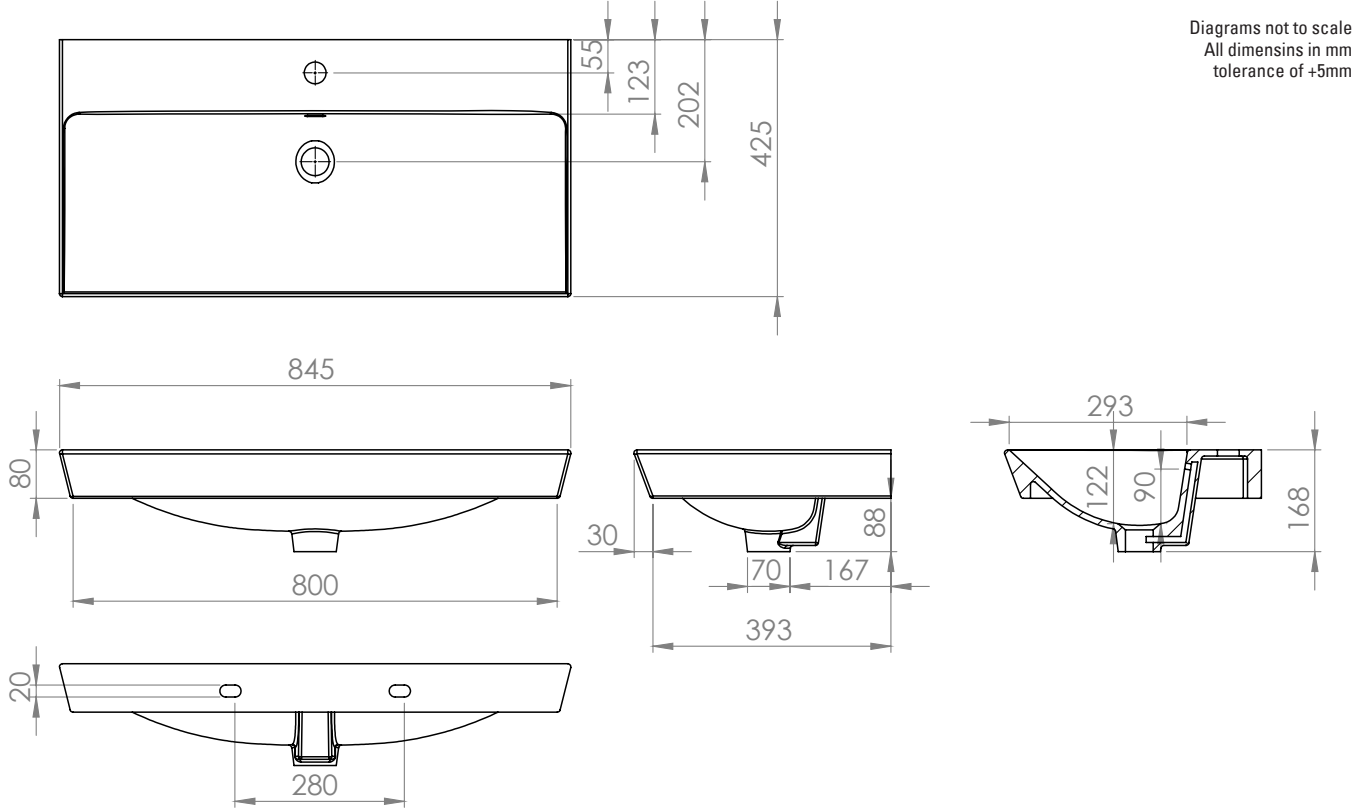
Diagrams not to scale  
All dimensions in mm  
tolerance of +5mm

Dimensions - Ceramic Basin 600



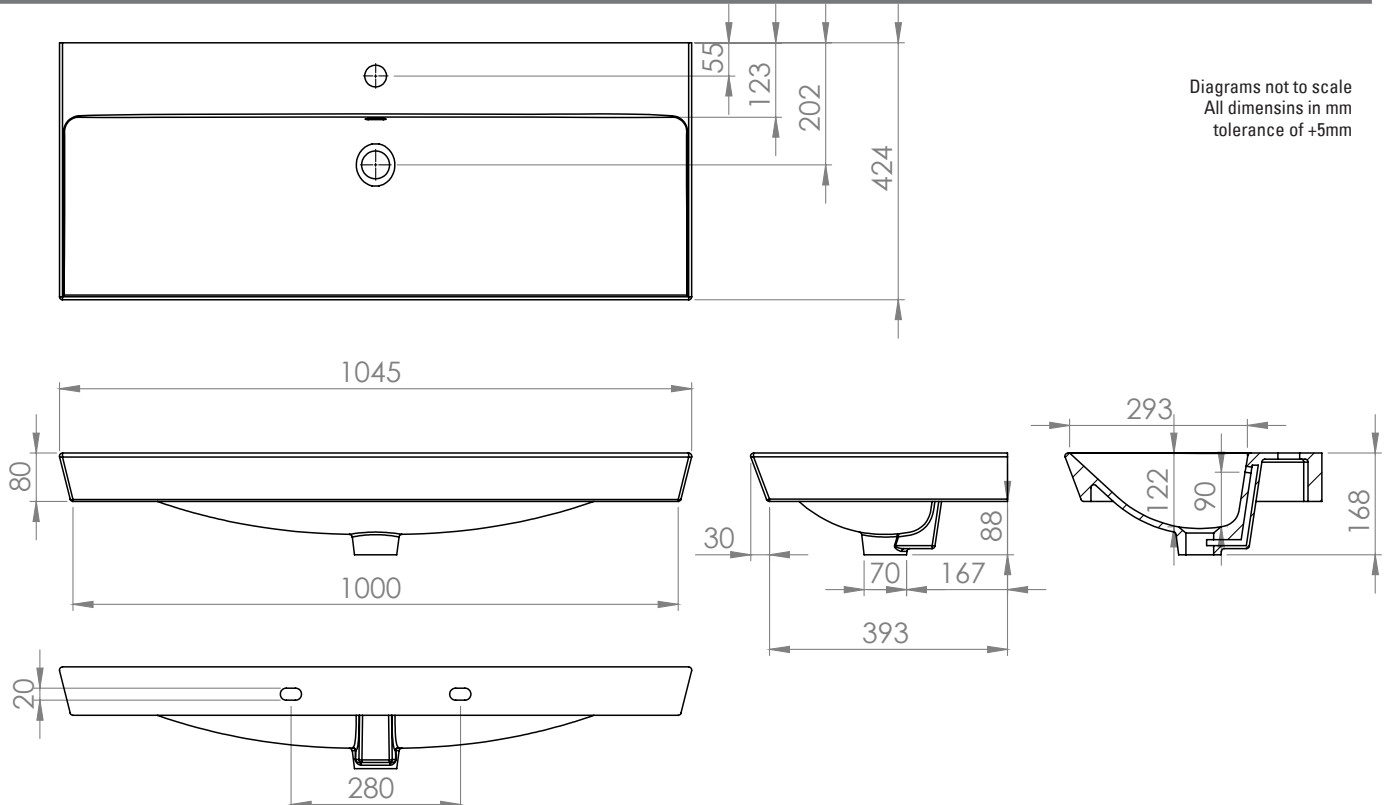
Diagrams not to scale  
All dimensions in mm  
tolerance of +5mm

Dimensions - Ceramic Basin 800



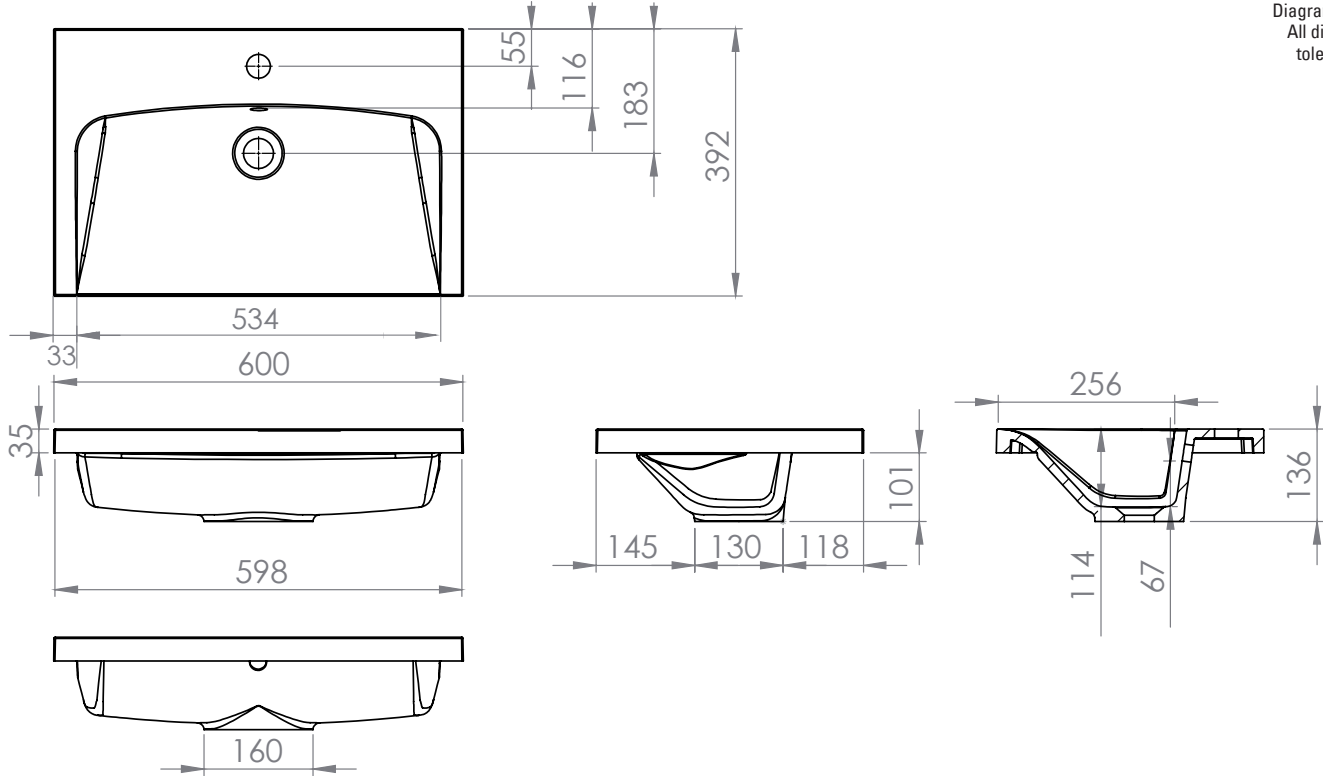
Diagrams not to scale  
All dimensions in mm  
tolerance of +5mm

Dimensions - Ceramic Basin 1000



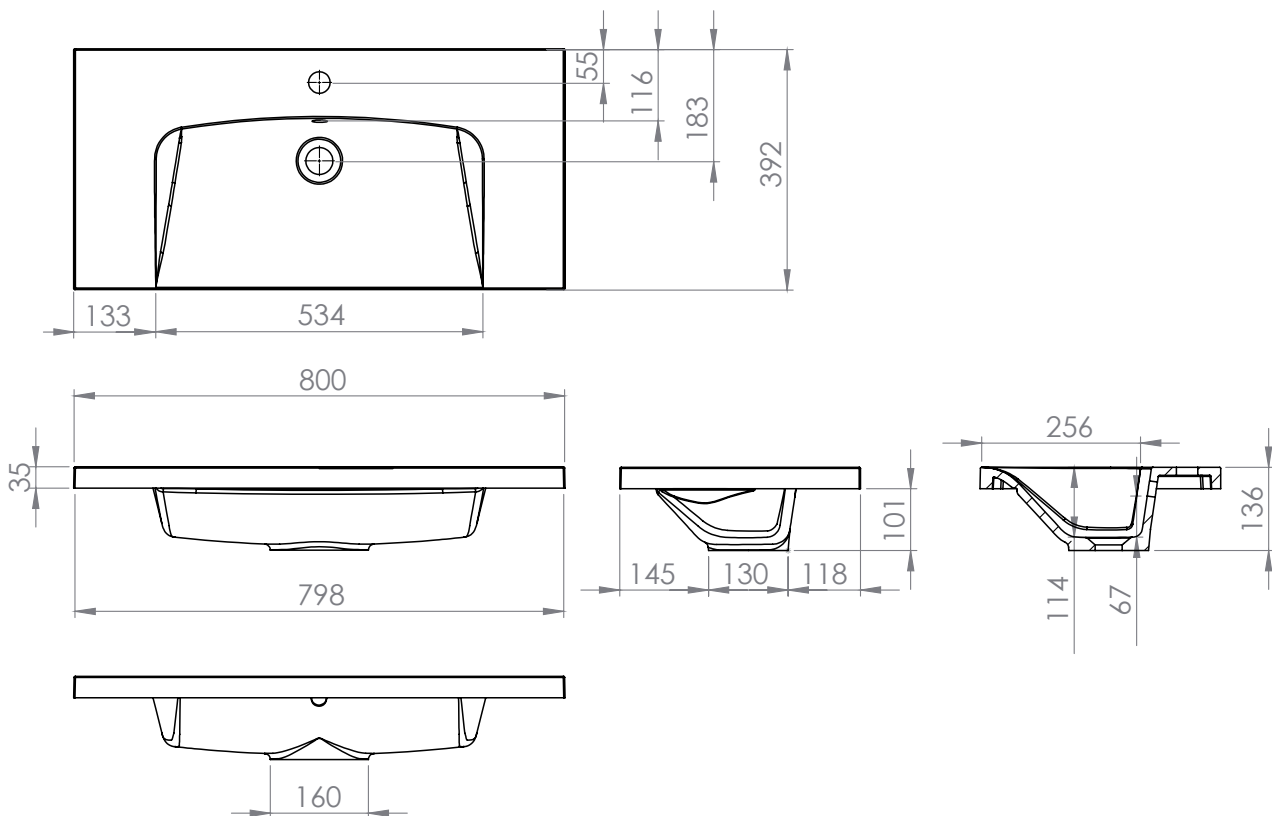
Diagrams not to scale  
All dimensions in mm  
tolerance of +5mm

Dimensions - Isocast Basin 600



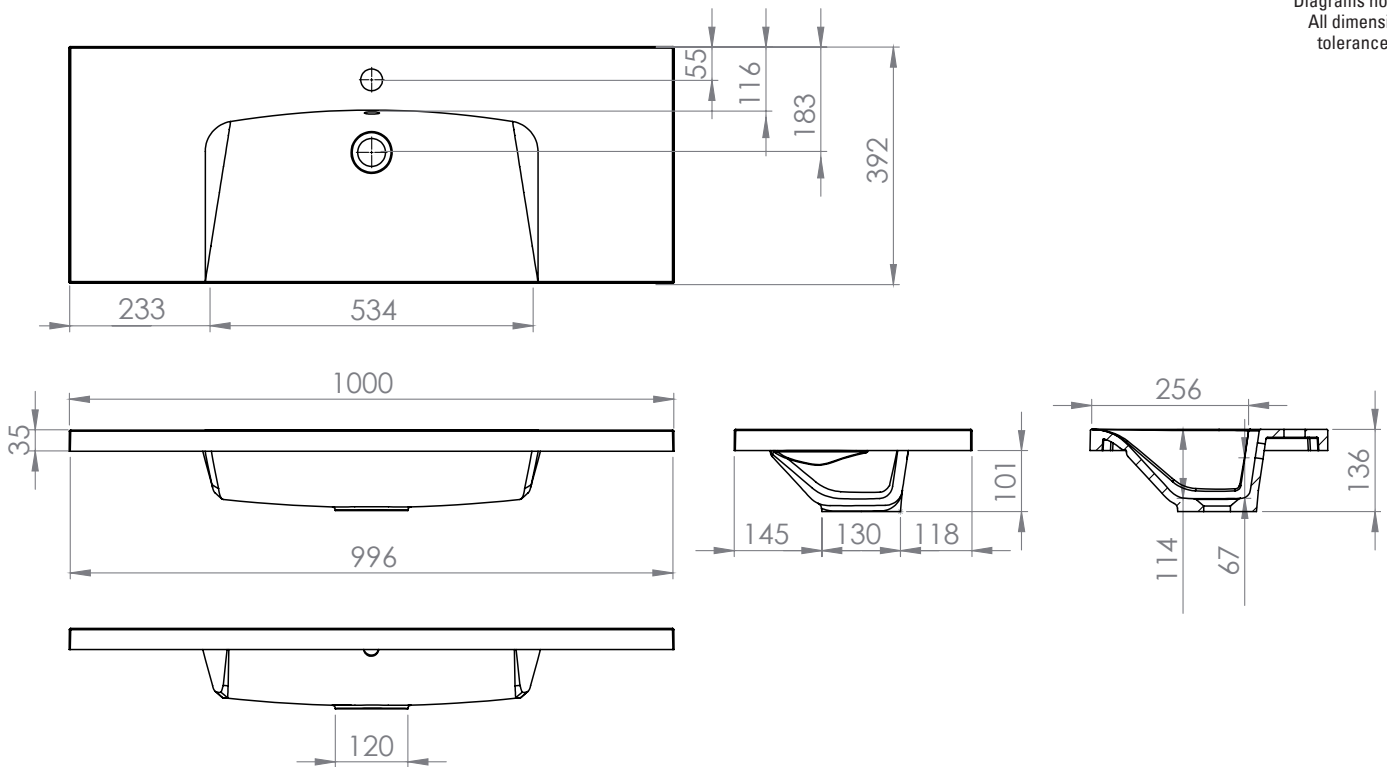
Diagrams not to scale  
All dimensions in mm  
tolerance of +5mm

Dimensions - Isocast Basin 800



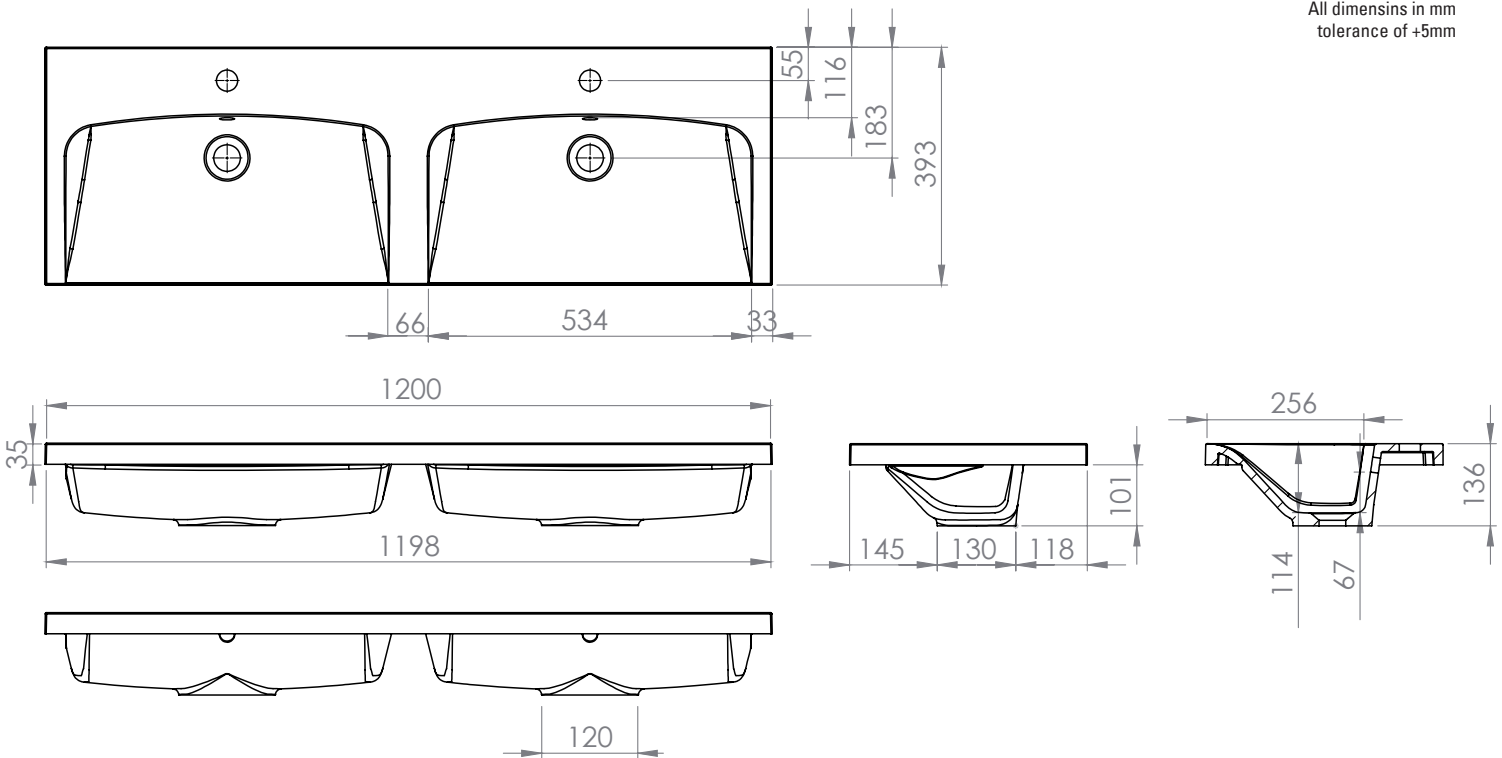
Diagrams not to scale  
All dimensions in mm  
tolerance of +5mm

Dimensions - Isocast Basin 800



Diagrams not to scale  
All dimensions in mm  
tolerance of +5mm

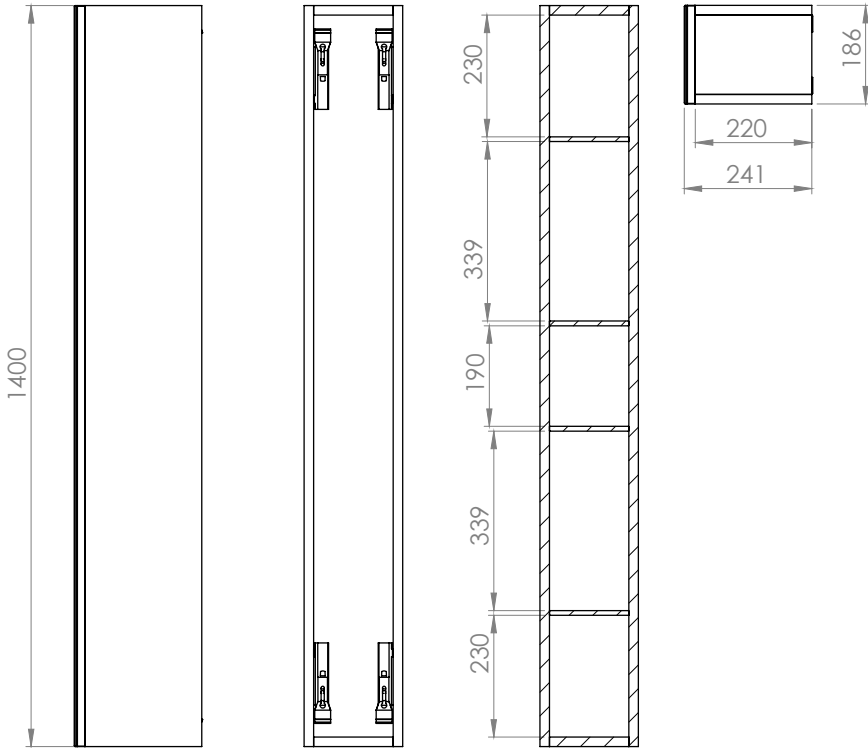
Dimensions - Isocast Basin 1200



Diagrams not to scale  
All dimensions in mm  
tolerance of +5mm

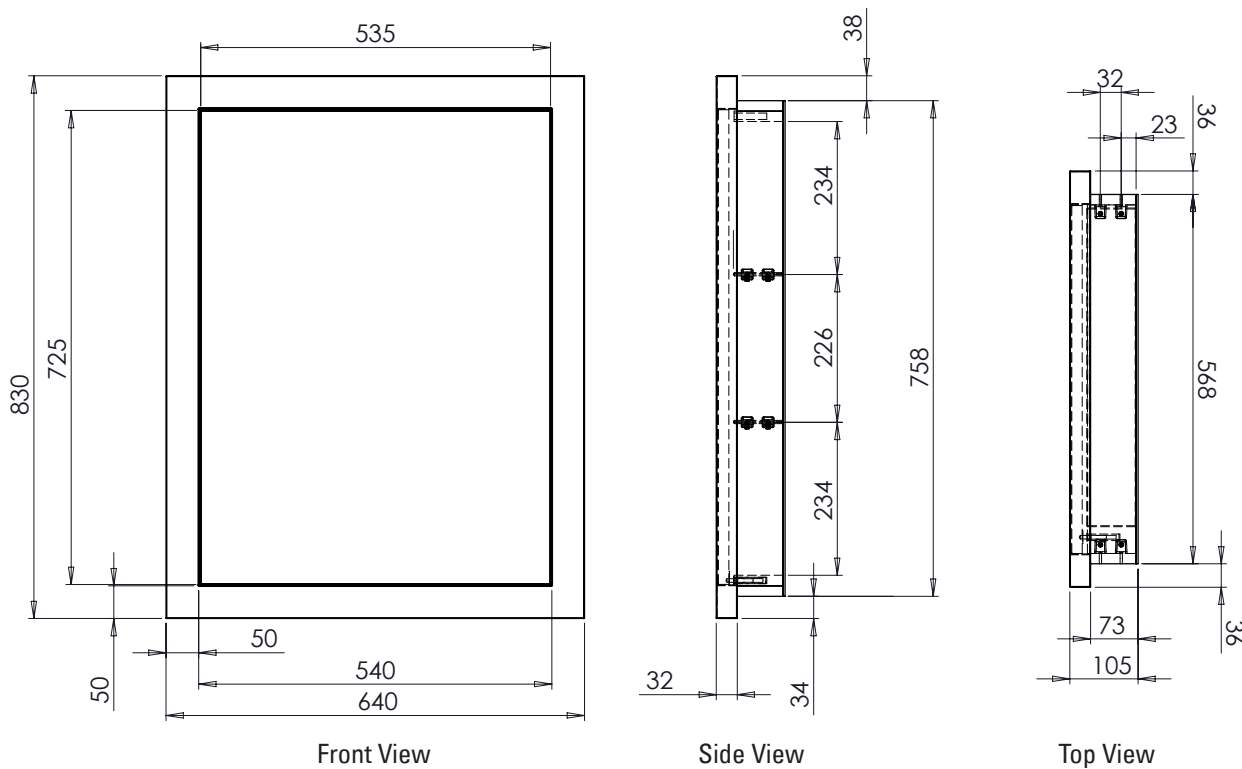


Dimensions - Mirror Door Column 1400



Diagrams not to scale  
All dimensions in mm  
tolerance of +5mm

Dimensions - Single Door 75 Recessed Cabinet

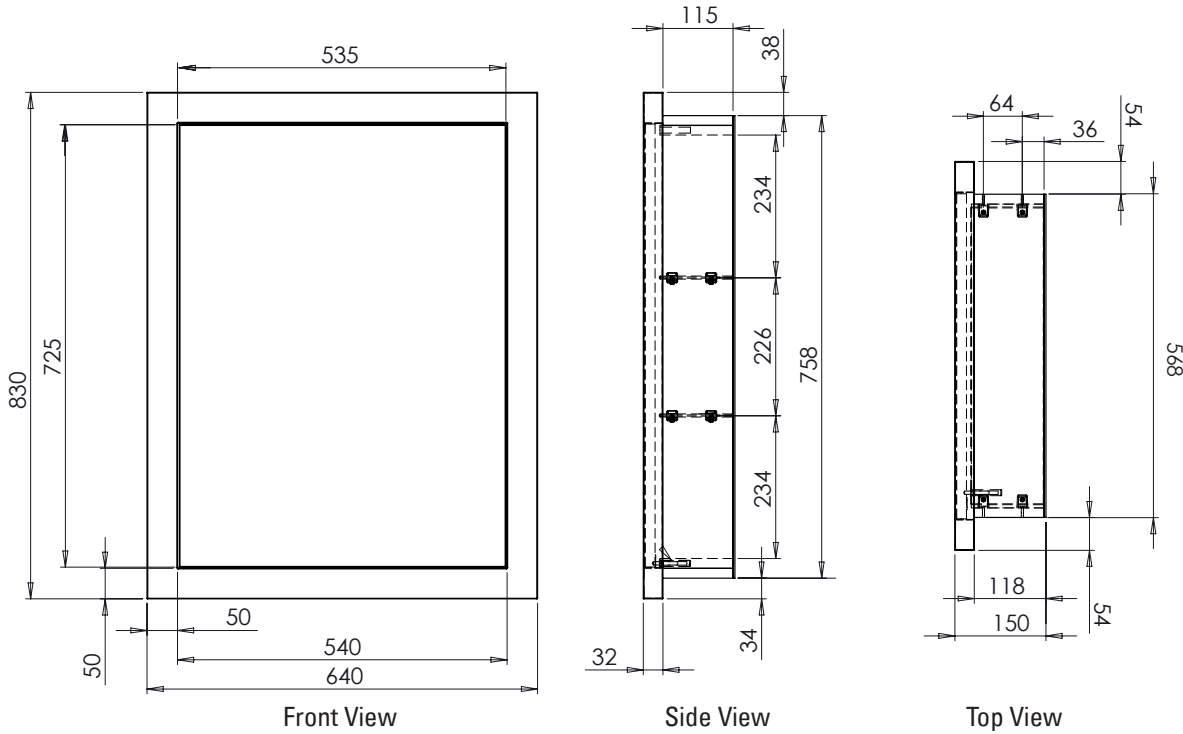


Diagrams not to scale  
All dimensions in mm  
tolerance of +5mm

Note: When cutting holes for the recessed cabinet, it is advised to cut the hole with tolerance - approx. 572mm x 764mm

Check final product before making final cuts in the wall.

Dimensions - Single Door 120 Recessed Cabinet

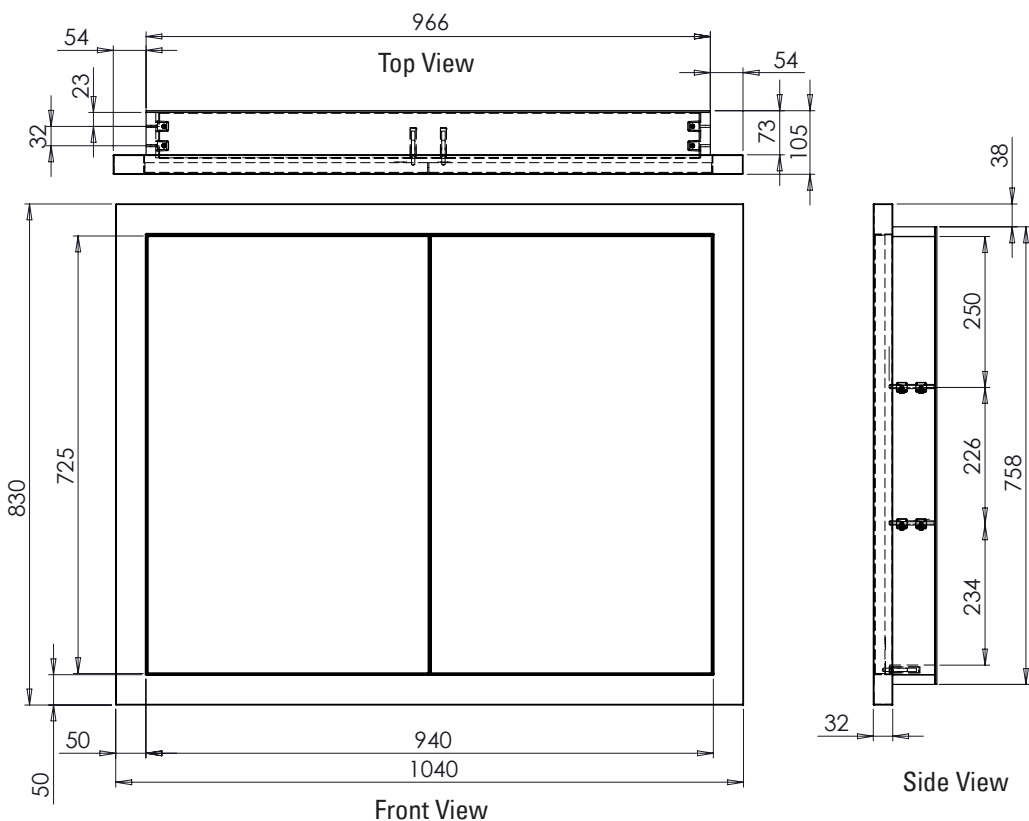


Diagrams not to scale  
All dimensions in mm  
tolerance of +5mm

Note: When cutting holes for the recessed cabinet, it is advised to cut the hole with tolerance - approx. 572mm x 764mm

Check final product before making final cuts in the wall.

Dimensions - Double Door 75 Recessed Cabinet

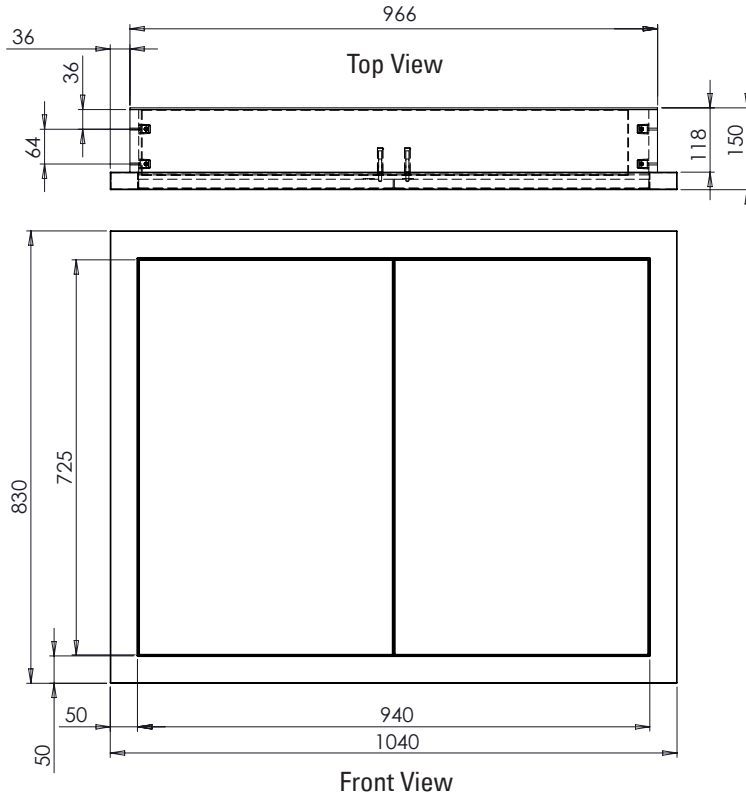


Diagrams not to scale  
All dimensions in mm  
tolerance of +5mm

Note: When cutting holes for the recessed cabinet, it is advised to cut the hole with tolerance - approx. 972mm x 764mm

Check final product before making final cuts in the wall.

Dimensions - Double Door 120 Recessed Cabinet

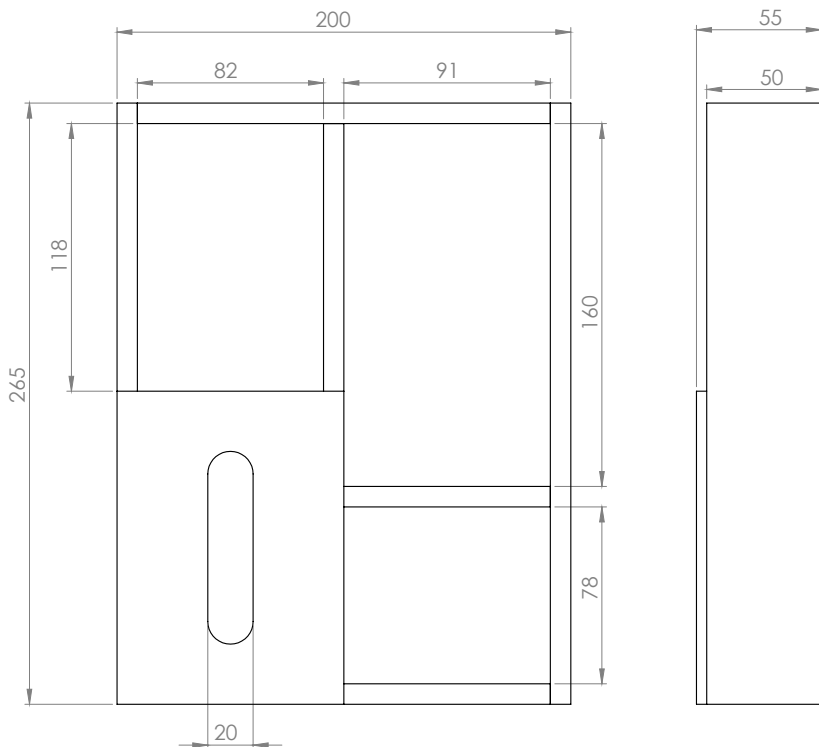


Diagrams not to scale  
All dimensions in mm  
tolerance of +5mm

Note: When cutting holes for the recessed cabinet, it is advised to cut the hole with tolerance - approx. 972mm x 764mm

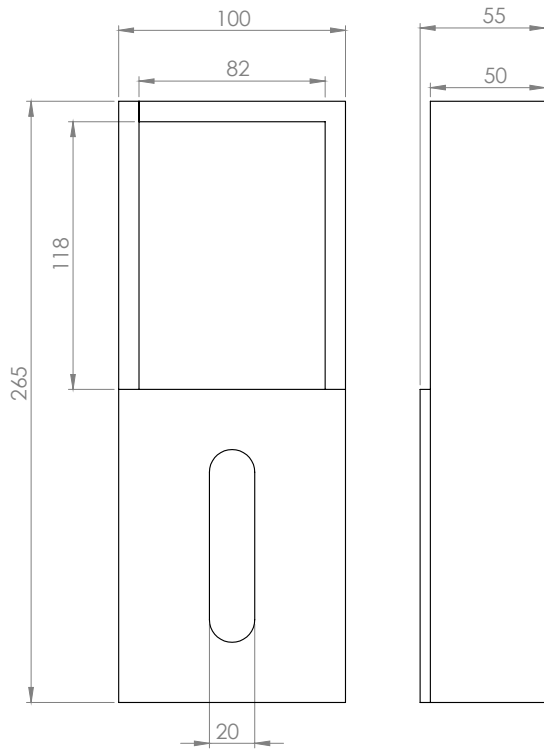
Check final product before making final cuts in the wall.

Dimensions - 200 Storage Box



Diagrams not to scale  
All dimensions in mm  
tolerance of +5mm

Dimensions - 100 Storage Box



Diagrams not to scale  
All dimensions in mm  
tolerance of +5mm

## FAQ's

Q: Do the drawer fronts come pre-drilled for the handles?

A: No. But the units are supplied with templates for drilling holes for all handles

Q: Are the hangers in the wallmounted units strong enough?

A: Yes, they are rated on their own enough to take the weight. The extra fixing points in the top and bottom braces are to add extra security and to prevent the unit bowing in the centre.

Q: Is the floormounted shelf removable?

A: No. It is part of the unit as it had built in dividers

Q: How should the plinth box be fitted on the floormounted unit

A: It has dowels in the top of the plinth box which can be glued into place using standard wood glue.

Q: How do I replace the fascia on the wallmounted unit

A: There are 6 screws holding this in place. 3 above the top of the drawer base and 3 below. These should be removed.

Q: How do I replace the thin clad parts on the units

A: These are screwed and glued in place. The screws should be removed and the thin part should then be carefully prised from the brace. The new one should then be screwed back into place.

Q: My drawer is not fully closing. Why?

A: 2 possible reasons. If you're using electrics this could be catching in which case the wires need clipping out of the way. It may also be that the drawer box has not been fully clicked back into place after the drawer has been removed. This is easiest to do when the drawer is fully extended and the drawer runner can be pushed into the back of the drawer.

### Worktops and vessels

Q: Do the worktop supports fix to the unit

A: No. This is not required. When the supports are fixed in place using the tape bond supplied they form rigid stiffeners. Care must be taken where these are placed to prevent clashes with plumbing

Q: Are the worktops pre-drilled?

A: No. These can be cut using standard woodmaking tools

### Columns

Q: How do you reverse the door on the column?

A: Turn the column upside-down. There are hangers on the top and bottom.

### Basins

Q: Do the isocast basins have integrated overflows

A: No – they come with a kit which should be cut to length and checked fully for any leaks.

Q: Can the Scheme basins be wallmounted

A: Yes, but they are not supplied with fixings. Fischer fixing bolts should be used into a suitable solid wall.

### Electrics

Q: How do I wire this into the electric supply

A: A fused spur should be used and should be done by a qualified electrician taking care that all parts are fully tidied away using the clips provided.

Q: How do I operate the lights

A: Simply touch / swipe your hand over the sensor area

Q: Can the LED lights be replaced in their housing

A: It is not worth it. It is better to just supply a complete new strip including the housing.

Q: My sensor isn't working

A: Check that the power is getting to this. There will be a blue glow where the sensor is. The unit needs to be tight to the sidewall of the cabinet to operate.