

Technical Data Sheet

SCHEME FURNITURE

No.	Description	Code	Fixings Included
	Furniture		
1	600 Scheme Wall Mounted Drawer Unit	SCH600D /X	Wallmounted Brackets & Screws
2	800 Scheme Wall Mounted Drawer Unit	SCH800D /X	Wallmounted Brackets & Screws
3	1000 Scheme Wall Mounted Drawer Unit	SCH1000D /X	Wallmounted Brackets & Screws
4	1200 Scheme Wall Mounted Drawer Unit	SCH1200D /X	Wallmounted Brackets & Screws
5	Lighting Kit	SCHLT600/800/1000/1200	
	Basins		
6	600 Ceramic Basin	SCH600C	
7	800 Ceramic Basin	SCH800C	
8	1000 Ceramic Basin	SCH1000C	
9	600 Isocast Basin	SCH600IS	Overflow Kit
10	800 Isocast Basin	SCH800IS	Overflow Kit
11	1000 Isocast Basin	SCH1000IS	Overflow Kit
12	1200 Isocast Basin	SCH1200IS	2 x Overflow Kit
	Mirrors/Cabinets		
13	1400 Mirror Door Column	SCHCD1400 /X	Wallmounting Bracket & Screws
14	75 Single Door Recessed Cabinet	SCHCAB6CAR75	Shelf Lugs & Fixing Screws x8
15	120 Single Door Recessed Cabinet	SCHCAB6CAR120	Shelf Lugs & Fixing Screws x8
16	75 Double Door Recessed Cabinet	SCHCAB10CAR75	Shelf Lugs & Fixing Screws x8
17	120 Double Door Recessed Cabinet	SCHCAB10CAR120	Shelf Lugs & Fixing Screws x8
18	Storage Box	SCHBOXSET	

Standard Finishes

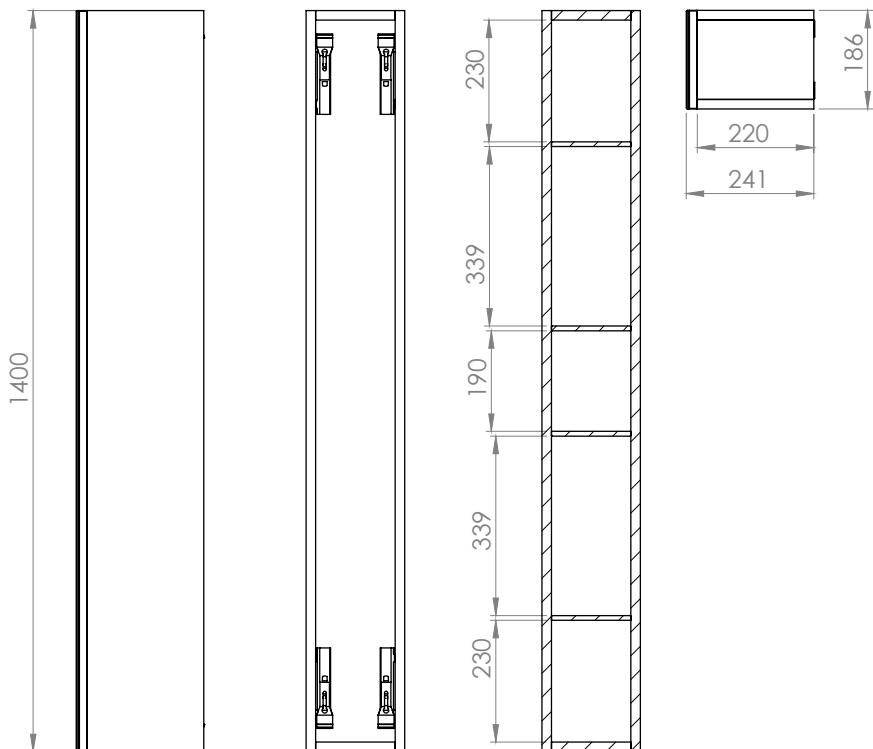
				
Gloss Whites	Gloss Dark Clay	Gloss Calico	Smoked Walnut	Matt Carbon
Special Finishes*				
				
Gloss Mist	Gloss Warm Grey	Matt Light Clay		

* 3 Week lead time, except 600mm freestanding, 600 & 800mm wall mounted basin units

Technical Data Sheet

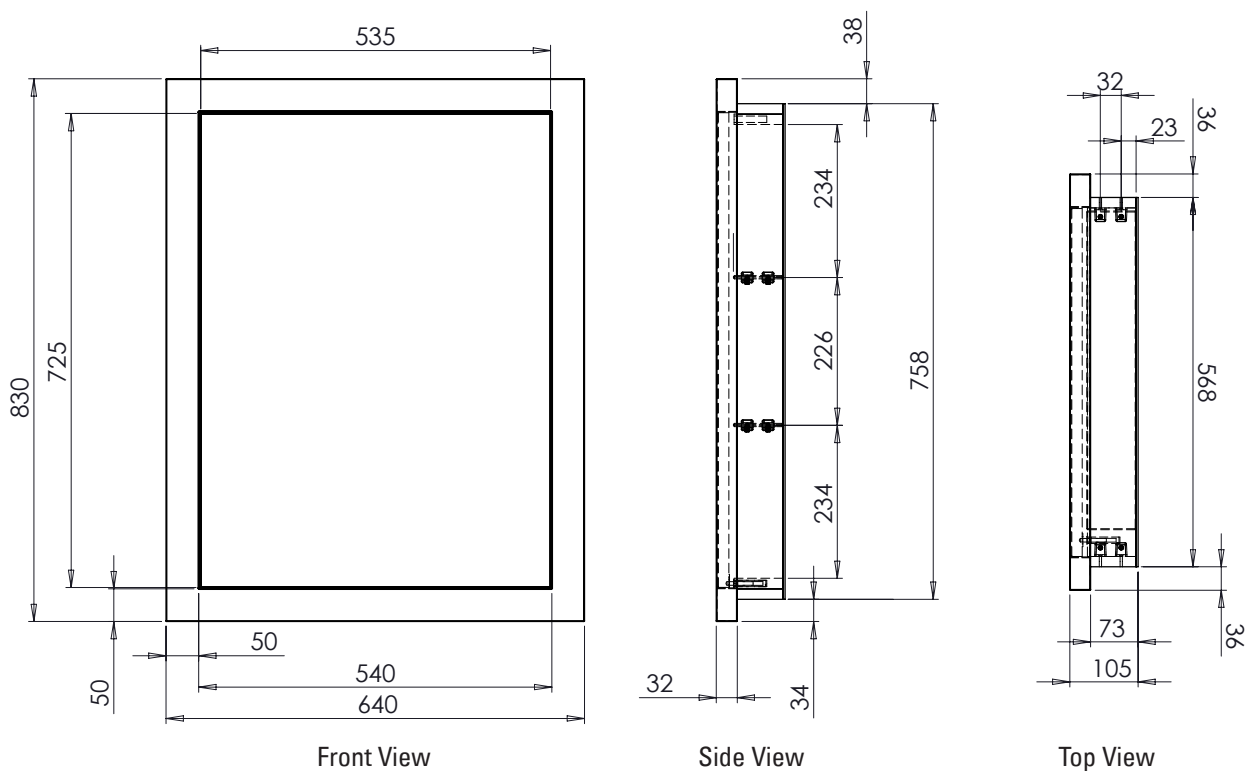
SCHEME

Dimensions - Mirror Door Column 1400



Diagrams not to scale
All dimensions in mm
tolerance of +5mm

Dimensions - Single Door 75 Recessed Cabinet



Diagrams not to scale
All dimensions in mm
tolerance of +5mm

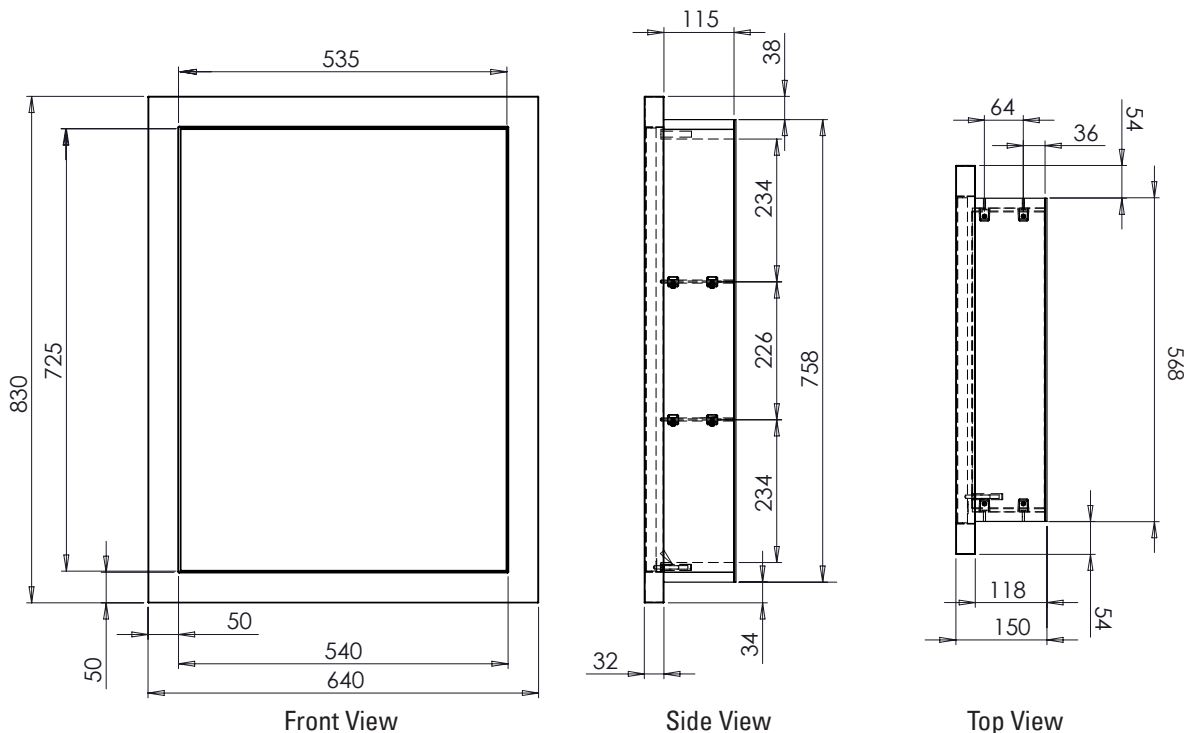
Note: When cutting holes for the recessed cabinet, it is advised to cut the hole with tolerance - approx. 572mm x 764mm

Check final product before making final cuts in the wall.

Technical Data Sheet

SCHEME

Dimensions - Single Door 120 Recessed Cabinet

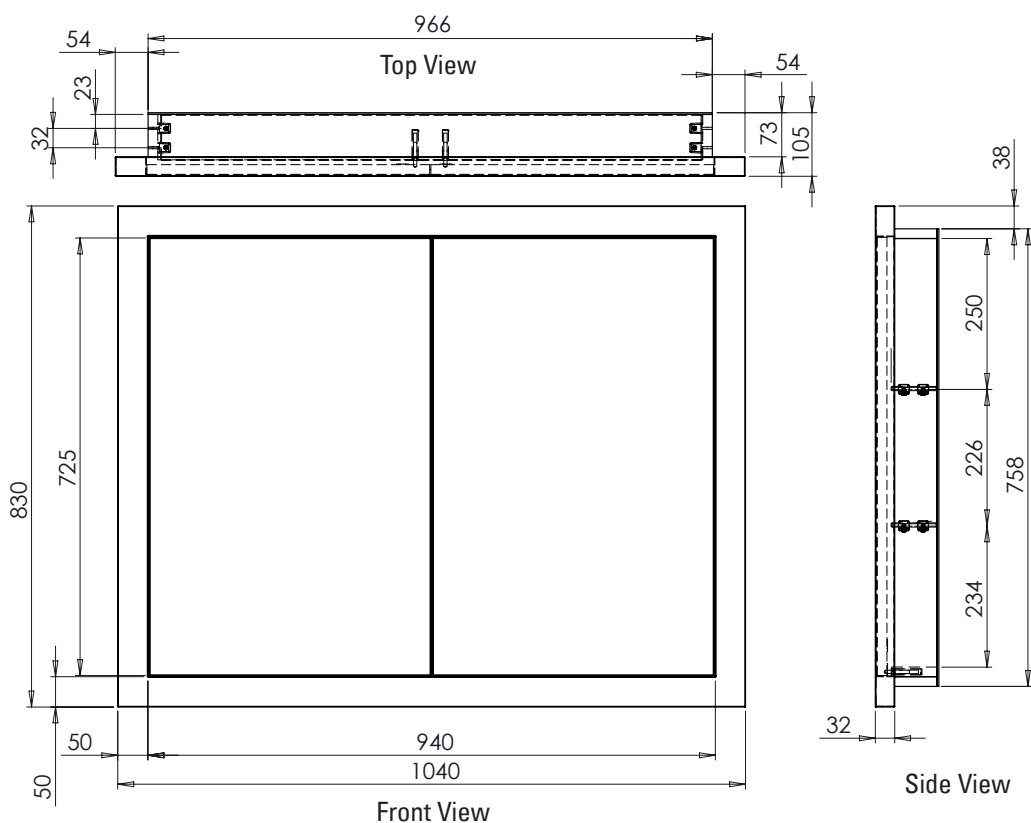


Diagrams not to scale
All dimensions in mm
tolerance of +5mm

Note: When cutting holes for the recessed cabinet, it is advised to cut the hole with tolerance - approx. 572mm x 764mm

Check final product before making final cuts in the wall.

Dimensions - Double Door 75 Recessed Cabinet



Diagrams not to scale
All dimensions in mm
tolerance of +5mm

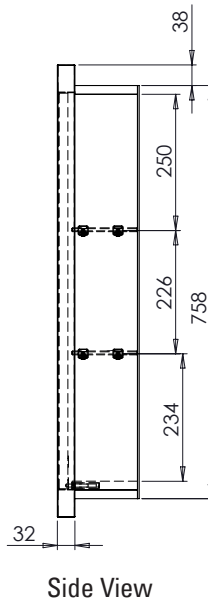
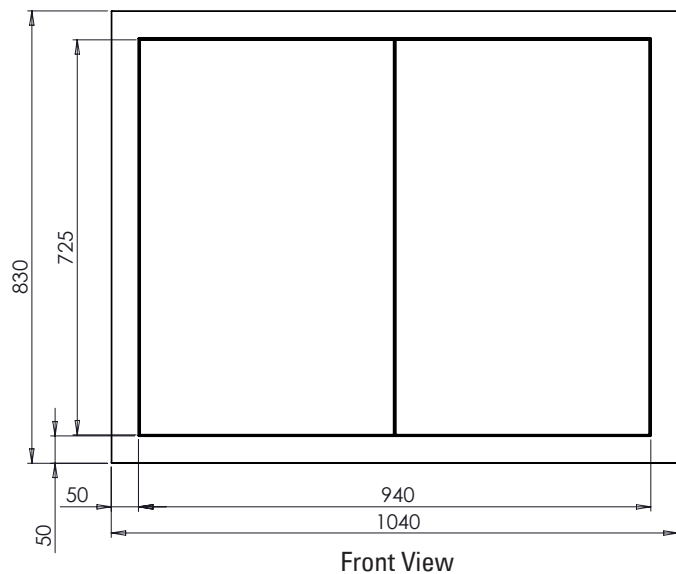
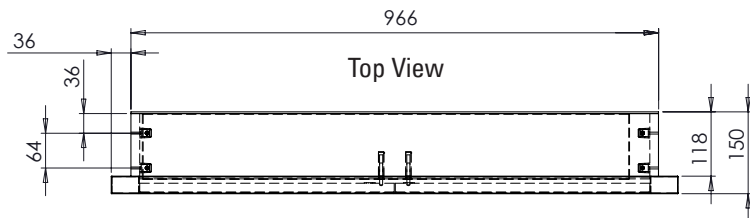
Note: When cutting holes for the recessed cabinet, it is advised to cut the hole with tolerance - approx. 972mm x 764mm

Check final product before making final cuts in the wall.

Technical Data Sheet

SCHEME

Dimensions - Double Door 120 Recessed Cabinet

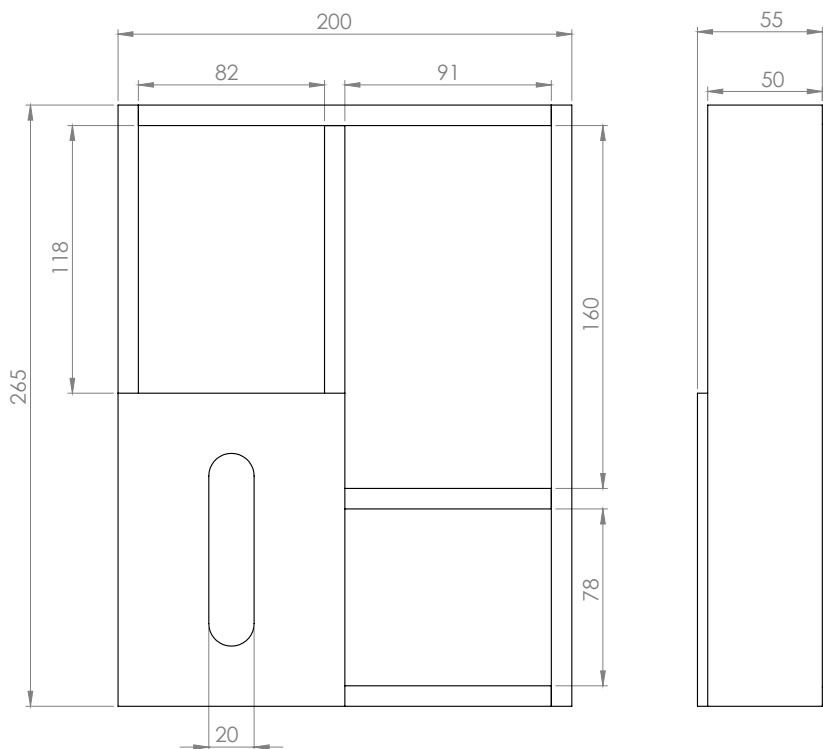


Diagrams not to scale
All dimensions in mm
tolerance of +5mm

Note: When cutting holes for the recessed cabinet, it is advised to cut the hole with tolerance - approx. 972mm x 764mm

Check final product before making final cuts in the wall.

Dimensions - 200 Storage Box



Diagrams not to scale
All dimensions in mm
tolerance of +5mm