

Scheme Recessed cabinets

Installation & aftercare instructions

Please retain for future reference

Installation Procedure:

SAFETY NOTES

Wear suitable eye protection when drilling. Take care when using power tools near water - the use of a residual current device (RCD) is recommended. Beware of hidden pipes or cables. Take care when drilling tiled surfaces as the drill might slip. Use a piece of masking tape to prevent the drill from wandering.

DO NOT strike glass components with hard or pointed items. DO NOT place very hot or very cold items against or in close proximity to glass surfaces unless an adequately thick insulation material is used to prevent such items coming in contact with the glass.

The nominal thickness of the mirror glass used in this product is 5mm. If the glass becomes chipped or broken replace immediately. For replacement glass and other components contact customer services at the address below.

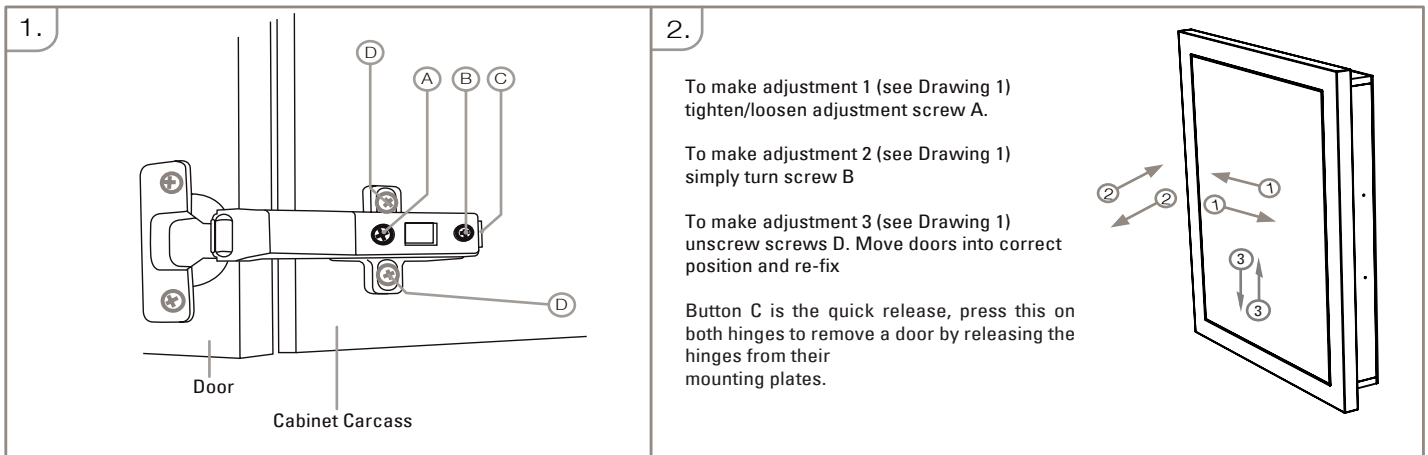
Maximum evenly distributed load for each shelf is 3Kg

Door reversing - single door cabinet only

On the single door cabinet you can choose left or right handed opening. Once the handing has been chosen install the touch to open catch into the hole in the bottom corner of the cabinet and cover the other hole (which will be at the top) with the cover sticker provided

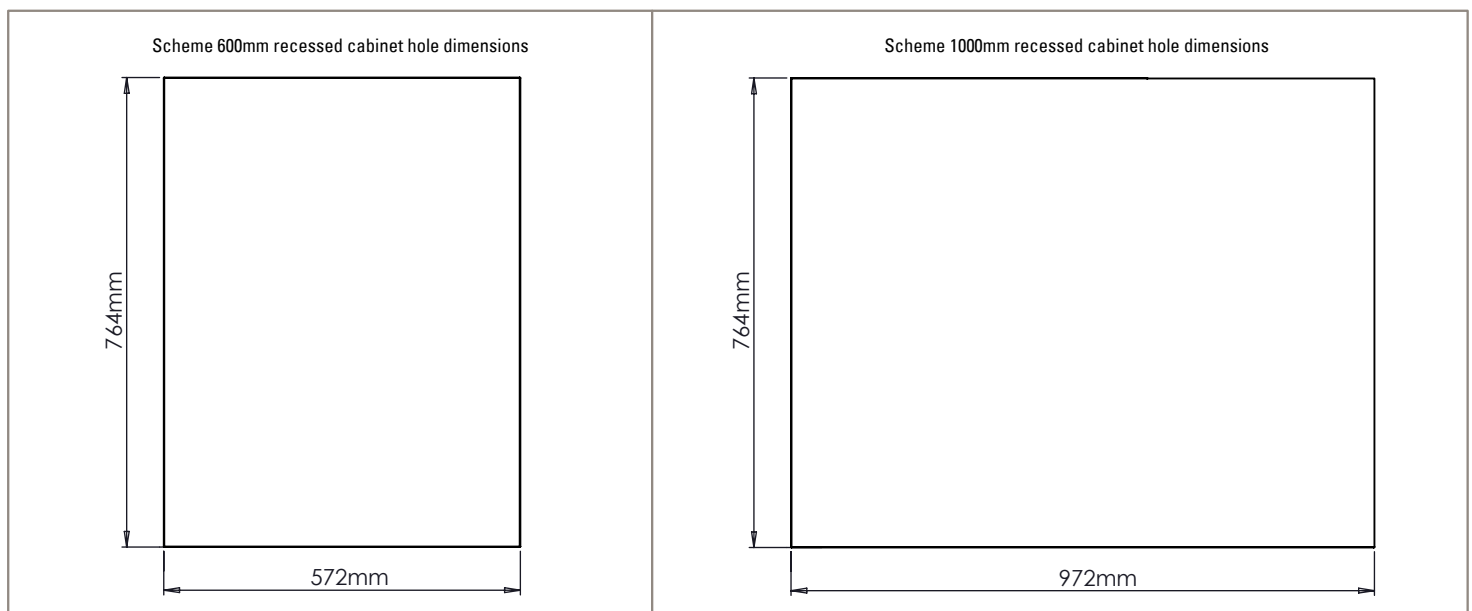
Hinge adjustment / door removal

Hinges may require adjustment for correct door alignment. This is achieved with the adjustable soft close hinges using the adjustment screws A, B and D (see Drawing 1). To access these you will first have to remove the screw cap cover. The hinges also feature a quick release mechanism to quickly and easily detach the door from the furniture frame, this is activated by pressing button C (see Diagram 1).



Installation procedure

Before installing the cabinet into a recess ensure the construction of the partition wall is correct. The studs and noggins need to be suitably spaced and of suitable strength to allow the cabinet to fit tightly into the recess. The height and width for the hole required in the wall should be cut according to diagrams below - these allow for 2-3mm tolerance in the width and height per side. Please also check the physical product before making final cuts. The stud wall will need to support the weight of the cabinet whilst the screws provided will secure it in place.



Scheme recessed cabinets

Installation & aftercare instructions

Please retain for future reference

Remove the cabinet door(s) using the quick release mechanism (See Diagram 1).

Screw the metal dowels into the front décor frame and check that these line up correctly with the holes in the cabinet frame. Secure in place using camlocks on outside of the cabinet. (Diagram 3)

Hold the cabinet in place and fix into batons built into wall using screws through the shelf lug holes, ensuring that the back of the frame is sitting flush against the wall (Diagram 4). Ensure that all screws are fully tight working around them in turn.

NOTE - THE DOORS HAVE 3 HINGES DUE TO WEIGHT. THE CABINET SHOULD BE PUT INTO THE WALL SUCH THAT THE 2 HINGES WHICH ARE CLOSE TOGETHER ARE AT THE TOP OF THE UNIT. THE TOUCH TO OPEN CATCH(ES) WILL BE AT THE BOTTOM OF THE CABINET

Fit glass selves into place and lock using screws on underside of shelf lugs (Diagram 5)

