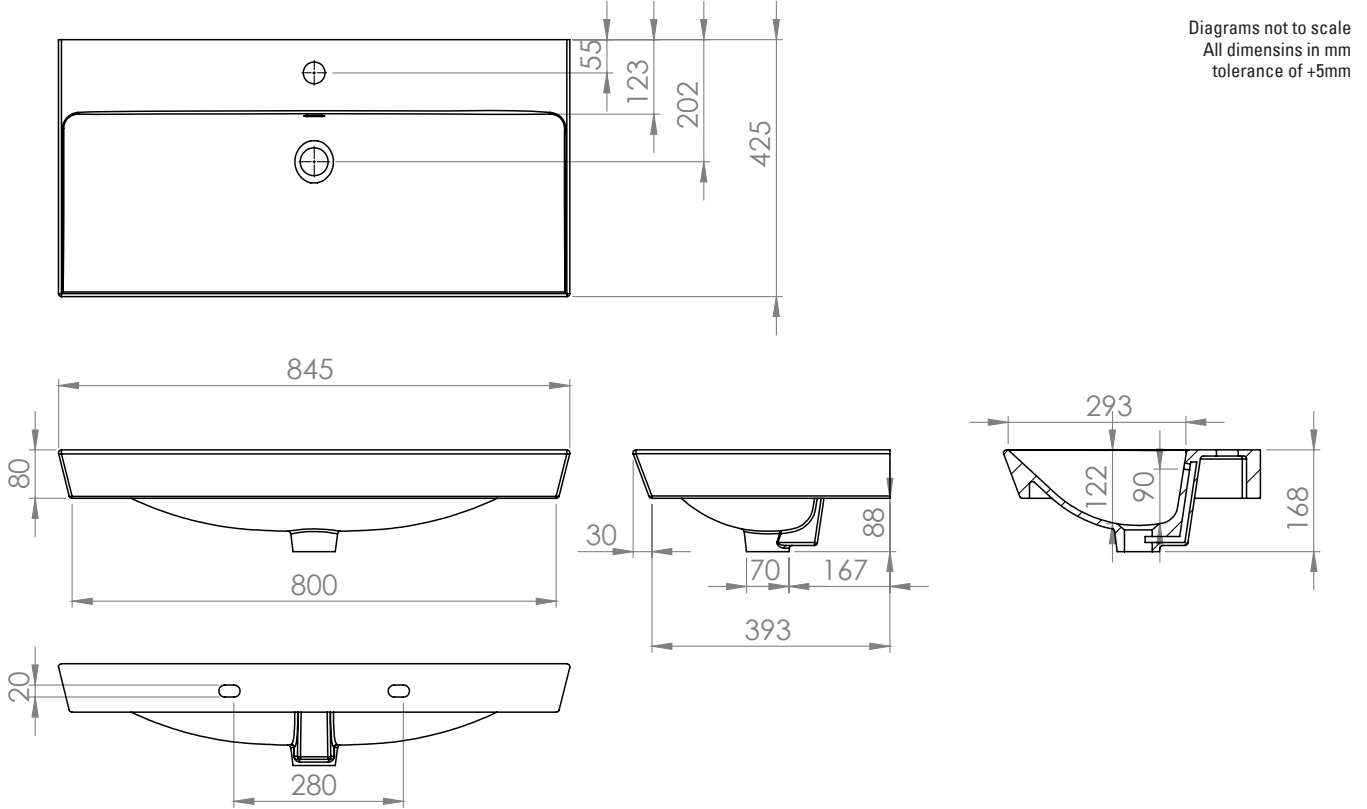
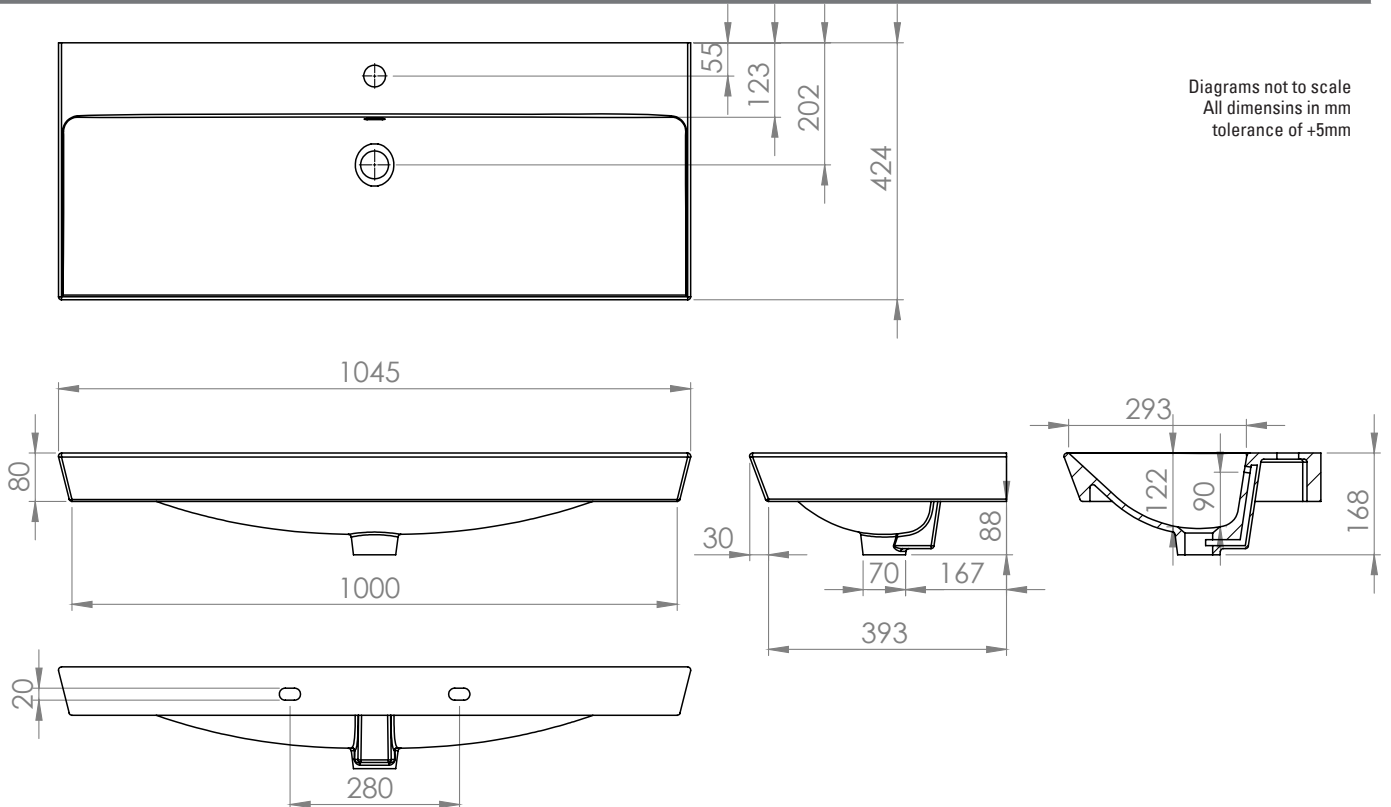


Dimensions - Ceramic Basin 800



Diagrams not to scale
All dimensions in mm
tolerance of +5mm

Dimensions - Ceramic Basin 1000



Diagrams not to scale
All dimensions in mm
tolerance of +5mm