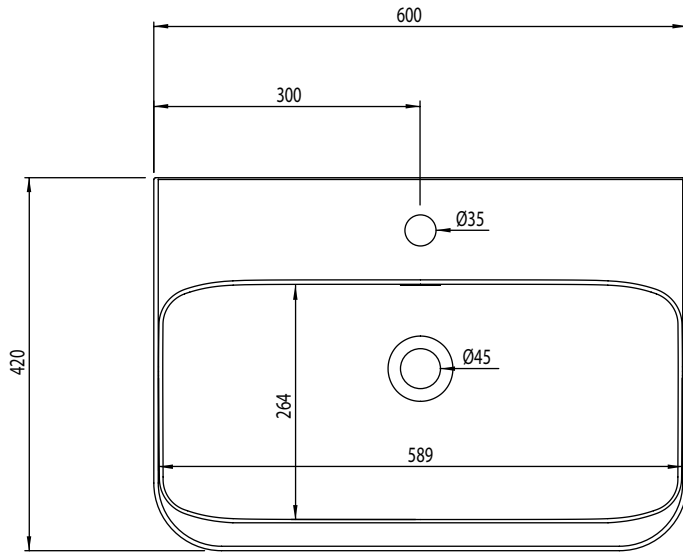


Technical Data Sheet

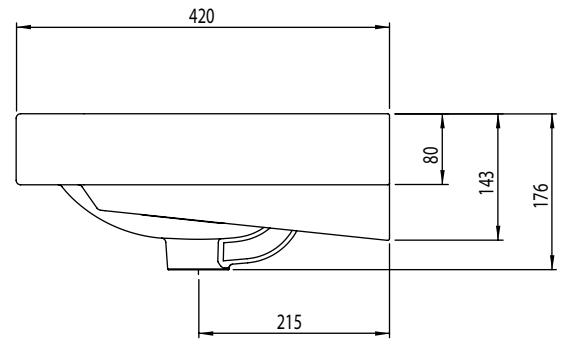
SYSTEM 600mm Ceramic Basin

Whats in the box: 1x SYS600C

ROPER RHODES®



Diagrams not to scale
All dimensions in mm
tolerance of +/-5mm



**Dimensions are subject to change, customers are advised to measure actual product before commencing installation.

Materials

Basin: Ceramic

FAQs

- | | |
|---|--------------------------------|
| Q: What is the maximum water depth of the basin? | A: 95mm up to the overflow. |
| Q: What is the distance of the wall fixings? | A: N/A |
| Q: Whats is the width of the Tapledge? | A: The Tapledge is 120mm wide. |
| Q: What is the distance from the Taphole centre to Basin Waste? | A: 155mm |
| Q: What is the basin's overflow rating? | A: CL20 (12 litres per minute) |