

Technical Data Sheet

ROPER RHODES®

Recite 2F Concealed shower Valve CH - SV4019

No.	Description	Code	Fixings Included
1	Recite 2F Concealed shower Valve Brass	SV4019	YES

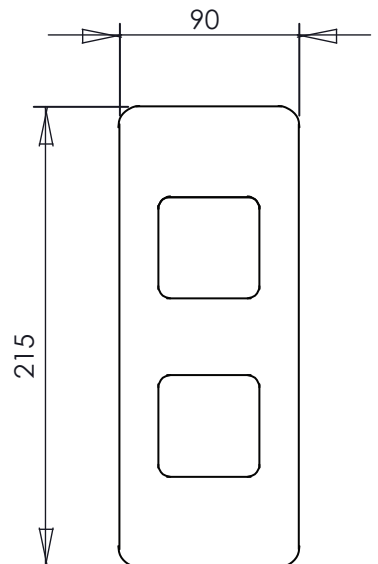
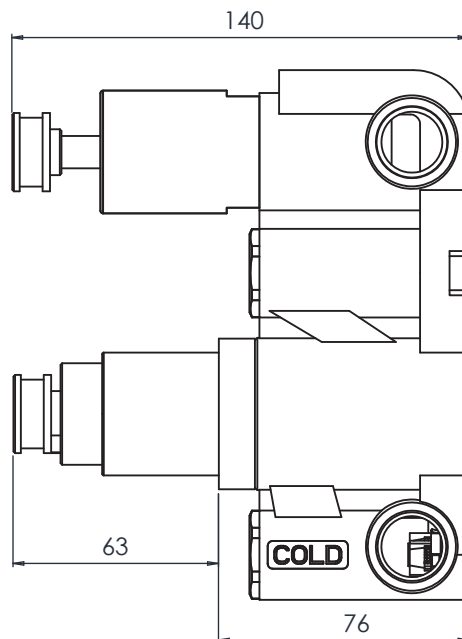
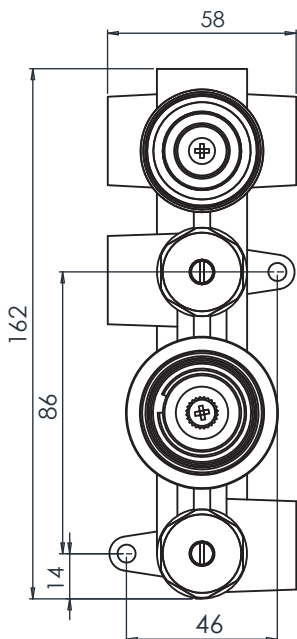


FLOW RATE DATA IS TESTED UNDER LABORATORY CONDITIONS: ACTUAL FLOW RATE MAY VARY DEPENDING ON DOMESTIC SUPPLY AND ACCESSORIES

Minimum Pressure:	1BAR
Inlet Pressure	Flow Rate (l/min)
1bar	11.6
2bar	17
3bar	21

Dimensions - SV4019

Diagrams not to scale. All dimensions in mm (tolerance of +/-5mm)



FAQs

What is included in the valve box? The valve, a cover plate, a set of handles and trim rings.

What is the size of the connections? The valve uses 1/2" connections.

What is the recommended operating pressure? 1.0bar

Components

Valve - RR20

Brass Valve Plate - SVCOMP17

Brass Valve Handle - SVHANREC.BR