



600 Wall Mounted Unit

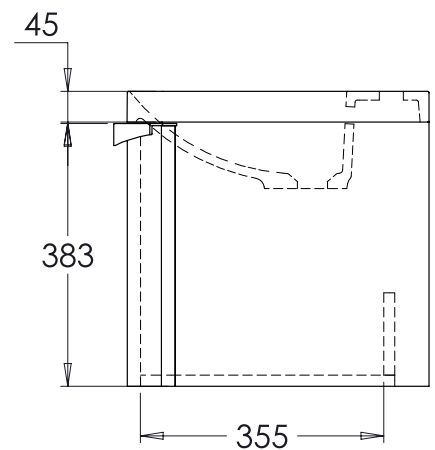
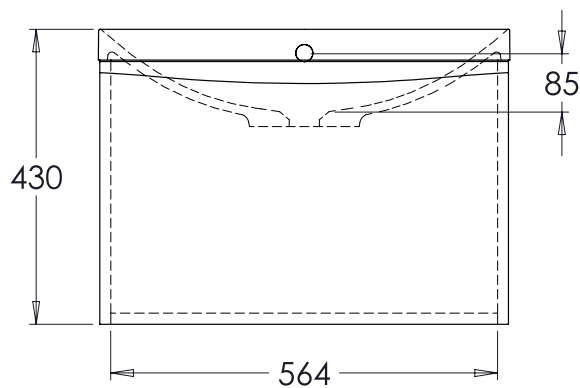
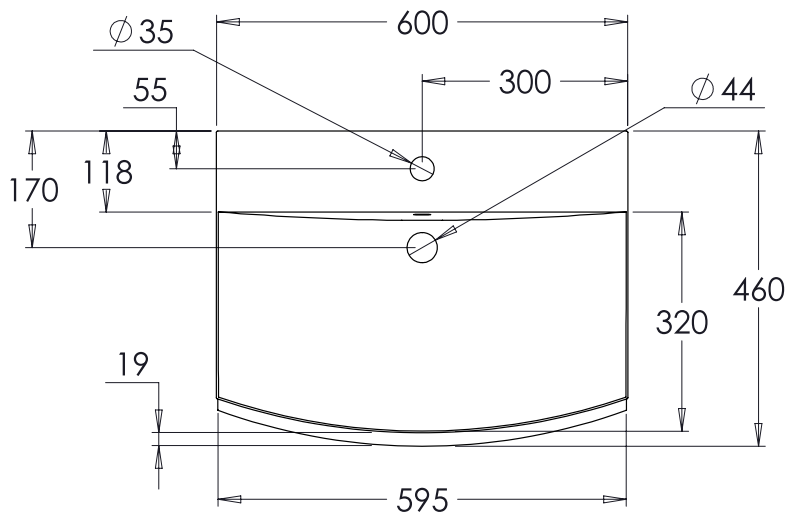
ROPER RHODES®
BATH



NO.	DESCRIPTION	PRODUCT CODE	FIXINGS INCLUDED?	GROSS WEIGHT	NET WEIGHT
1	SERIF 600 ISOCAST BASIN	SER600C	YES		
2	SERIF 600 WALL MOUNTED UNIT WHITE	SER600W	YES		
3	SERIF 600 WALL MOUNTED UNIT LIGHT ELM	SER600LE	YES		

DIMENSIONS

DIAGRAMS NOT TO SCALE
ALL DIMENSIONS IN MM
TOLERANCE OF ± 5MM



900 Wall Mounted Unit - Left

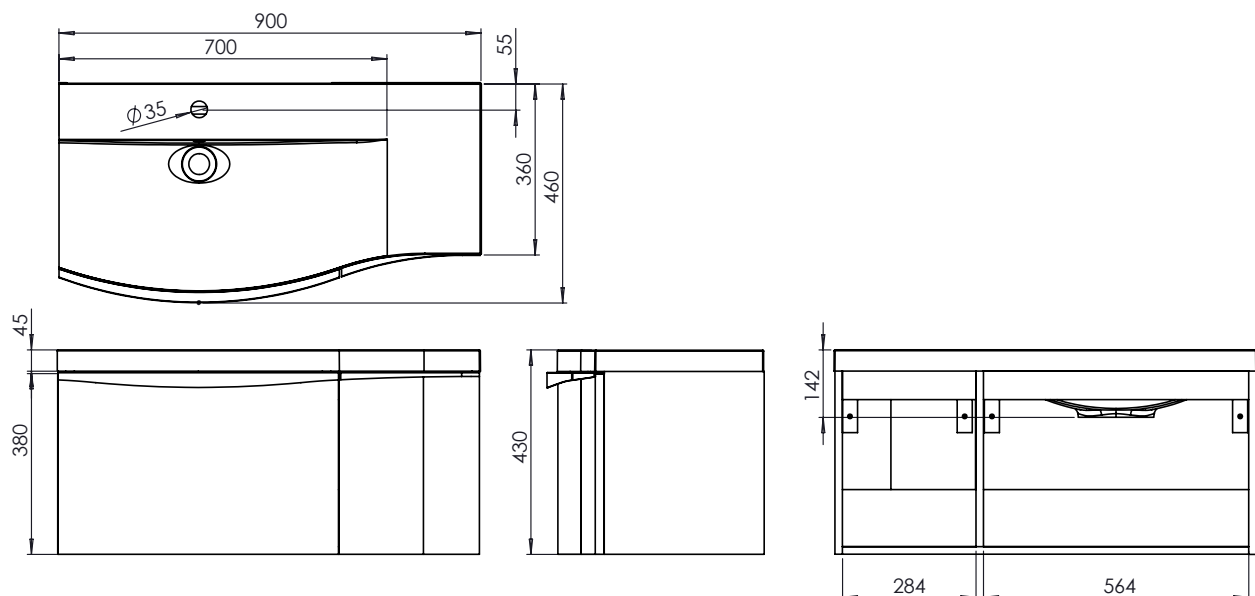
ROPER RHODES®
BATH



NO.	DESCRIPTION	PRODUCT CODE	FIXINGS INCLUDED?	GROSS WEIGHT	NET WEIGHT
1					
2					
3					
4					
5					

DIMENSIONS

DIAGRAMS NOT TO SCALE
ALL DIMENSIONS IN MM
TOLERANCE OF ± 5MM



900 Wall Mounted Unit - Right

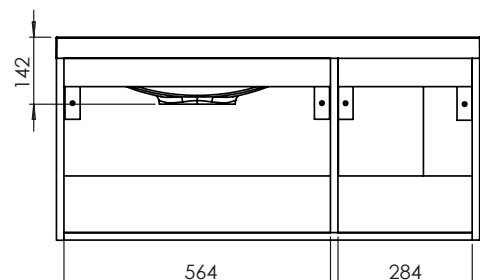
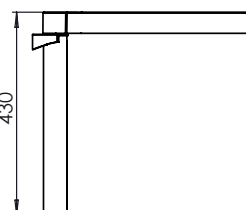
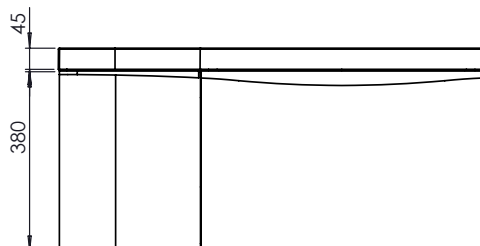
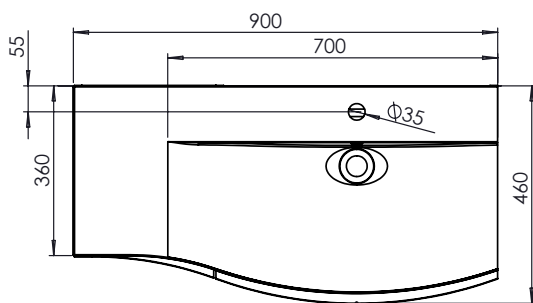
ROPER RHODES®
BATH



NO.	DESCRIPTION	PRODUCT CODE	FIXINGS INCLUDED?	GROSS WEIGHT	NET WEIGHT
1	SERIF 900 ISOCAST BASIN - RIGHT	SER900RHC	YES	14.3kg	14.45kg
2	SERIF 900 WALL MOUNTED UNIT - RIGHT - WHITE	SER900RW	YES	23.7kg	23.7kg
3	SERIF 900 WALL MOUNTED UNIT - RIGHT - LIGHT ELM	SER900RLE	YES	23.7kg	23.7kg
4	SERIF 900 WALL MOUNTED UNIT - RIGHT - GLOSS DARK CLAY	SER900RGDC	YES	23.7kg	23.7kg
5	SERIF 900 WALL MOUNTED UNIT - RIGHT - LIGHT GREY	SER900RLG	YES	23.7kg	23.7kg

DIMENSIONS

DIAGRAMS NOT TO SCALE
ALL DIMENSIONS IN MM
TOLERANCE OF ± 5MM



Serif 1200 Wall Mounted Unit

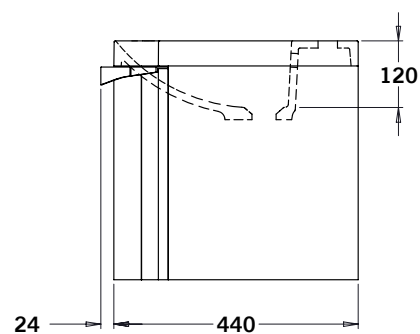
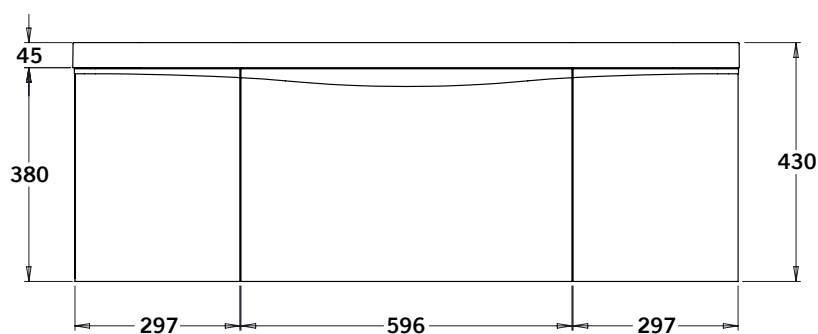
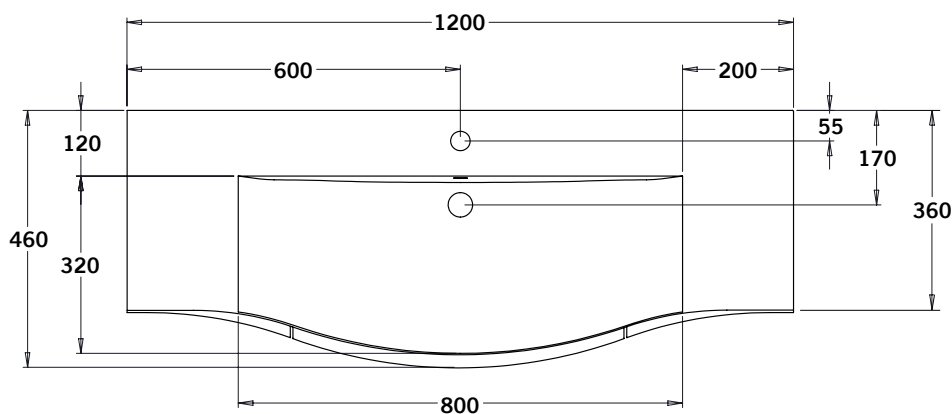
ROPER RHODES®
BATH



NO.	DESCRIPTION	PRODUCT CODE	FIXINGS INCLUDED?	GROSS WEIGHT	NET WEIGHT
1	SERIF 1200 ISOCAST BASIN	SER1200C	YES	18.2kg	18.1kg
2	SERIF 1200 WALL MOUNTED UNIT - WHITE	SER1200W	YES	34kg	34kg
3	SERIF 1200 WALL MOUNTED UNIT - LIGHT ELM	SER1200LE	YES	34kg	34kg
4	SERIF 1200 WALL MOUNTED UNIT - GLOSS DARK CLAY	SER1200GDC	YES	34kg	34kg
5	SERIF 1200 WALL MOUNTED UNIT - LIGHT GREY	SER1200LG	YES	34kg	34kg

DIMENSIONS

DIAGRAMS NOT TO SCALE
ALL DIMENSIONS IN MM
TOLERANCE OF ± 5MM



Q: What type of waste should I use?

A: It needs to be a slotted waste which is used with the overflow kit supplied with every basin

Q: How to I remove the drawer box?

A: Fully extend the drawer box. Lift up and forwards to disconnect from runners. Ensure fully clicked back in place when re-attaching

Q: The basin does not fit correctly on the unit at the front

A: There is a transit bar which must be removed before fitting the basin

Q: Can the basin be repaired if there is a chip

A: It can be re-polished (using for example car cleaning items – Autosol) for small scratches. Large chips cannot be repaired so a new basin would need to be purchased.