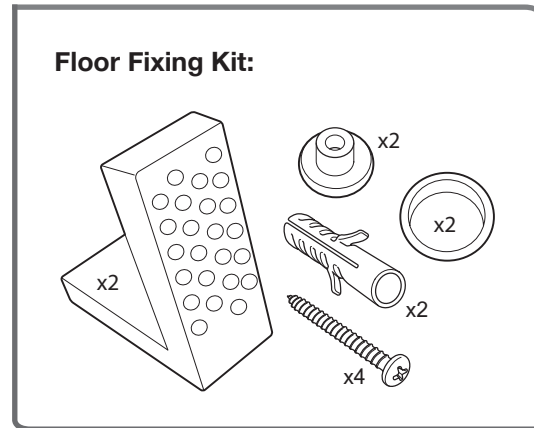


Technical Data Sheet

Accent Back To Wall Pan - ABWPAN

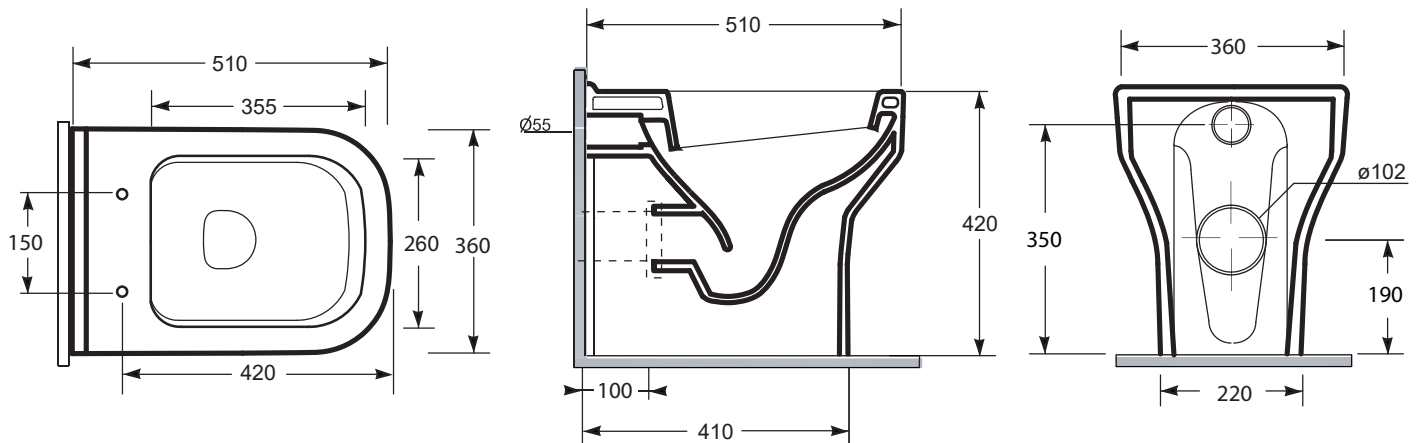
ROPER RHODES®

| No. | Description | Code | Fixings Included |
|-----|-------------------------------------|--------|------------------|
| 1 | Accent Back To Wall Pan 510mm | ABWPAN | Yes |
| 2 | Accent Soft Close QR TF Toilet Seat | ASCTS | Yes |



Dimensions - ABWPAN

Diagrams not to scale. All dimensions in mm (tolerance of +/-5mm)



*Dimensions are subject to change, customers are advised to measure actual product before commencing installation.
 **Fixing point dimensions are for guidance only/the positions of wall fixing must be checked when product is received.

FAQs

Q: Are there any other compatible seats?

A: No, the Accent seat is a specific shape.

Q: Which concealed cistern do I use?

A: Torrent (TR9001) or Cascade (TR9002), depending on whether the water feed is bottom or side access.

Dimensions - ASCTS

| FAQ | Answer |
|--------------------------------|-----------|
| Seat/Lid front to back | 445/435mm |
| Seat/Lid left to right | 365/345mm |
| Ring hole front to back | 280mm |
| ring hole left to right | 220mm |
| Seat overall thickness | 35mm |
| Ring thickness | 15mm |
| Lid thickness | 35mm |
| Width of back of seat | 365mm |
| Min/Max adjustment for fixings | 125-215mm |

Technical Data Sheet

Accent Wall Hung Pan - AWHPAN

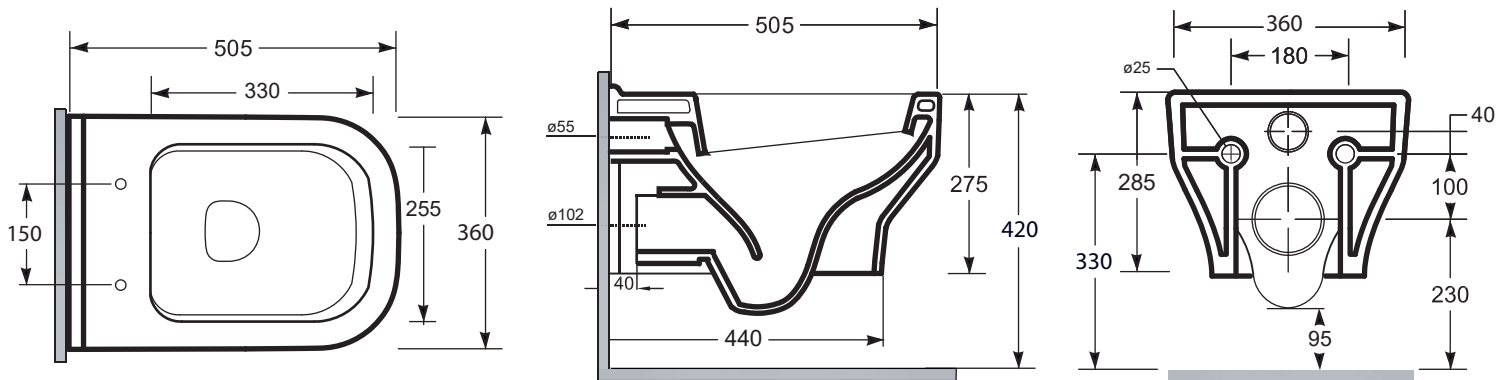
ROPER RHODES®

| No. | Description | Code | Fixings Included |
|-----|-------------------------------------|--------|------------------|
| 1 | Accent Wall Hung Pan 505mm | AWHPAN | No |
| 2 | Accent Soft Close QR TF Toilet Seat | ASCTS | Yes |



Dimensions - AWHPAN

Diagrams not to scale. All dimensions in mm (tolerance of +/-5mm)



*Dimensions are subject to change, customers are advised to measure actual product before commencing installation.
 **Fixing point dimensions are for guidance only/the positions of wall fixing must be checked when product is received.

FAQs

Q: Do I need to use a wall hung frame?

A: Yes. It is essential that this product is installed onto a frame.

Q: Does the pan use concealed fixings?

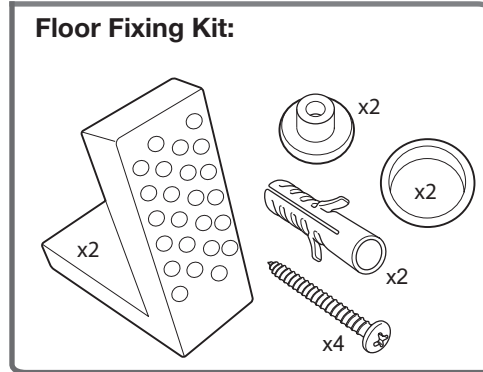
A: No, use the standard bolts, nuts and caps that are supplied with any wall hung frame.

Technical Data Sheet

ROPER RHODES®

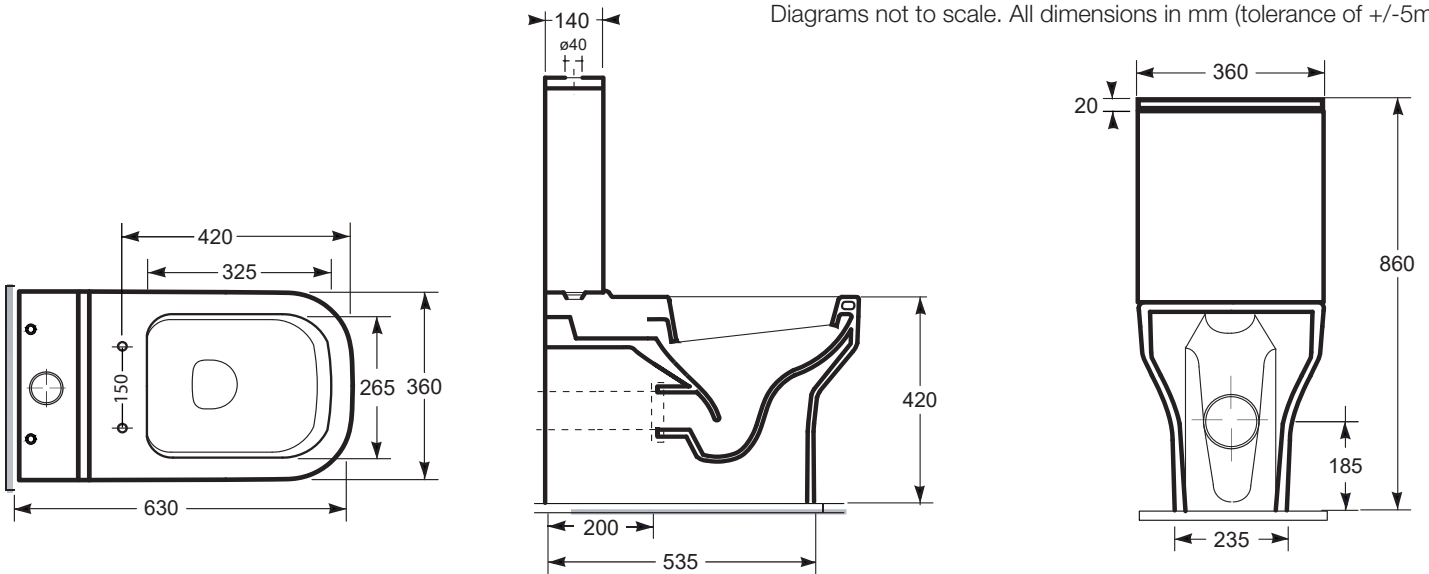
Accent CC Fully BTW Pan - ACCPAN/ACCTNK

| No. | Description | Code | Fixings Included |
|-----|---|--------|------------------|
| 1 | Accent Close Coupled Fully BTW Pan 630mm | ACCPAN | Yes |
| 2 | Accent CC 4.5/3L Cistern with Geberit Mech. | ACCTNK | Yes |
| 3 | Accent Soft Close QR TF Toilet Seat | ASCTS | Yes |



Dimensions - ACCPAN / ACCTNK

Diagrams not to scale. All dimensions in mm (tolerance of +/-5mm)



*Dimensions are subject to change, customers are advised to measure actual product before commencing installation.
 **Fixing point dimensions are for guidance only/the positions of wall fixing must be checked when product is received.

FAQs

Q: Are there any other compatible seats?

A: No

Q: Can this pan be used with a side connection outlet pipe?

A: No

Q: Which cistern fittings are supplied?

A: Geberit. These are factory set to flush at 4.5/3 L.

Q: Can this WC be used over an old 's' trap installation?

A: Yes. Use appropriate McAlpine connector.

Technical Data Sheet

Accent 700X430 Basin - A70SB

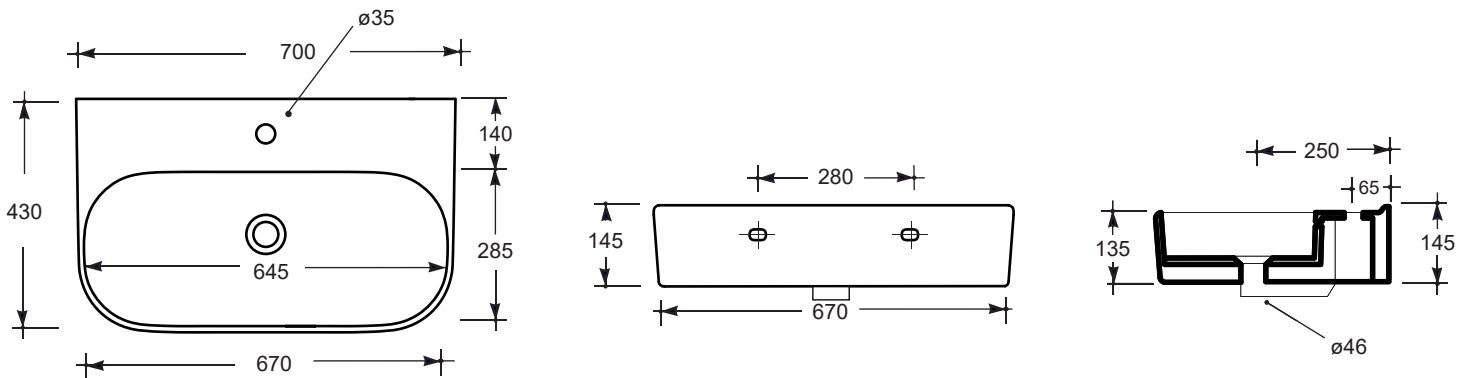
ROPER RHODES®

| No. | Description | Code | Fixings Included |
|-----|--------------------------|-------|------------------|
| 1 | Accent 700X430 Basin 1TH | A70SB | Yes |



Dimensions - A70SB

Diagrams not to scale. All dimensions in mm (tolerance of +/-5mm)



*Dimensions are subject to change, customers are advised to measure actual product before commencing installation.
 **Fixing point dimensions are for guidance only/the positions of wall fixing must be checked when product is received.

FAQs

Q: Does the basin have an overflow?

A: Yes, Integrated.

Q: Can this basin be mounted using a semi-pedestal?

A: Yes, use code NSMP.

Q: What is the maximum water depth of the basin?

A: 82mm up to the overflow.

Q: How thick is the basin edge?

A: 14 mm.

Q: Can this basin be wall hung?

A: Yes. Fischer bolts are supplied for use in solid walls.

Technical Data Sheet

Accent 600X430 Basin - A60SB

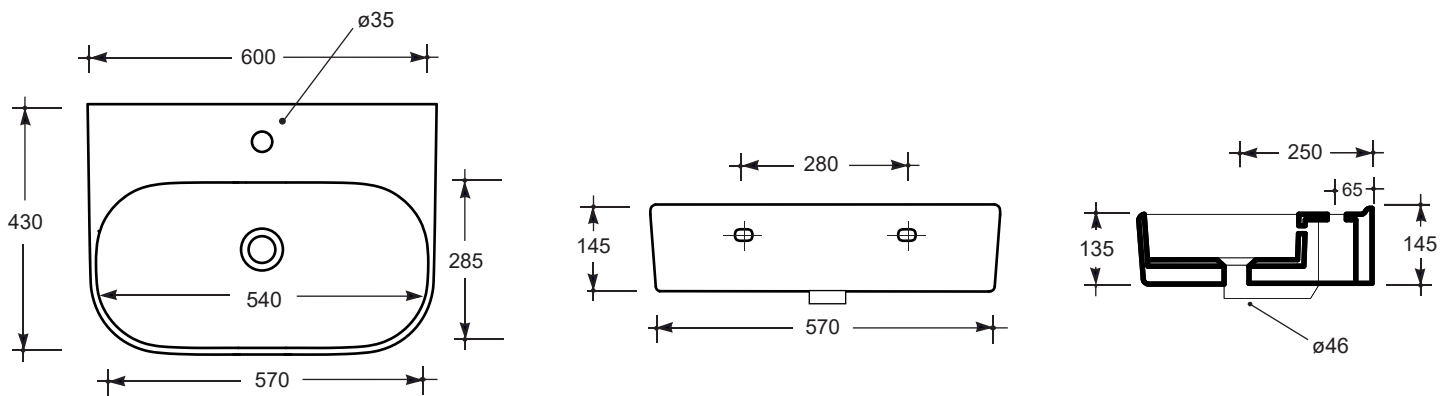
ROPER RHODES®

| No. | Description | Code | Fixings Included |
|-----|--------------------------|-------|------------------|
| 1 | Accent 600X430 Basin 1TH | A60SB | Yes |



Dimensions - A60SB

Diagrams not to scale. All dimensions in mm (tolerance of +/-5mm)



*Dimensions are subject to change, customers are advised to measure actual product before commencing installation.
 **Fixing point dimensions are for guidance only/the positions of wall fixing must be checked when product is received.

FAQs

Q: Does the basin have an overflow?

A: Yes, Integrated.

Q: What is the maximum water depth of the basin?

A: 82mm up to the overflow.

Q: Can this basin be wall hung?

A: Yes. Fischer bolts are supplied for use in solid walls.

Q: Can this basin be mounted using a semi-pedestal?

A: Yes, use code NSMP.

Q: How thick is the basin edge?

A: 14 mm.

Technical Data Sheet

Accent 500X430 Basin - A50SB

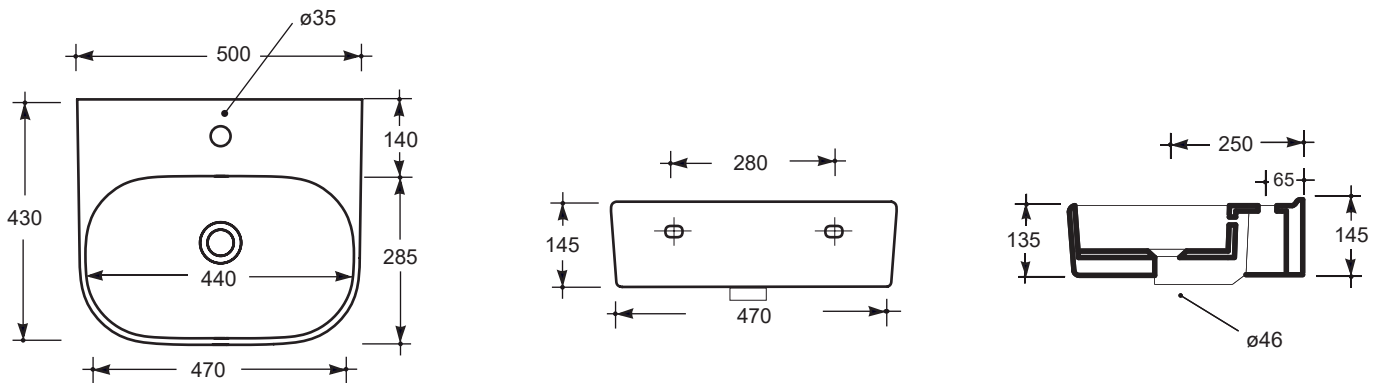
ROPER RHODES®

| No. | Description | Code | Fixings Included |
|-----|--------------------------|-------|------------------|
| 1 | Accent 500X430 Basin 1TH | A50SB | Yes |



Dimensions - A50SB

Diagrams not to scale. All dimensions in mm (tolerance of +/-5mm)



*Dimensions are subject to change, customers are advised to measure actual product before commencing installation.
 **Fixing point dimensions are for guidance only/the positions of wall fixing must be checked when product is received.

FAQs

Q: Does the basin have an overflow?

A: Yes, Integrated.

Q: Can this basin be mounted using a semi-pedestal?

A: Yes, use code NSMP.

Q: What is the maximum water depth of the basin?

A: 82mm up to the overflow.

Q: How thick is the basin edge?

A: 13 mm.

Q: Can this basin be wall hung?

A: Yes. Fischer bolts are supplied for use in solid walls.

Technical Data Sheet

Accent STD 560 SCT Basin - A3SCBAS

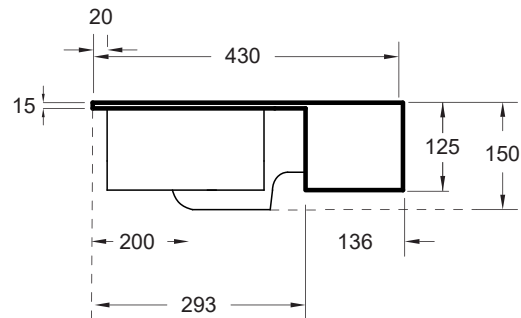
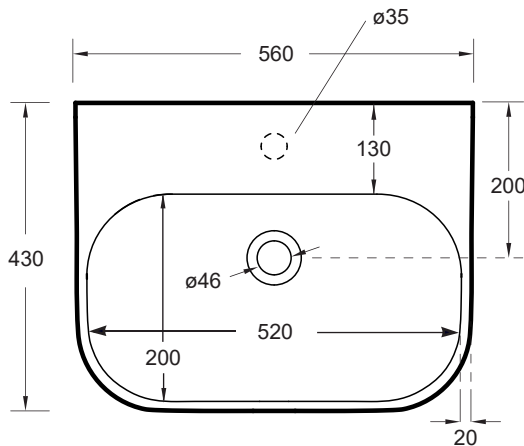
ROPER RHODES®

| No. | Description | Code | Fixings Included |
|-----|------------------------------------|---------|------------------|
| 1 | Accent STD Depth 560 SCT Basin 1TH | A3SCBAS | Yes |



Dimensions - A3SCBAS

Diagrams not to scale. All dimensions in mm (tolerance of +/-5mm)



*Dimensions are subject to change, customers are advised to measure actual product before commencing installation.

**Fixing point dimensions are for guidance only/the positions of wall fixing must be checked when product is received.

FAQs

Q: Does the basin have an overflow?

A: Yes, Integrated.

Q: What is the maximum water depth of the basin?

A: 82mm up to the overflow.

Q: Is a fitting template supplied?

A: Yes.

Q: How is the basin fixed to the furniture?

A: Fix to workspace with silicone as per instructions supplied.

Technical Data Sheet

Accent SLIM 550 SCT Basin - A2SCBAS

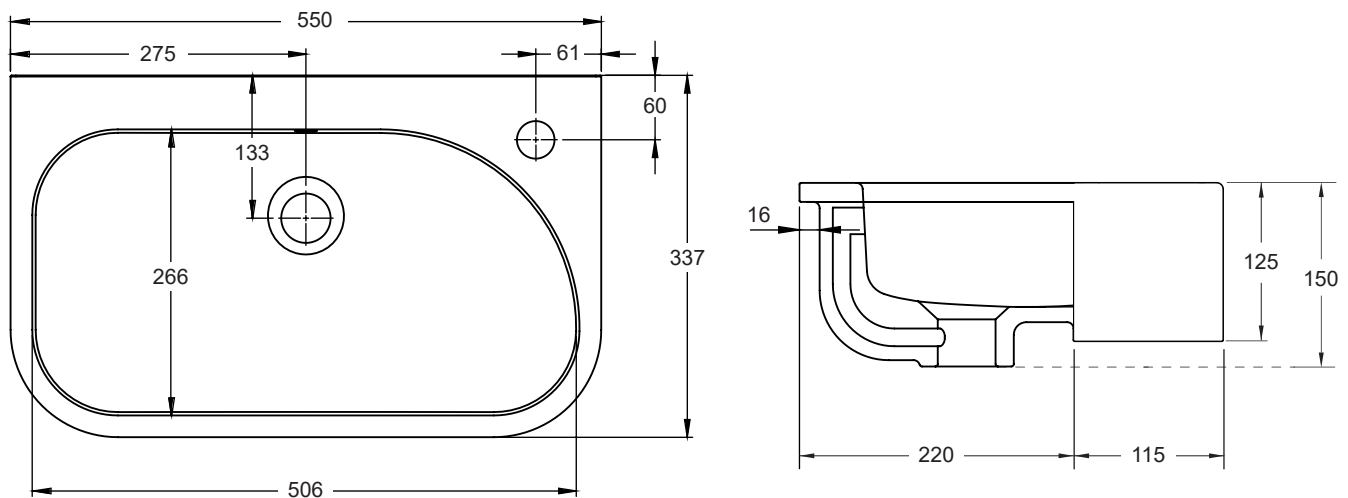
ROPER RHODES®

| No. | Description | Code | Fixings Included |
|-----|-------------------------------------|---------|------------------|
| 1 | Accent SLIM Depth 550 SCT Basin 1TH | A2SCBAS | Yes |



Dimensions - A2SCBAS

Diagrams not to scale. All dimensions in mm (tolerance of +/-5mm)



*Dimensions are subject to change, customers are advised to measure actual product before commencing installation.

**Fixing point dimensions are for guidance only/the positions of wall fixing must be checked when product is received.

FAQs

Q: Does the basin have an overflow?

A: Yes, Integrated.

Q: What is the maximum water depth of the basin?

A: 82mm up to the overflow.

Q: Is a fitting template supplied?

A: Yes.

Q: How is the basin fixed to the furniture?

A: Fix to workspace with silicone as per instructions supplied.