

Technical Data Sheet

ROPER RHODES®

Wessex Shower Systems

No.	Description	Code	Fixings Included
1	Wessex Dual Function Shower System With Shower Head & Handset	SVSET97	YES



Inlet Pressure	Flow Rate (l/min)
0.5bar	15.91
1bar	22.50
2bar	31.82
3bar	35.00
4bar	45.00
5bar	49.86

Flow from valve may vary depending on accessories and domestic supply.

Components - SVSET97

Diagrams not to scale. All dimensions in mm (tolerance of +/-5mm)

- Dual Function Thermostatic Shower Valve - SV6606
- 460mm Adjustable Brass Fixed Arm - SVARM01
- 250mm Stainless Steel Shower Head - SVHEAD12
- Air-drive Five Function Shower Handset - SVHEAD29
- Brass Shower Hose - SVHOSE01
- Brass Outlet Elbow With Shower Handset Holder - SVACS11

FAQs

How long is the shower hose? 1.5m

What is the minimum pressure for the valve? 0.3bar

What is the valve connection size? 1/2"

Technical Data Sheet

ROPER RHODES®

Wessex Shower Systems

No.	Description	Code	Fixings Included
1	Wessex Dual Function Shower System With Fixed Head & Riser Rail	SVSET98	YES



Inlet Pressure	Flow Rate (l/min)
0.5bar	15.91
1bar	22.50
2bar	31.82
3bar	35.00
4bar	45.00
5bar	49.86

Flow from valve may vary depending on accessories and domestic supply.

Components - SVSET98

Diagrams not to scale. All dimensions in mm (tolerance of +/-5mm)

- Dual Function Thermostatic Shower Valve - SV6606
- 460mm Adjustable Brass Fixed Arm - SVARM01
- 250mm Stainless Steel Shower Head - SVHEAD12
- Air-drive Five Function Shower Handset - SVHEAD29
- Brass Shower Hose - SVHOSE01
- Riser Rail - SVRAIL05
- Outlet Elbow With Shower Handset Holder - SVACS03

FAQs

What is the rail fixing centres? 595mm

How long is the shower hose? 1.5m

What is the minimum pressure for the valve? 0.3bar

What is the valve connection size? 1/2"

Technical Data Sheet

ROPER RHODES®

Wessex Shower Systems

No.	Description	Code	Fixings Included
1	Wessex Triple Function Shower System With Smartflow Bath Filler	SVSET112	YES



Inlet Pressure	Flow Rate (l/min)
1bar	23.60
2bar	33.37
3bar	37.00
4bar	47.20
5bar	52.30

Flow from valve may vary depending on accessories and domestic supply.

Components - SVSET112

Diagrams not to scale. All dimensions in mm (tolerance of +/-5mm)

- Triple Function Thermostatic Shower Valve - SV9909
- 460mm Adjustable Brass Fixed Arm - SVARM01
- 250mm Stainless Steel Shower Head - SVHEAD12
- Air-drive Five Function Shower Handset - SVHEAD29
- Brass Shower Hose - SVHOSE01
- Riser Rail - SVRAIL05
- Brass Wall Elbow - SVACS03
- Smartflow Bath Filler - SVACS02

FAQs

What is the rail fixing centres? 595mm

How long is the shower hose? 1.5m

What is the minimum pressure for the valve? 1bar

What is the valve connection size? 1/2"

Technical Data Sheet

Thermostatic Concealed Valves

ROPER RHODES®

No.	Description	Code	Fixings Included
1	Thermostatic Single Function Valve	SV6613	YES

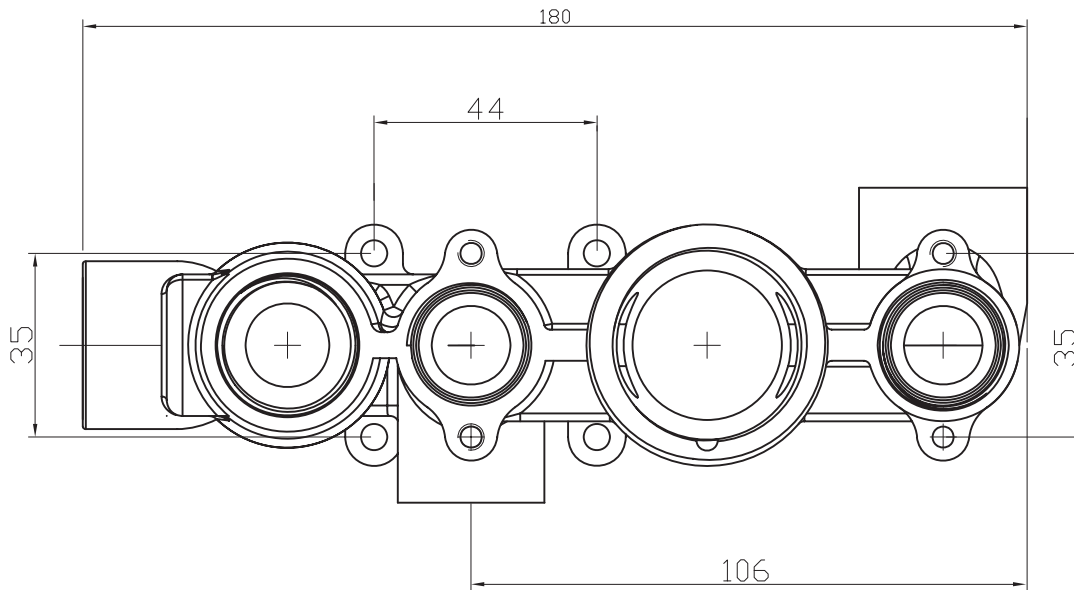


Flow from valve may vary depending on accessories and domestic supply.

Inlet Pressure	Flow Rate (l/min)
0.1bar	7.43
0.2bar	10.50
0.3bar	12.87
0.4bar	14.86
0.5bar	16.61
1bar	23.50
2bar	33.23

Dimensions - SV6613

Diagrams not to scale. All dimensions in mm (tolerance of +/-5mm)



*Dimensions are subject to change, customers are advised to measure actual product before commencing installation.

FAQs

What is included in the valve box? The valve, a cover plate, a set of handles and trim rings.

How many fixing holes does the valve have? Four - two on the bottom and two on top of the valve.

What is the size of the connections? The valve uses 3/4" connections.

Technical Data Sheet

Thermostatic Concealed Valves

ROPER RHODES®

No.	Description	Code	Fixings Included
1	Thermostatic Dual Function Valve	SV6606	YES

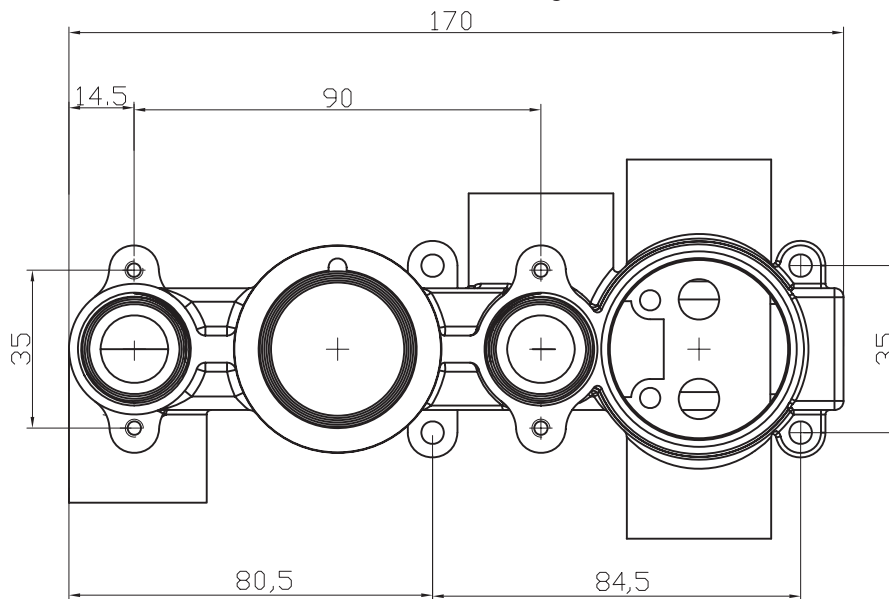


Inlet Pressure	Flow Rate (l/min)
0.3bar	12.32
0.4bar	14.23
0.5bar	15.91
1bar	22.50
2bar	31.82
3bar	35.00

Flow from valve may vary depending on accessories and domestic supply.

Dimensions - SV6606

Diagrams not to scale. All dimensions in mm (tolerance of +/-5mm)



*Dimensions are subject to change, customers are advised to measure actual product before commencing installation.

FAQs

What is included in the valve box? The valve, a cover plate, a set of handles and trim rings.

How many fixing holes does the valve have? Four - two on the bottom and two on top of the valve.

What is the size of the connections? The valve uses 1/2" connections.

Technical Data Sheet

Thermostatic Concealed Valves

ROPER RHODES®

No.	Description	Code	Fixings Included
1	Thermostatic Triple Function Valve	SV6609	YES

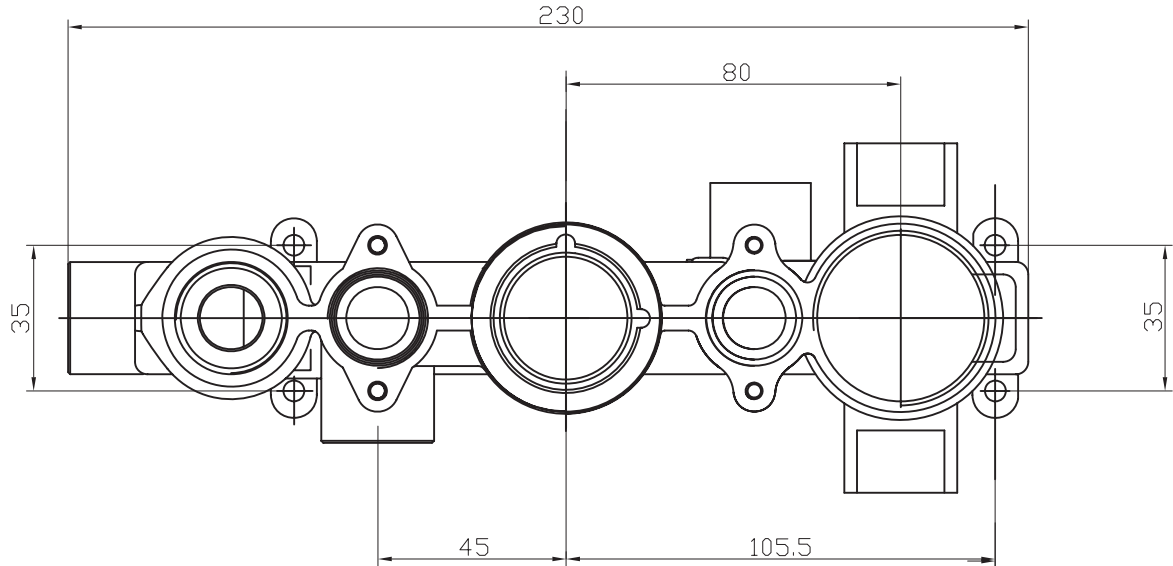


Inlet Pressure	Flow Rate (l/min)
1bar	23.60
2bar	33.37
3bar	37.00
4bar	47.20
5bar	52.30

Flow from valve may vary depending on accessories and domestic supply.

Dimensions - SV6609

Diagrams not to scale. All dimensions in mm (tolerance of +/-5mm)



*Dimensions are subject to change, customers are advised to measure actual product before commencing installation.

FAQs

What is included in the valve box? The valve, a cover plate, a set of handles and trim rings.

How many fixing holes does the valve have? Four - two on the bottom and two on top of the valve.

What is the size of the connections? The valve uses 1/2" connections.

Technical Data Sheet

Thermostatic Concealed Valves

ROPER RHODES®

No.	Description	Code	Fixings Included
1	Thermostatic Dual Function Valve With Outlet	SV6611	YES
2	Thermostatic Dual Function Valve With Handset Outlet	SV6612	YES

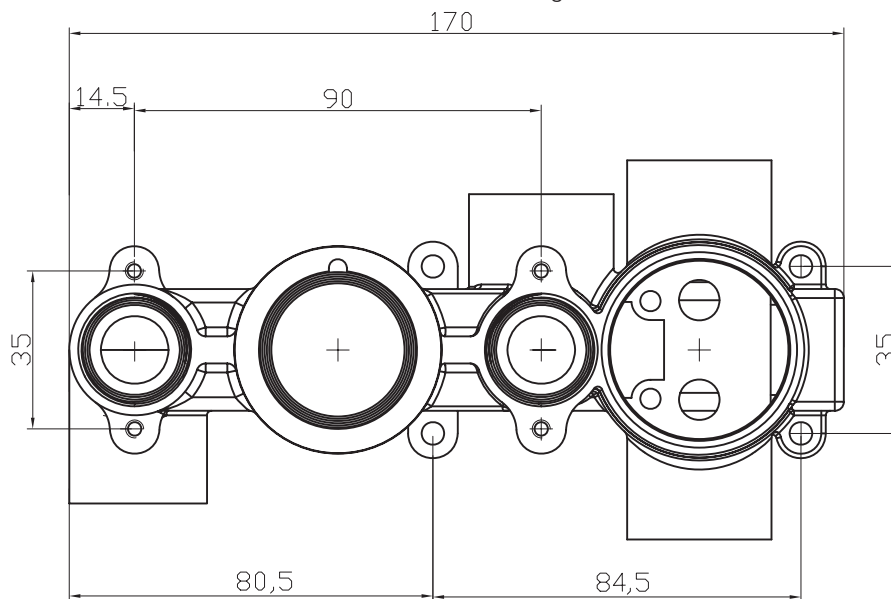


Inlet Pressure	Flow Rate (l/min)
0.3bar	12.32
0.4bar	14.23
0.5bar	15.91
1bar	22.50
2bar	31.82
3bar	35.00

Flow from valve may vary depending on accessories and domestic supply.

Dimensions - SV6611 / SV6612

Diagrams not to scale. All dimensions in mm (tolerance of +/-5mm)



*Dimensions are subject to change, customers are advised to measure actual product before commencing installation.

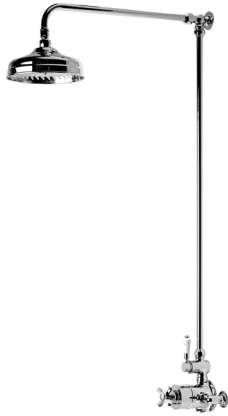
FAQs

What is included in the valve box? The valve, a cover plate, a set of handles and trim rings.

How many fixing holes does the valve have? Four - two on the bottom and two on top of the valve.

What is the size of the connections? The valve uses 1/2" connections.

No.	Description	Code	Fixings Included
1	Wessex Single Function Exposed Shower System	SVSET66	YES



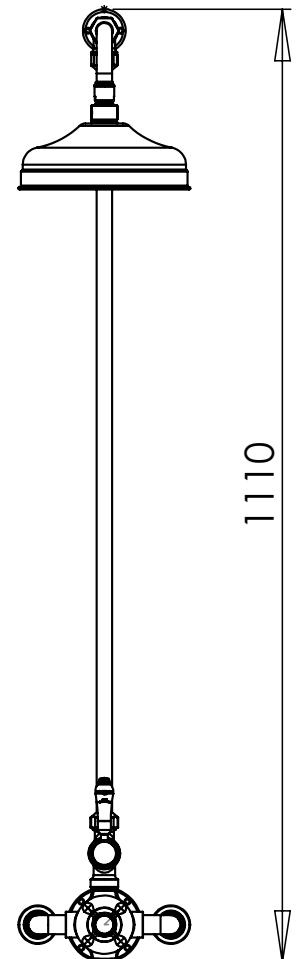
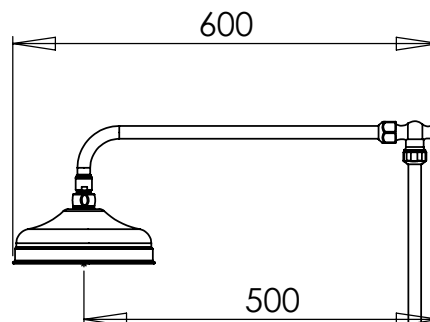
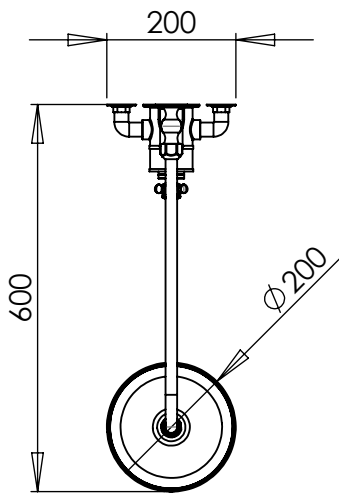
Inlet Pressure	Flow Rate (l/min)
0.3bar	6.74
0.4bar	7.78
0.5bar	8.70
1bar	12.30
2bar	17.39
3bar	18.20

Flow from valve may vary depending on accessories and domestic supply.

Dimensions - SVSET66

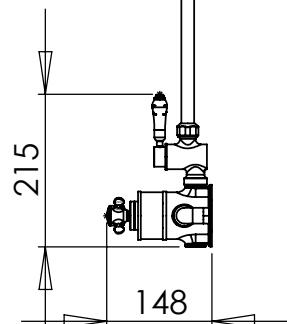
Diagrams not to scale. All dimensions in mm (tolerance of +/-5mm)

*Dimensions are subject to change, customers are advised to measure actual product before commencing installation.



FAQs

FAQ	Answer
Valve Inlet Dimension	1/2 Inch BSP
Adjustment Range of Riser Rail (once fixed to wall) and overhead.	Can be cut shorter
Hose Length	1.5m
What is the diameter of the riser rail?	18mm



Technical Data Sheet

ROPER RHODES®

Wessex Shower Systems

No.	Description	Code	Fixings Included
1	Wessex Dual Function Exposed Shower System	SVSET67	YES



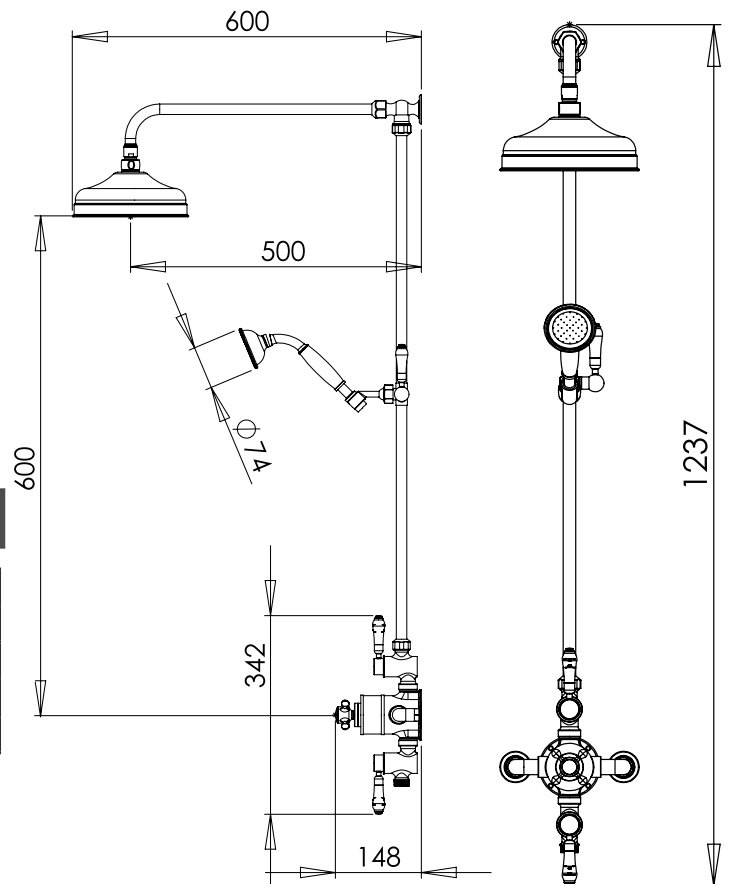
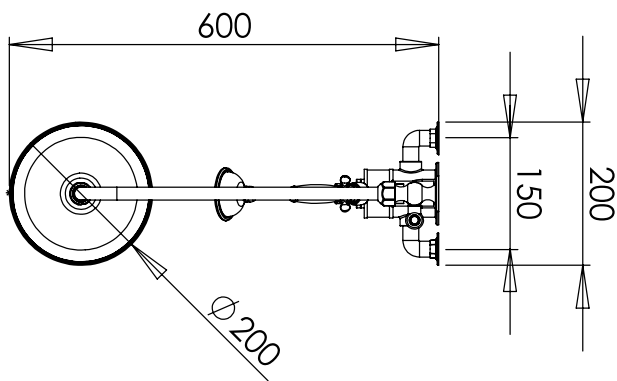
Inlet Pressure	Flow Rate (l/min)
0.5bar	8.63
1bar	12.20
2bar	17.25
3bar	17.80
4bar	24.40
5bar	27.04

Flow from valve may vary depending on accessories and domestic supply.

Dimensions - SVSET50

Diagrams not to scale. All dimensions in mm (tolerance of +/-5mm)

*Dimensions are subject to change, customers are advised to measure actual product before commencing installation.



FAQs

FAQ	Answer
Valve Inlet/Outlet Dimensions	1/2 Inch BSP
Adjustment Range of Riser Rail (once fixed to wall)	Can be cut shorter
Hose Length	1.5m
Height of Shower Handset (in holder)	Adjustable