

# Technical Data Sheet

## Sign Shower Systems

# ROPER RHODES®

No.	Description	Code	Fixings Included
1	Sign Dual Function Shower System With Shower Head & Handset	SVSET84	YES



Inlet Pressure	Flow Rate (l/min)
0.5bar	15.91
1bar	22.50
2bar	31.82
3bar	35.00
4bar	45.00
5bar	49.86

Flow from valve may vary depending on accessories and domestic supply.

## Components - SVSET84

Diagrams not to scale. All dimensions in mm (tolerance of +/-5mm)

- Dual Function Thermostatic Shower Valve - SV1706
- 415mm Brass Fixed Arm - SVARM05
- 250mm Stainless Steel Shower Head - SVHEAD15
- Air-drive Single Function Shower Handset - SVHEAD28
- Brass Shower Hose - SVHOSE01
- Outlet Elbow With Shower Handset Holder - SVACCS08

## FAQs

**How long is the shower hose?** 1.5m

**What is the minimum pressure for the valve?** 0.3bar

**What is the valve connection size?** 1/2"

No.	Description	Code	Fixings Included
1	Sign Dual Function Shower System With Fixed Head & Riser Rail	SVSET85	YES



Inlet Pressure	Flow Rate (l/min)
0.5bar	15.91
1bar	22.50
2bar	31.82
3bar	35.00
4bar	45.00
5bar	49.86

Flow from valve may vary depending on accessories and domestic supply.

## Components - SVSET85

Diagrams not to scale. All dimensions in mm (tolerance of +/-5mm)

- Dual Function Thermostatic Shower Valve - SV1706
- 415mm Brass Fixed Arm - SVARM05
- 250mm Stainless Steel Shower Head - SVHEAD15
- Air-drive Single Function Shower Handset - SVHEAD28
- Brass Shower Hose - SVHOSE01
- Riser Rail - SVRAIL03
- Wall Elbow - SVACS06

## FAQs

**What is the rail fixing centres?** 660mm

**How long is the shower hose?** 1.5m

**What is the minimum pressure for the valve?** 0.3bar

**What is the valve connection size?** 1/2"

No.	Description	Code	Fixings Included
1	Sign Triple Function Shower System With Smartflow Bath Filler	SVSET106	YES



Inlet Pressure	Flow Rate (l/min)
1bar	23.60
2bar	33.37
3bar	37.00
4bar	47.20
5bar	52.30

Flow from valve may vary depending on accessories and domestic supply.

## Components - SVSET106

Diagrams not to scale. All dimensions in mm (tolerance of +/-5mm)

- Triple Function Thermostatic Shower Valve - SV1709
- 415mm Brass Fixed Arm - SVARM01
- 250mm Stainless Steel Shower Head - SVHEAD15
- Air-drive Single Function Shower Handset - SVHEAD28
- Brass Shower Hose - SVHOSE01
- Riser Rail - SVRAIL03
- Brass Wall Elbow - SVACS06
- Smartflow Bath Filler - SVACS07

## FAQs

**What is the rail fixing centres?** 660mm

**How long is the shower hose?** 1.5m

**What is the minimum pressure for the valve?** 1bar

**What is the valve connection size?** 1/2"

# Technical Data Sheet

## Thermostatic Concealed Valves

# ROPER RHODES®

No.	Description	Code	Fixings Included
1	Thermostatic Single Function Valve	SV1713	YES

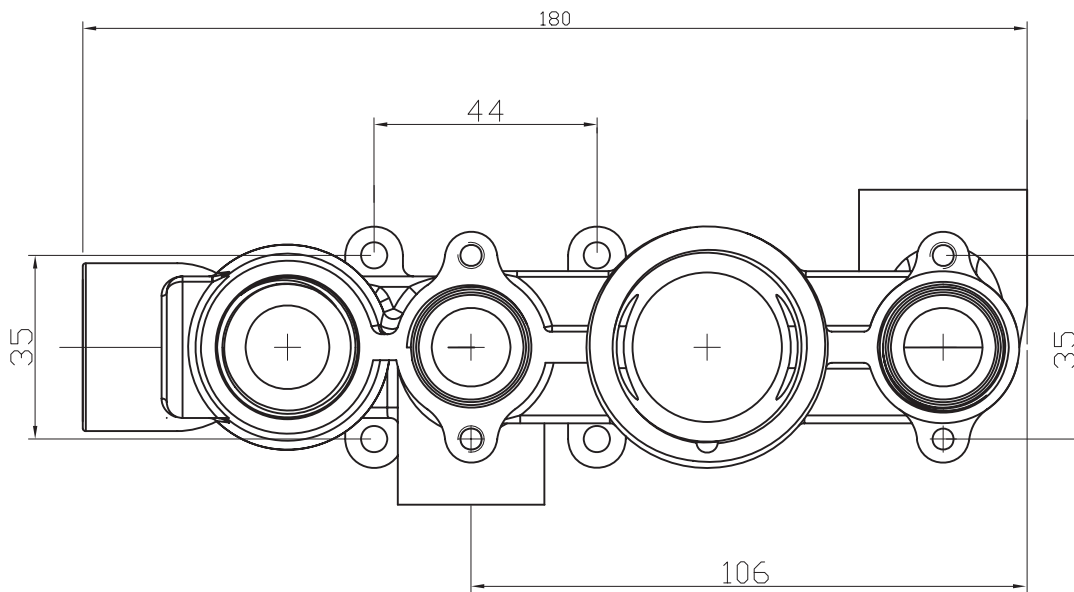


Flow from valve may vary depending on accessories and domestic supply.

Inlet Pressure	Flow Rate (l/min)
0.1bar	7.43
0.2bar	10.50
0.3bar	12.87
0.4bar	14.86
0.5bar	16.61
1bar	23.50
2bar	33.23

### Dimensions - SV1713

Diagrams not to scale. All dimensions in mm (tolerance of +/-5mm)



\*Dimensions are subject to change, customers are advised to measure actual product before commencing installation.

### FAQs

**What is included in the valve box?** The valve, a cover plate, a set of handles and trim rings.

**How many fixing holes does the valve have?** Four - two on the bottom and two on top of the valve.

**What is the size of the connections?** The valve uses 3/4" connections.

# Technical Data Sheet

## Thermostatic Concealed Valves

# ROPER RHODES®

No.	Description	Code	Fixings Included
1	Thermostatic Dual Function Valve	SV1706	YES

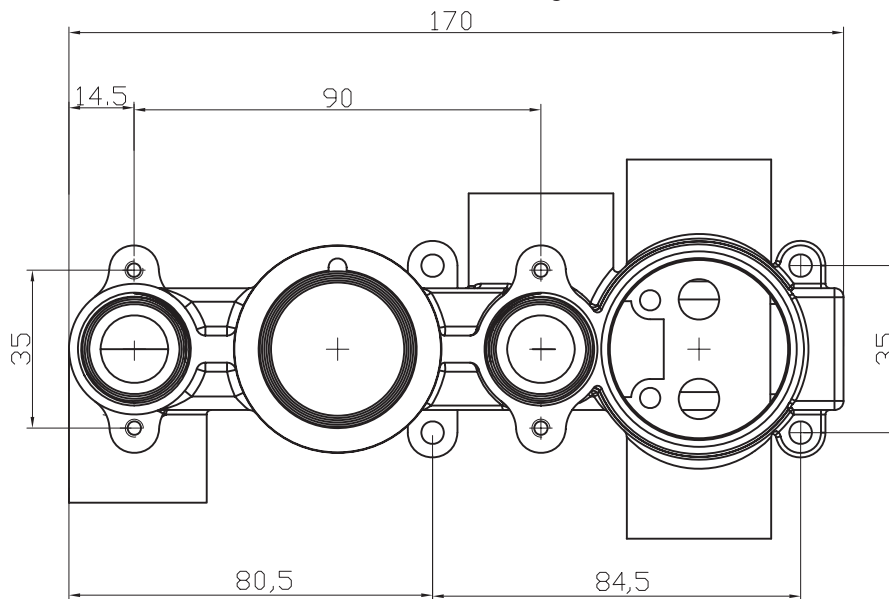


Inlet Pressure	Flow Rate (l/min)
0.3bar	12.32
0.4bar	14.23
0.5bar	15.91
1bar	22.50
2bar	31.82
3bar	35.00

Flow from valve may vary depending on accessories and domestic supply.

## Dimensions - SV1706

Diagrams not to scale. All dimensions in mm (tolerance of +/-5mm)



\*Dimensions are subject to change, customers are advised to measure actual product before commencing installation.

## FAQs

**What is included in the valve box?** The valve, a cover plate, a set of handles and trim rings.

**How many fixing holes does the valve have?** Four - two on the bottom and two on top of the valve.

**What is the size of the connections?** The valve uses 1/2" connections.

# Technical Data Sheet

## Thermostatic Concealed Valves

# ROPER RHODES®

No.	Description	Code	Fixings Included
1	Thermostatic Triple Function Valve	SV1709	YES

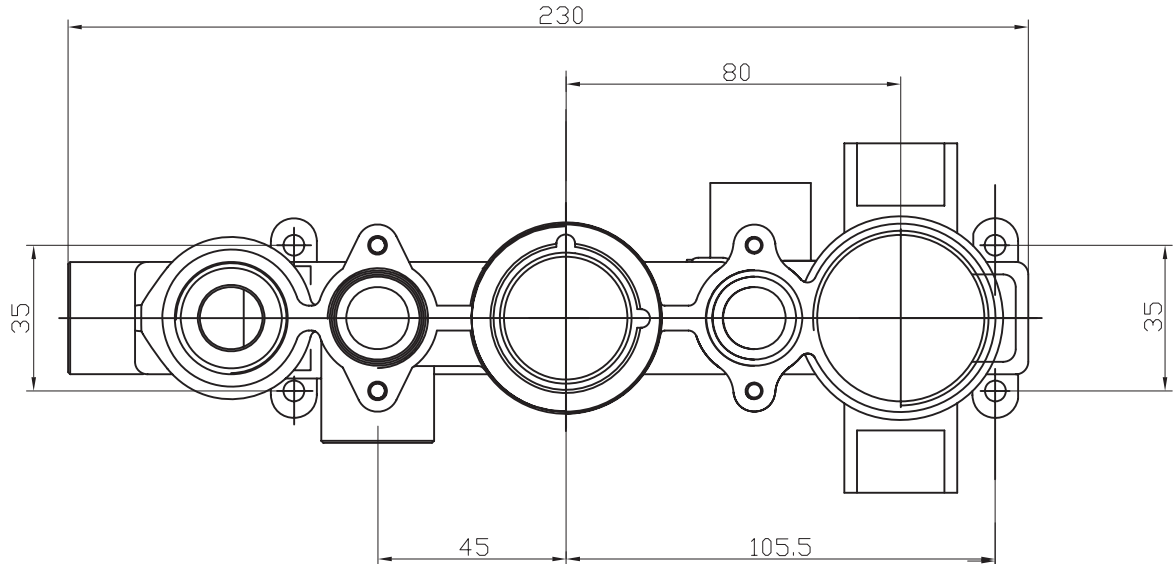


Inlet Pressure	Flow Rate (l/min)
1bar	23.60
2bar	33.37
3bar	37.00
4bar	47.20
5bar	52.30

Flow from valve may vary depending on accessories and domestic supply.

### Dimensions - SV1709

Diagrams not to scale. All dimensions in mm (tolerance of +/-5mm)



\*Dimensions are subject to change, customers are advised to measure actual product before commencing installation.

### FAQs

**What is included in the valve box?** The valve, a cover plate, a set of handles and trim rings.

**How many fixing holes does the valve have?** Four - two on the bottom and two on top of the valve.

**What is the size of the connections?** The valve uses 1/2" connections.

# Technical Data Sheet

## Thermostatic Concealed Valves

# ROPER RHODES®

No.	Description	Code	Fixings Included
1	Thermostatic Dual Function Valve With Outlet	SV1711	YES
2	Thermostatic Dual Function Valve With Handset Outlet	SV1712	YES

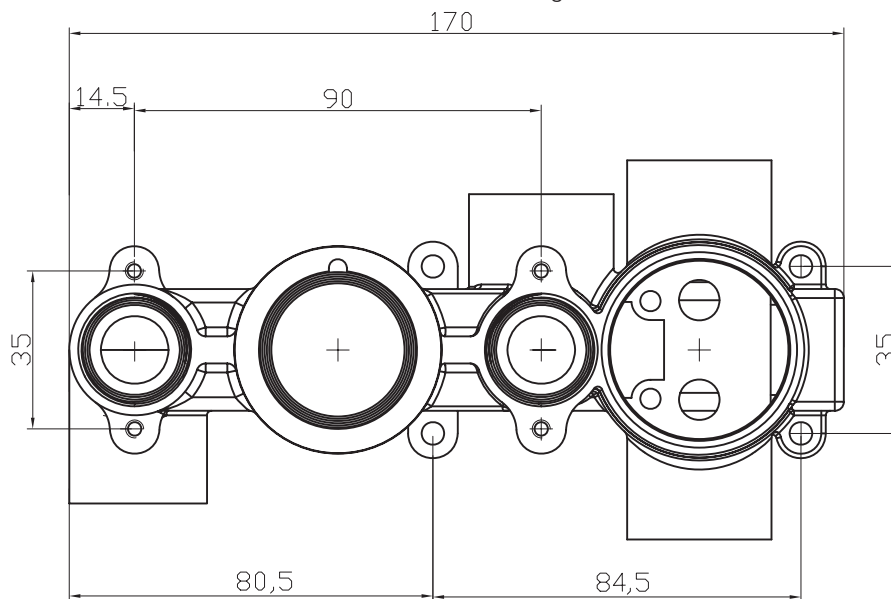


Inlet Pressure	Flow Rate (l/min)
0.3bar	12.32
0.4bar	14.23
0.5bar	15.91
1bar	22.50
2bar	31.82
3bar	35.00

Flow from valve may vary depending on accessories and domestic supply.

## Dimensions - SV2411 / SV2412

Diagrams not to scale. All dimensions in mm (tolerance of +/-5mm)



\*Dimensions are subject to change, customers are advised to measure actual product before commencing installation.

## FAQs

**What is included in the valve box?** The valve, a cover plate, a set of handles and trim rings.

**How many fixing holes does the valve have?** Four - two on the bottom and two on top of the valve.

**What is the size of the connections?** The valve uses 1/2" connections.