

| No. | Description | Code | Fixings Included |
|-----|------------------------------------|---------|------------------|
| 1 | Factor Dual Function Shower System | SVSET44 | YES |



| Inlet Pressure | Flow Rate (l/min) |
|----------------|-------------------|
| 1bar | 19.16 |
| 2bar | 27.46 |
| 3bar | 33.61 |
| 4bar | 38.88 |
| 5bar | 46.12 |

Flow from valve may vary depending on accessories and domestic supply.

Components - SVSET44

- Dual Function Thermostatic Shower Valve - SV1305
- 300mm Stainless Steel Ceiling Mounted Shower Head - SVHEAD33
- Rectangular Brass Riser Rail - SVRAIL06
- Air-drive Single Function Shower Handset - SVHEAD28
- Brass Shower Hose - SVHOSE01
- Square Wall Elbow - SVACS06

FAQs

How many fixing holes does the valve have? Four - two on the bottom and two on top of the valve.

How tall is the riser rail? 702mm

What is the wall elbow made out of? Chrome-plated brass

What is the minimum pressure for the valve? 1.0bar

How long is the shower hose? 1.5m

| No. | Description | Code | Fixings Included |
|-----|------------------------------------|---------|------------------|
| 1 | Factor Dual Function Shower System | SVSET40 | YES |

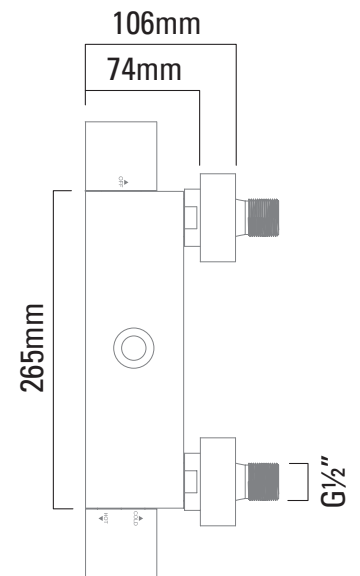
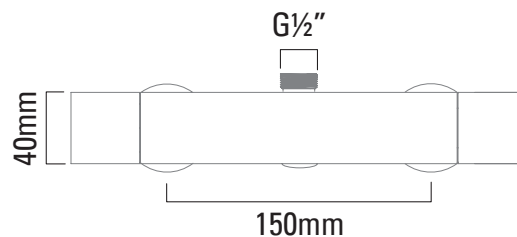


| Inlet Pressure | Flow Rate (l/min) |
|----------------|-------------------|
| 1bar | 23.40 |
| 2bar | 33.09 |
| 3bar | 34.80 |
| 4bar | 46.80 |
| 5bar | 51.85 |

Flow from valve may vary depending on accessories and domestic supply.

Components - SVSET40

- Surface Mounted Top Outlet Bar Valve (with Quick Fixing Kit) - SV1307
- Height Adjustable Rigid Riser Rail with Diverter - SVARM10
- 250mm Polished Stainless Steel Shower Head - SVHEAD15
- Air-drive Single Function Shower Handset - SVHEAD28
- Brass Shower Hose - SVHOSE01



FAQs

How tall is the riser rail? Adjustable from 640 - 1080mm

How long is the shower hose? 1.5m

What is the minimum pressure for the valve? 1.0bar

What is the distance between the valve front and the wall when mounted? 106mm

What is the total bar valve height? 40mm

What is the valve connection size? 1/2"

| No. | Description | Code | Fixings Included |
|-----|------------------------------------|--------|------------------|
| 1 | Thermostatic Single Function Valve | SV1304 | YES |

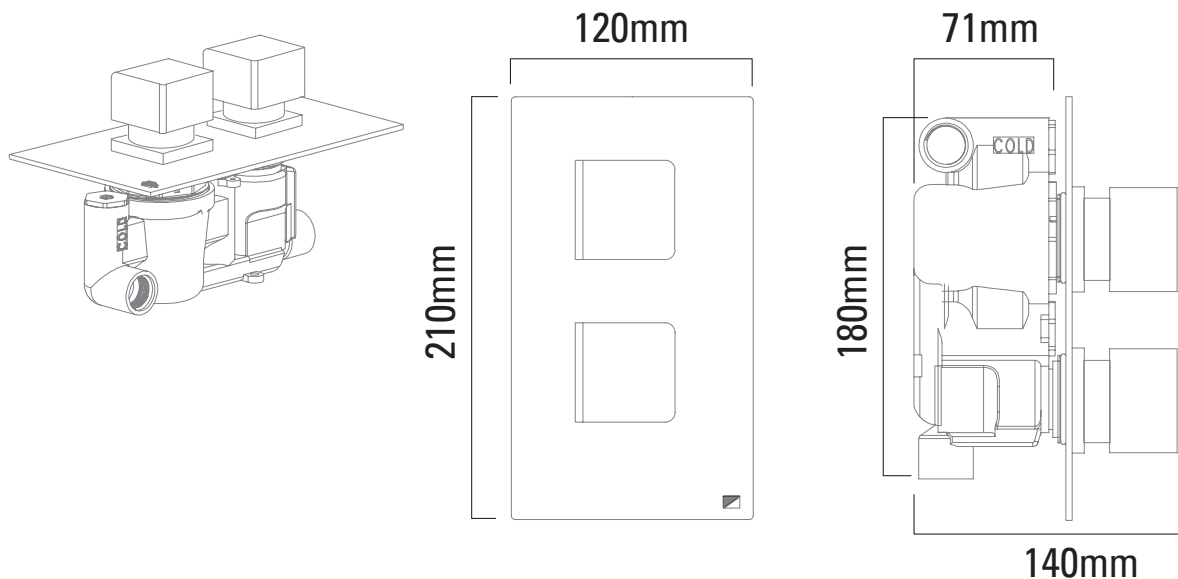


| Inlet Pressure | Flow Rate (l/min) |
|----------------|-------------------|
| 0.2bar | 10.32 |
| 0.5bar | 13.65 |
| 1bar | 19.65 |
| 2bar | 28.55 |
| 3bar | 34.07 |

Flow from valve may vary depending on accessories and domestic supply.

Dimensions - SV1304

Diagrams not to scale. All dimensions in mm (tolerance of +/-5mm)



*Dimensions are subject to change, customers are advised to measure actual product before commencing installation.

FAQs

How many fixing holes does the valve have? Two - one on the bottom and one on top of the valve.

What is included in the valve box? The valve, a cover plate, a set of handles and trim rings.

What is the size of the connections? The valve uses 1/2" connections.

| No. | Description | Code | Fixings Included |
|-----|----------------------------------|--------|------------------|
| 1 | Thermostatic Dual Function Valve | SV1305 | YES |

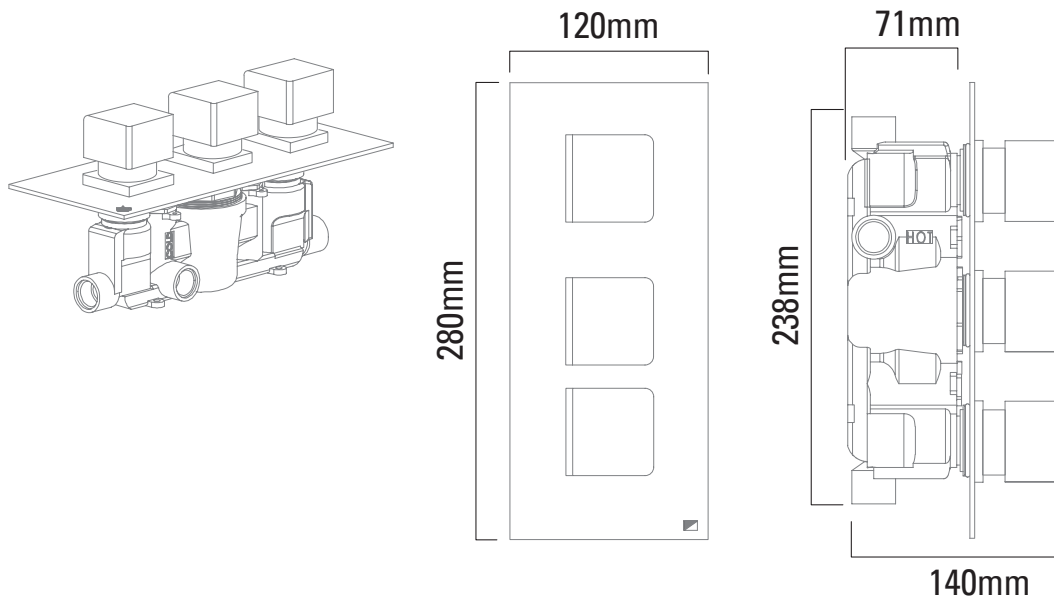


| Inlet Pressure | Flow Rate (l/min) |
|----------------|-------------------|
| 0.5bar | 12.75 |
| 1bar | 19.16 |
| 2bar | 27.46 |
| 3bar | 33.61 |
| 4bar | 38.88 |

Flow from valve may vary depending on accessories and domestic supply.

Dimensions - SV1305

Diagrams not to scale. All dimensions in mm (tolerance of +/-5mm)



*Dimensions are subject to change, customers are advised to measure actual product before commencing installation.

FAQs

How many fixing holes does the valve have? Four - two on the bottom and two on top of the valve.

What is included in the valve box? The valve, a cover plate, a set of handles and trim rings.

What is the size of the connections? The valve uses 1/2" connections.