

## RITUAL MIRRORS

**BOX CONTENTS:** RITUAL Mirror | Instructions booklet | Fixing Kit | Wiz Smart Button

### FAQ's

	Units	RLM050	RLM060	RLM60C	RLM80C	RLM100C
Can the mirror be hung landscape?	-	No	No	NA	NA	NA
What is the thickness of the mirror glass?	mm	5				
Where is the Light Switch located?	-	The mirror lights can be controlled by the Wiz App or by using the Smart Wiz Button supplied.				
Can the LED lighting be replaced?	-	No				
Where is the reset button to pair mirror located?	-	At the back of the mirror underneath the electrical components box.				
What size fuse should I use?	-	Seek the advice of an electrician				
How do I turn on the demister pad?	-	The demister pad is controlled via a fixed Touch sensor at the front of the mirror. The demister will automatically switch OFF after 30 minutes ON.				
Are illuminated cabinets/mirrors supplied with mains cable?	-	All illuminated cabinets/mirrors are supplied with a removeable 500mm mains cable. There is ample storage for excess cable in the back of the unit.				

For further FAQ's related to Wiz App go to: <https://www.roperrhodes.co.uk/smart-lighting>

### ELECTRICAL SPECIFICATION

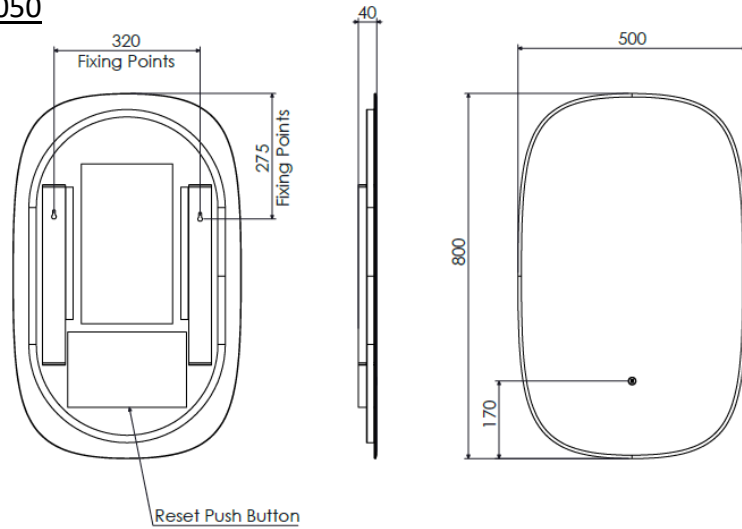
	Input Voltage	Lamp Type	Total Wattage (LED & Demist)	Demist (W)	Demist Size (mm)	LEDs (W)	LED (lm)	Energy Rating	CCT (K)	CRI	IP Rating	Electrical Class
RLM050	220-240V 50Hz	12V DC LED Lamp	33.68	14	200*350	19.68	2160	F	3000-6000	80	IP44	Class II
RLM060	220-240V 50Hz	12V DC LED Lamp	42.96	20	250*400	22.96	2520	F	3000-6000	80	IP44	Class II
RLM60C	220-240V 50Hz	12V DC LED Lamp	26.73	10	250*200	16.73	1836	F	3000-6000	80	IP44	Class II
RLM80C	220-240V 50Hz	12V DC LED Lamp	44.29	21	300*350	23.29	2556	F	3000-6000	80	IP44	Class II
RLM100C	220-240V 50Hz	12V DC LED Lamp	65.85	36	400*450	29.85	3276	F	3000-6000	80	IP44	Class II

Please note:

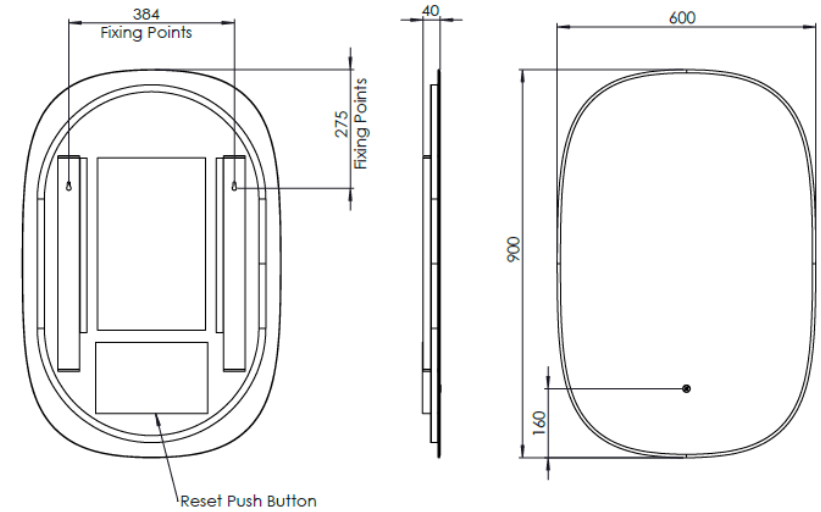
- Dimensions are subject to change. Customers are advised to measure actual product dimensions before commencing installation.
- Fixing point dimensions are for guidance only/the positions of wall fixing must be checked when product is received.
- The LED (lm) values represent the output of the LED. Actual product level Lumen output may vary depending on the diffuser material i.e., glass or acrylic.

## TECHNICAL DRAWINGS

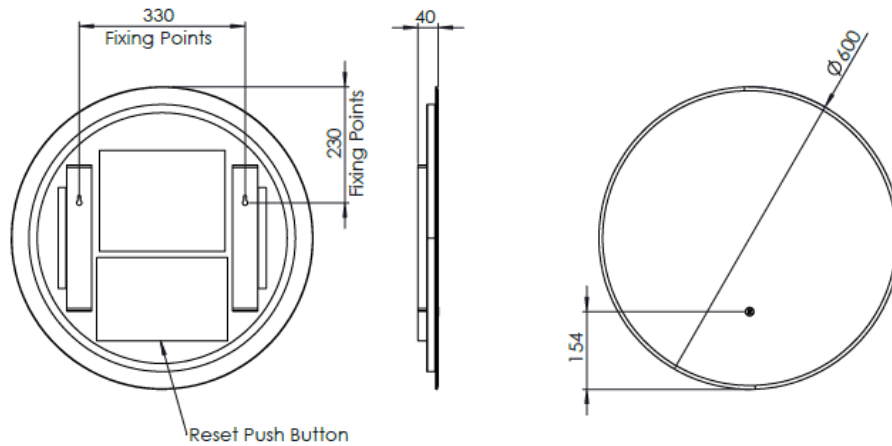
RLM050



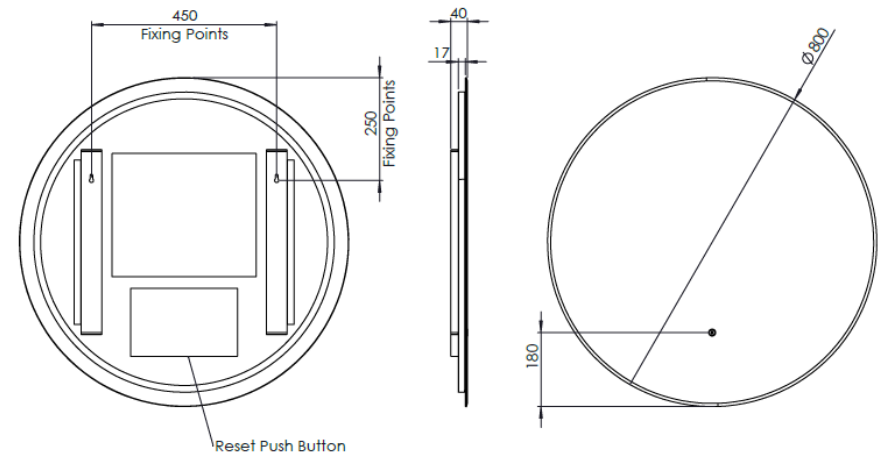
RLM060



RLM60C



RLM80C



# TECHNICAL DATA SHEET

ROPER RHODES®

## RLM100C

