

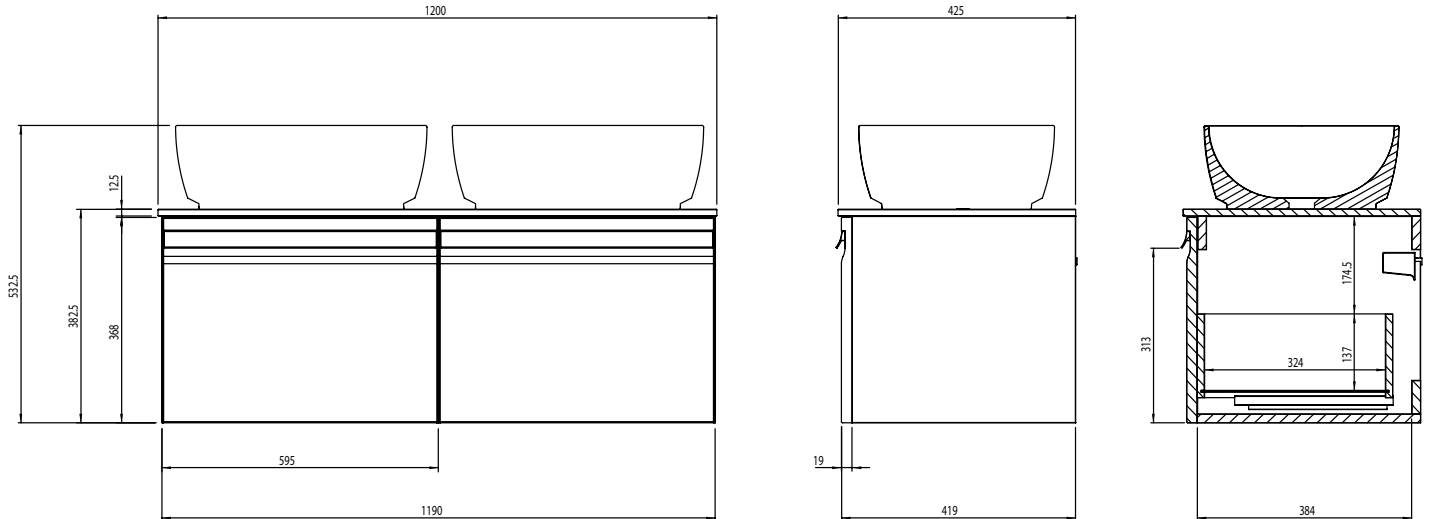
# Technical Data Sheet

# ROPER RHODES®

## Pursuit 1200mm Wall Mounted Unit

What's in the box: 1x PUR1200x + Fixings

\*Reference basin TDS for further info



Diagrams not to scale  
All dimensions in mm  
Tolerance of +/-5mm

### Materials

**Carcass:** 16mm Painted MDF & MFC

**Fascia Components:** 19mm Painted MDF or PVC backed MDF (Charcoal & Elm Finish)

\*\*Dimensions are subject to change, customers are advised to measure actual product before commencing installation.

\*\*\*Fixing point dimensions are for guidance only/the positions of wall fixing must be checked when product is received.

### Extra Dimensions

Internal Drawer Depth - Front to Back:	324mm
Internal Drawer Height:	137mm
Internal Drawer Width:	820mm
Hanger Centres:	24mm from side panel

### FAQs

Q: How big is the plumbing void?	A: 55mm
Q: How far apart are the hole centres for the handles?	A: 320mm (comes with pilot holes)
Q: Are the handles fitted?	A: Yes, handle comes pre-fitted and is removable.
Q: Are the runners soft close?	A: The runners are both soft close and quick release.
Q: How deep is the unit when the drawers are fully open?	A: Approx. 750mm including handle.
Q: Can the drawers be adjusted?	A: The drawers can be adjusted as detailed in the supplied instructions.
Q: What is the interior finish of the unit?	A: Dark Grey.
Q: Can the drawer runner release clips be replaced?	A: Yes. Replacement drawer clips come as a pair. Spare code - SP20604. See image for reference.



NOTE: Colours unique to Roper Rhodes - No RAL Code available