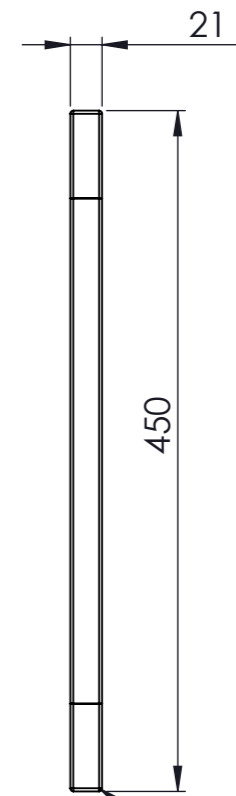
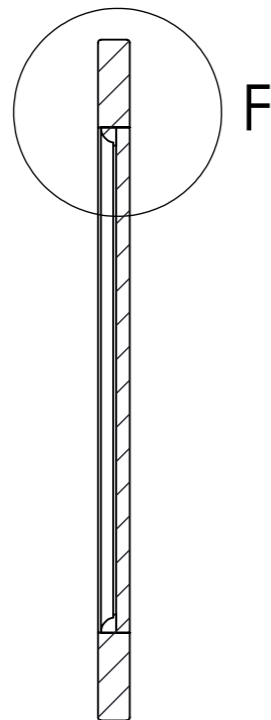


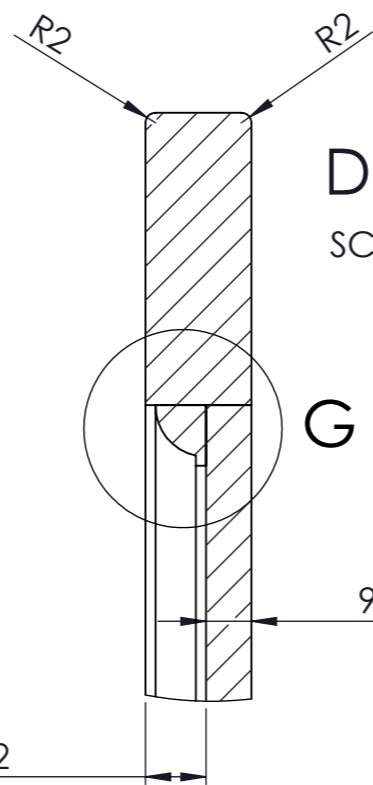
SANDED AND FILLED ON ALL JOINS FOR SMOOTH SEAMLESS FINISH



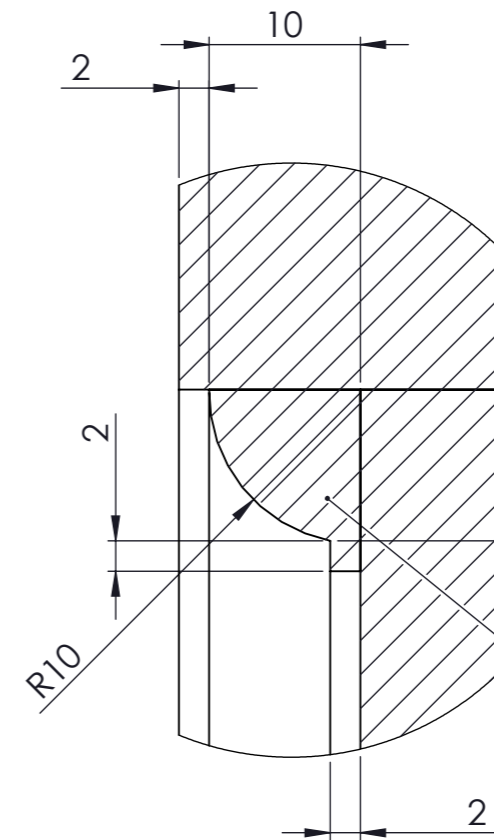
2mm RADIUS ON ALL EDGES



SECTION E-E



DETAIL F
SCALE 1 : 1.5



DETAIL G
SCALE 2 : 1

NOTE:
SAME BEADING PROFILE USED ON FLOOR MOUNTED FURNITURE

ROPER RHODES[®]

Design © Roper Rhodes Ltd

Copyright / design right owned by Roper Rhodes Ltd. In the event of this being infringed Roper Rhodes Ltd will take any necessary legal action to protect it.

Revision: 21 January 2021

Created: 20 January 2021

Sheet 1 of 2

Title: DRW_BP901 - HAMPTON 700 END BATH PANEL - END PANEL

Material: VARIOUS

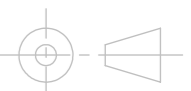
Finish: PAINTED - HAMPTON FINISHES

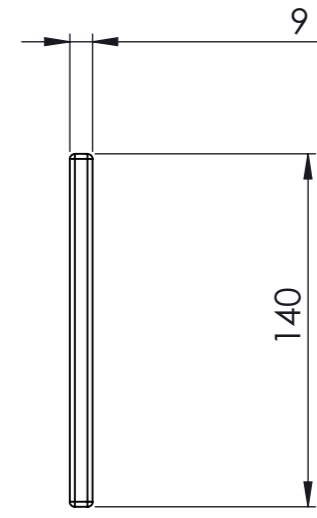
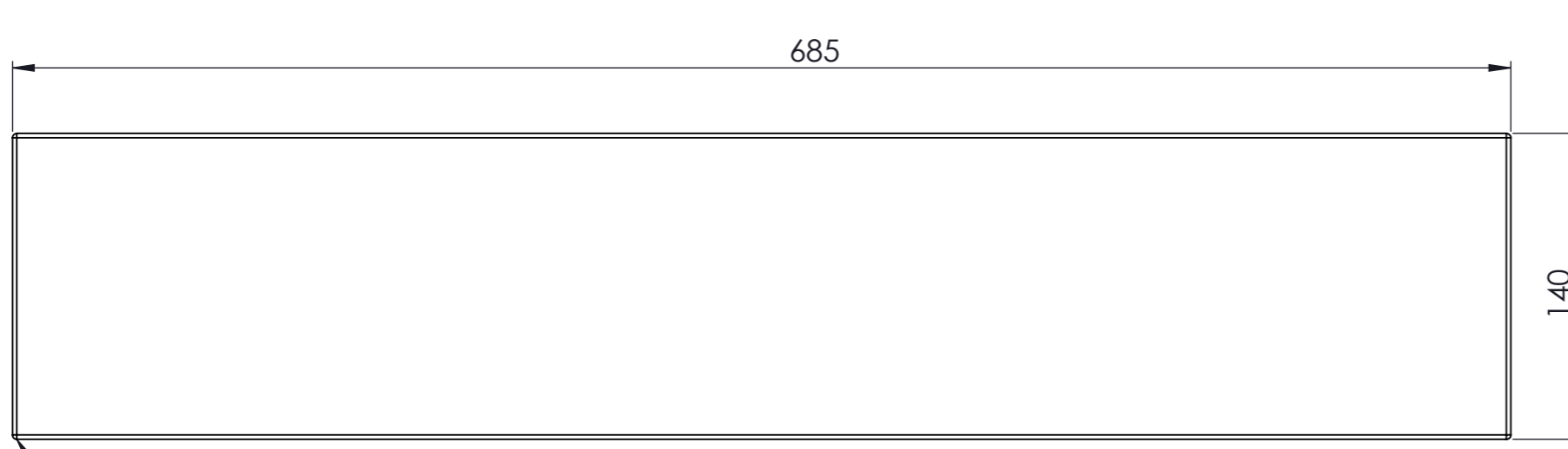
Dimensions: mm

Drawn by: Greg Williams

Scale: 1:5

A3





2MM RADIUS ON ALL EDGES
FOR PAINT ADHERSION

ROPER RHODES[®]

Design © Roper Rhodes Ltd
 Copyright / design right owned by Roper Rhodes Ltd. In the event of this being infringed Roper Rhodes Ltd will take any necessary legal action to protect it.

Revision: 21 January 2021

Created: 20 January 2021

Sheet 2 of 2

Title: DRW_BP901 - HAMPTON 700 END BATH PANEL - END PANEL PLINTH

Material: VARIOUS

Finish: PAINTED - HAMPTON FINISHES

Dimensions: mm

Drawn by: Greg Williams

Scale: 1:3

A3

