

# Technical Data Sheet

# ROPER RHODES®

Node Basin Mixer With Click Waste - T341102

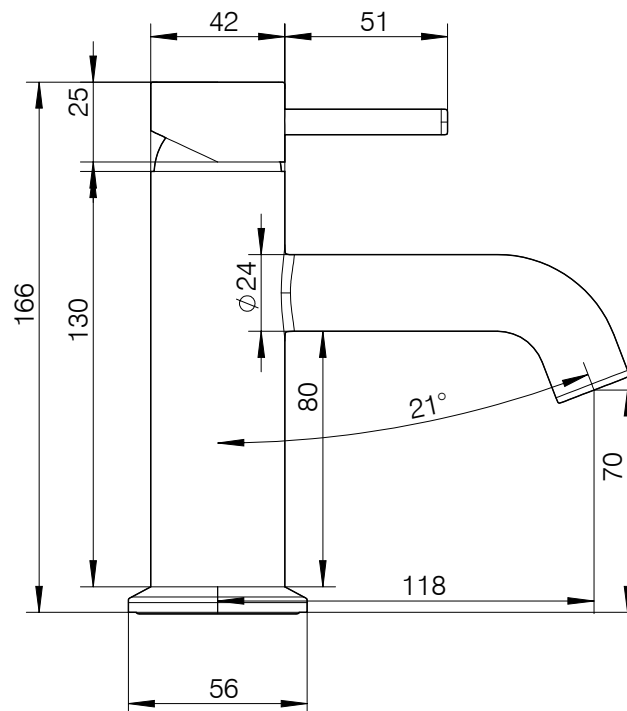
No.	Description	Code	Fixings Included
1	Node Basin Mixer With Click Waste	T341102	YES



Min Pressure:	0.2bar
0.2bar	5.3 litres / min
0.3bar	6.2 litres / min
0.4bar	7.5 litres / min
0.5bar	8.2 litres / min
1bar	11.5 litres / min
2bar	16.5 litres / min

## Dimensions:

Diagrams not to scale. All dimensions in mm (tolerance of +/-5mm)



\*Dimensions are subject to change, customers are advised to measure actual product before commencing installation.

## FAQs

**What is the size of the tap tail connection?** The tap tails have a standard 1/2" BSP fixing.

**What bore is the tap tail?** The tails have a 10mm internal bore.

**What length are the tap tails?** The tails are 300mm in length.

**Does the tap come fitted with an aerator?** Yes, the aerator comes pre-installed but can be replaced.