

Technical Data Sheet

Note 450 Basin - N45SB

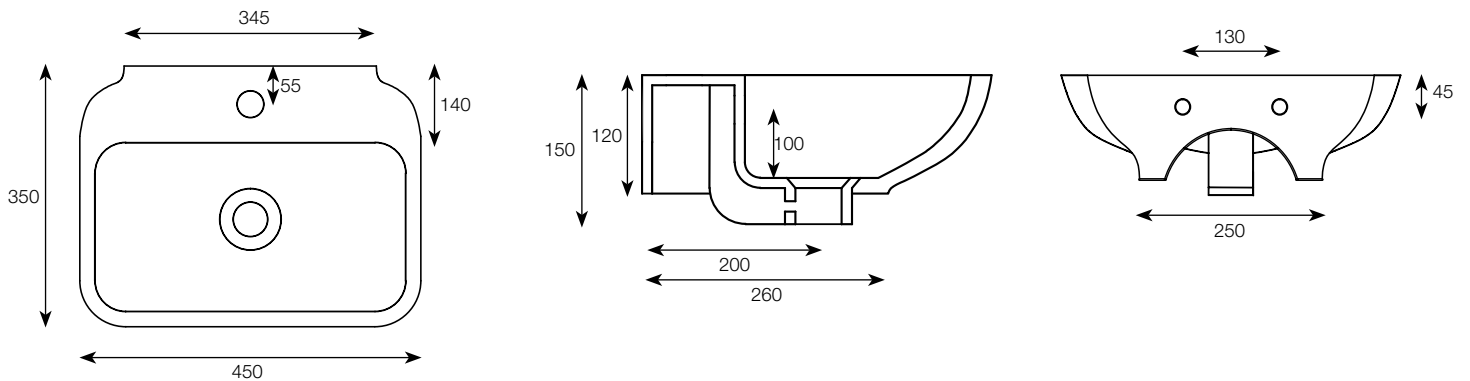
ROPER RHODES®

No.	Description	Code	Fixings Included
1	Note 450mm Basin 1TH with Overflow	N45SB	Yes



Dimensions - N45SB

Diagrams not to scale. All dimensions in mm (tolerance of +/-5mm)



*Dimensions are subject to change, customers are advised to measure actual product before commencing installation.
**Fixing point dimensions are for guidance only/the positions of wall fixing must be checked when product is received.

FAQs

Q: Does the basin have an overflow?
A: Yes, Integrated.

Q. What is the depth of the bowl?
A. 100mm

Technical Data Sheet

Note 550 Basin - N55SB

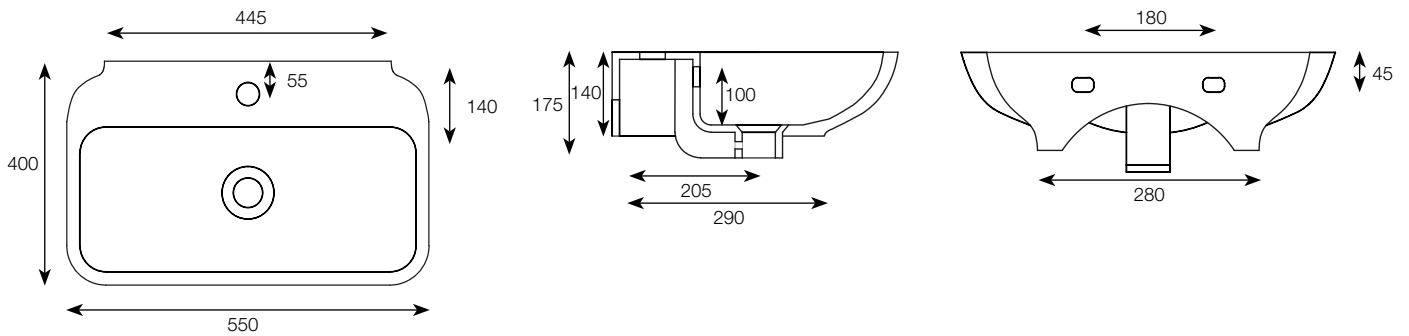
ROPER RHODES®

No.	Description	Code	Fixings Included
1	Note 550mm Basin 1TH with Overflow	N55SB	Yes



Dimensions - N55SB

Diagrams not to scale. All dimensions in mm (tolerance of +/-5mm)



*Dimensions are subject to change, customers are advised to measure actual product before commencing installation.
**Fixing point dimensions are for guidance only/the positions of wall fixing must be checked when product is received.

FAQs

Q: Does the basin have an overflow?
A: Yes, Integrated.

Q. What is the depth of the bowl?
A. 100mm

Technical Data Sheet

Note 650 Basin - N65SB

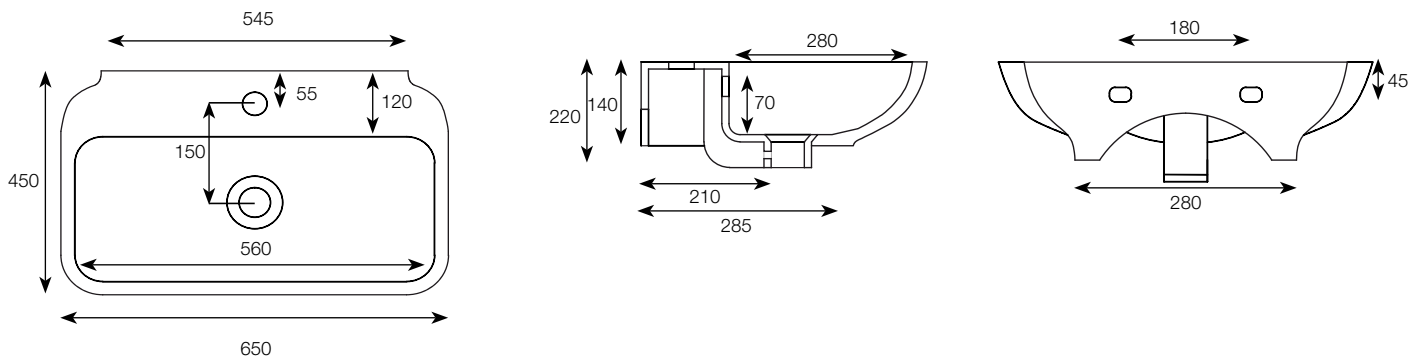
ROPER RHODES®

No.	Description	Code	Fixings Included
1	Note 650mm Basin 1TH with Overflow	N65SB	Yes



Dimensions - N65SB

Diagrams not to scale. All dimensions in mm (tolerance of +/-5mm)



*Dimensions are subject to change, customers are advised to measure actual product before commencing installation.

**Fixing point dimensions are for guidance only/the positions of wall fixing must be checked when product is received.

FAQs

Q: Does the basin have an overflow?

A: Yes, Integrated.

Q. What is the depth of the bowl?

A. 100mm

Technical Data Sheet

Note 750 Basin - N75SB

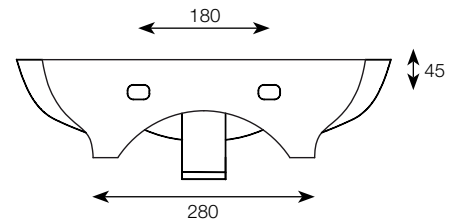
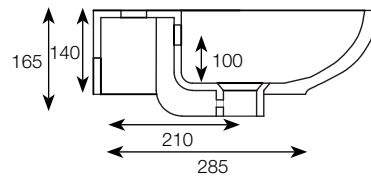
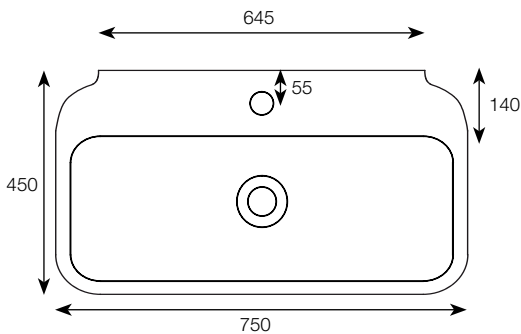
ROPER RHODES®

No.	Description	Code	Fixings Included
1	Note 750mm Basin 1TH with Overflow	N75SB	Yes



Dimensions - N75SB

Diagrams not to scale. All dimensions in mm (tolerance of +/-5mm)



*Dimensions are subject to change, customers are advised to measure actual product before commencing installation.
**Fixing point dimensions are for guidance only/the positions of wall fixing must be checked when product is received.

FAQs

Q: Does the basin have an overflow?
A: Yes, Integrated.

Q. What is the depth of the bowl?
A. 100mm

Technical Data Sheet

Note 750 SCT Basin - N3SCBAS

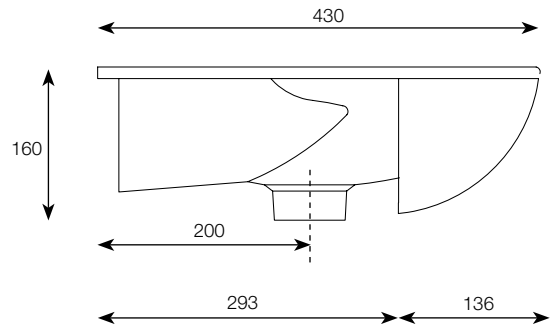
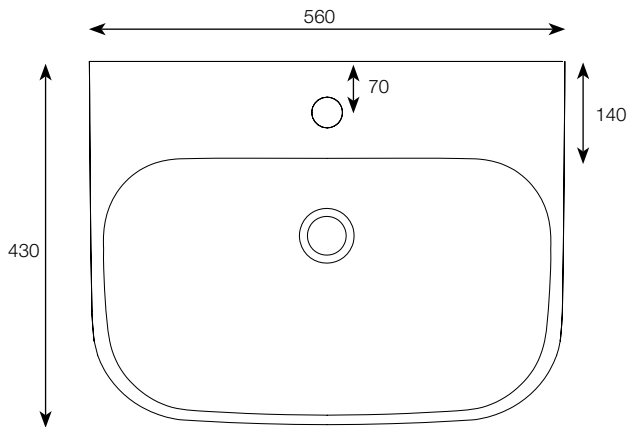
ROPER RHODES®

No.	Description	Code	Fixings Included
1	Note 750mm SCT Basin 1TH with Overflow	N3SCBAS	No



Dimensions - N3SCBAS

Diagrams not to scale. All dimensions in mm (tolerance of +/-5mm)



*Dimensions are subject to change, customers are advised to measure actual product before commencing installation.
 **Fixing point dimensions are for guidance only/the positions of wall fixing must be checked when product is received.

FAQs

Q: Does the basin have an overflow?
 A: Yes, Integrated.

Q. What is the depth of the bowl?
 A. 100mm

Technical Data Sheet

Note Slim Depth SCT Basin - N2SCBAS

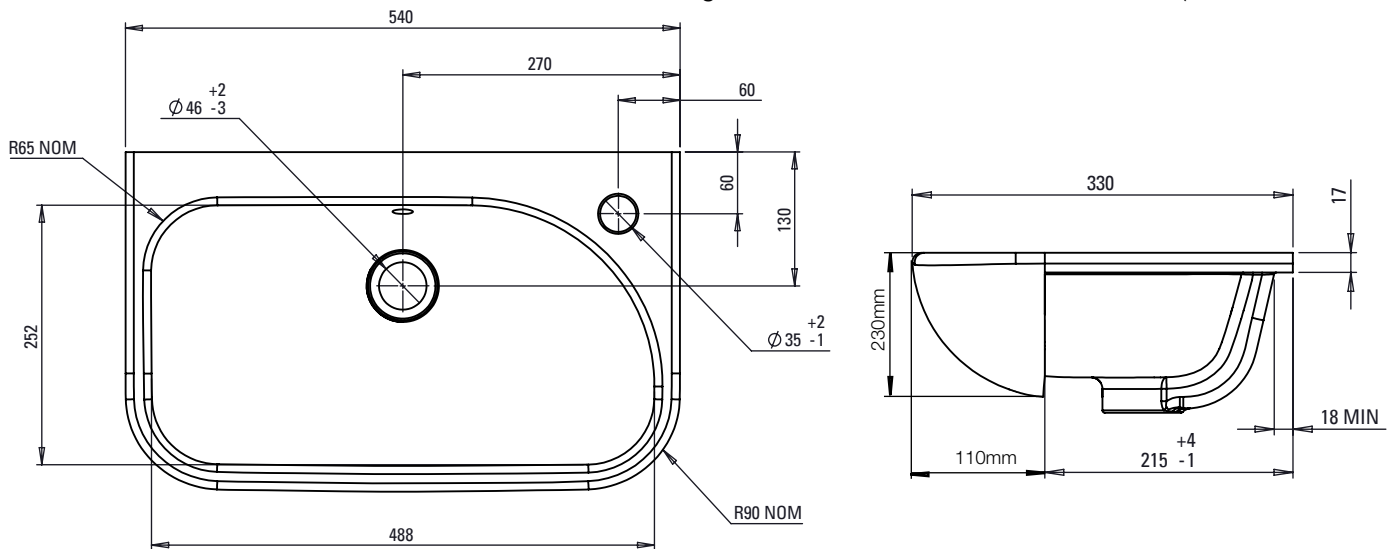
ROPER RHODES®

No.	Description	Code	Fixings Included
1	Note 540mm Slim Depth SCT Basin 1TH	N2SCBAS	No



Dimensions - N2SCBAS

Diagrams not to scale. All dimensions in mm (tolerance of +/-5mm)



*Dimensions are subject to change, customers are advised to measure actual product before commencing installation.
 **Fixing point dimensions are for guidance only/the positions of wall fixing must be checked when product is received.

FAQs

Q: Does the basin have an overflow?
 A: Yes, Integrated.

Q. What is the depth of the bowl to overflow?
 A. 50mm

Q. What is the tapledge distance?
 A. 50mm

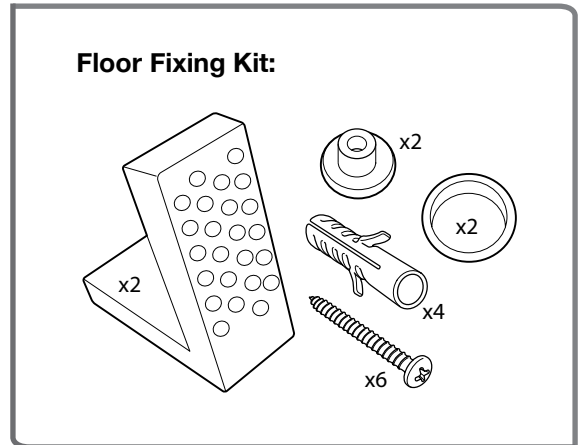
Q. What is the diameter of the overflow?
 A. 22mm

Technical Data Sheet

Note 500mm BTW Pan - NBWPAN

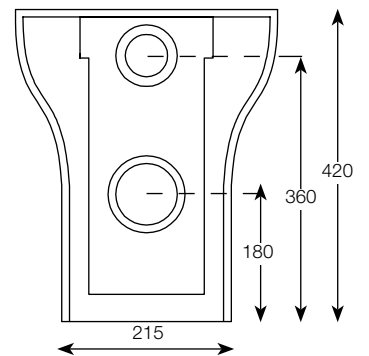
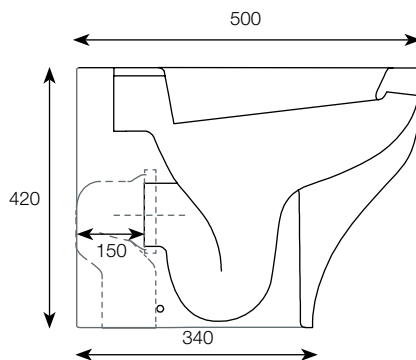
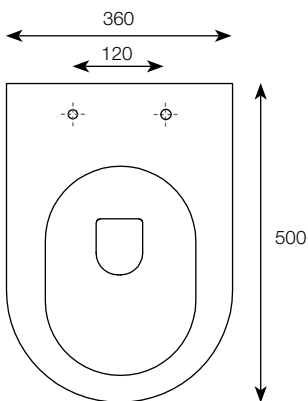
ROPER RHODES®

No.	Description	Code	Fixings Included
1	Define Soft Close Quick Release Seat	8704WSC	Yes
2	Note 500mm Back To Wall Pan	NBWPAN	Yes



Dimensions - NBWPAN

Diagrams not to scale. All dimensions in mm (tolerance of +/-5mm)



*Dimensions are subject to change, customers are advised to measure actual product before commencing installation.
 **Fixing point dimensions are for guidance only/the positions of wall fixing must be checked when product is received.

FAQs

Q: Are there any other compatible seats?
 A: Yes, Distinct and Diode

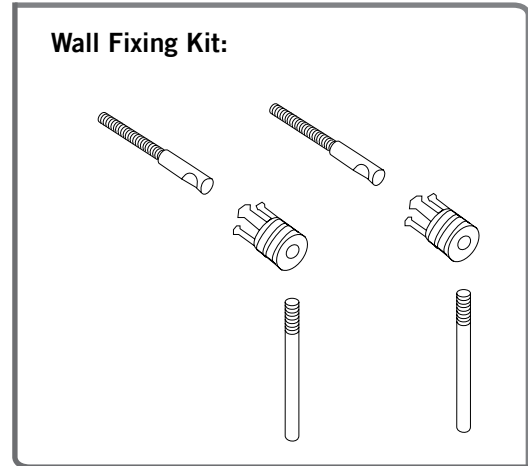
Q. Which concealed cistern do I use?
 A. Torrent (TR9001) or Cascade (TR9002), depending on whether the water feed is bottom or side access.

Technical Data Sheet

Note 500mm Wall Hung Pan - NWHPAN

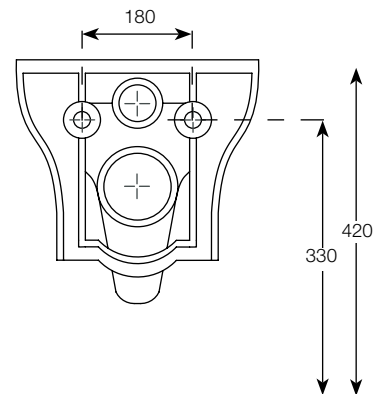
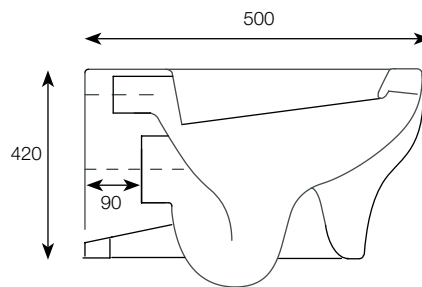
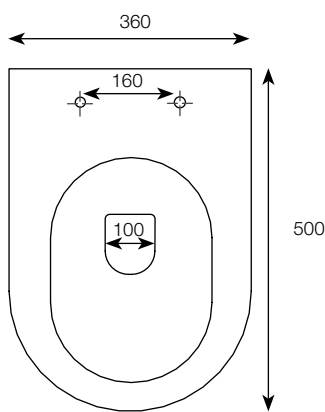
ROPER RHODES®

No.	Description	Code	Fixings Included
1	Define Soft Close Quick Release Seat	8704WSC	Yes
2	Note 500mm Wall Hung Pan	NWHPAN	Yes



Dimensions - NWHPAN

Diagrams not to scale. All dimensions in mm (tolerance of +/-5mm)



*Dimensions are subject to change, customers are advised to measure actual product before commencing installation.
 **Fixing point dimensions are for guidance only/the positions of wall fixing must be checked when product is received.

FAQs

Q. Do I need to use a Wall Hung Frame?
 A. Yes

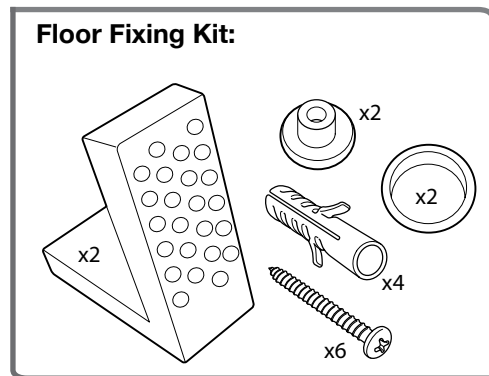
Q. Are concealed fixings to connect the pan to a frame included?
 A. Yes

Technical Data Sheet

Note Close Coupled WC Pan - NCCPAN

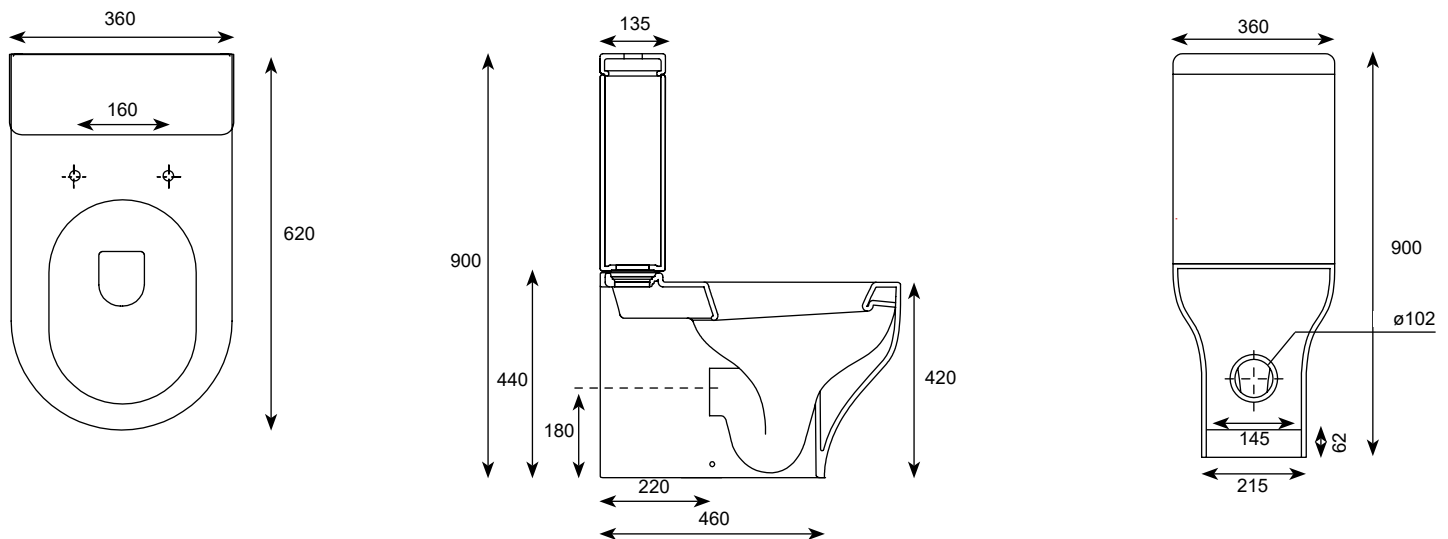
ROPER RHODES®

No.	Description	Code	Fixings Included
1	Note Close Coupled WC Pan - 620mm	NCCPAN	Yes
2	Define Soft Close Quick Release Toilet Seat	8704WSC	Yes
3	Note Close Coupled Cistern	NCCTNK	Yes



Dimensions - NCCPAN

Diagrams not to scale. All dimensions in mm (tolerance of +/-5mm)



*Dimensions are subject to change, customers are advised to measure actual product before commencing installation.
 **Fixing point dimensions are for guidance only/the positions of wall fixing must be checked when product is received.

FAQs

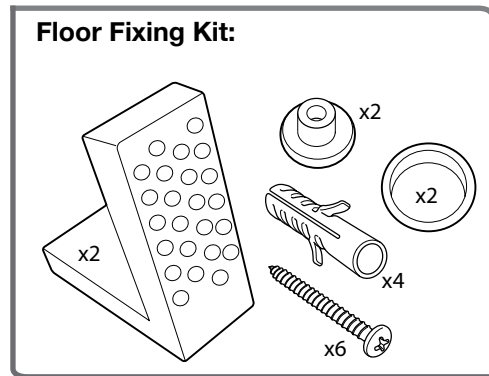
- Q. Where is the inlet valve?**
 A. Bottom inlet, back right of the pan
- Q. What is the flush volume?**
 A. 4.5/3L
- Q. Can this pan be used with a side connection outlet pipe?**
 A. No. Use NCCPAN2 open back WC instead.
- Q. What Cistern fittings are included?**
 A. Geberit

Technical Data Sheet

Note CC Open Back Pan - NCCPAN2

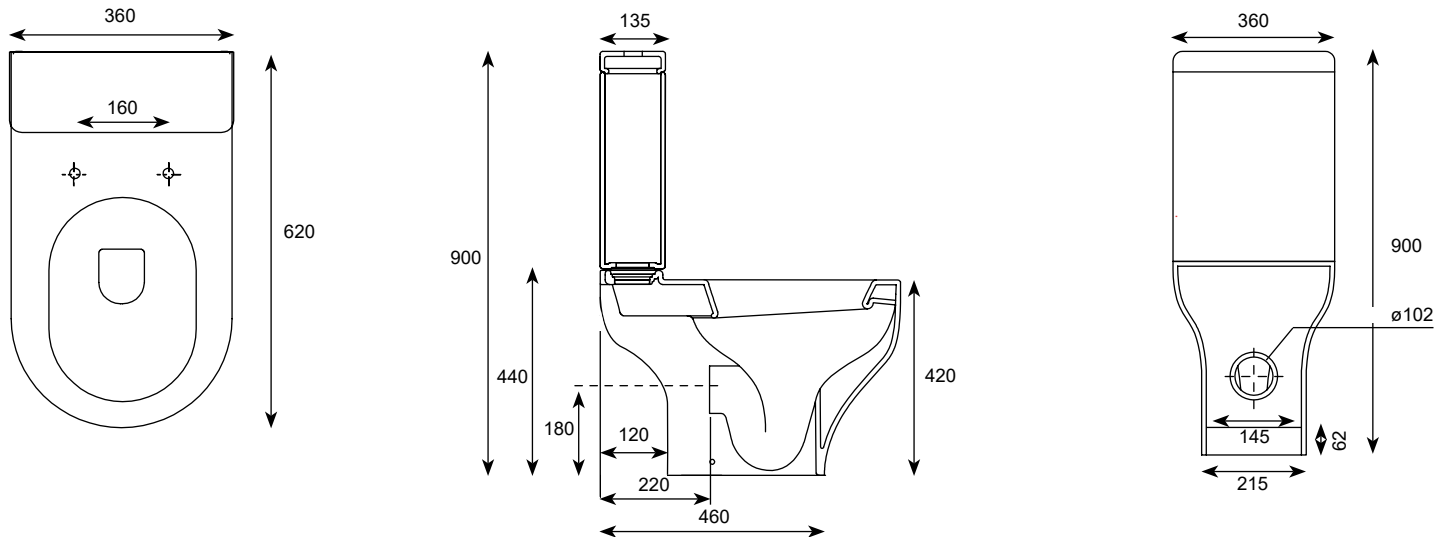
ROPER RHODES®

No.	Description	Code	Fixings Included
1	Note Close Coupled Open Back Pan - 620mm	NCCPAN2	Yes
2	Define Soft Close Quick Release Toilet Seat	8704WSC	Yes
3	Note Close Coupled Cistern	NCCTNK2	Yes



Dimensions - NCCPAN2

Diagrams not to scale. All dimensions in mm (tolerance of +/-5mm)



*Dimensions are subject to change, customers are advised to measure actual product before commencing installation.
 **Fixing point dimensions are for guidance only/the positions of wall fixing must be checked when product is received.

FAQs

Q. Where is the inlet valve?
 A. Bottom inlet, back right of the pan

Q: Can this pan be used with a side connection outlet pipe?
 A: Yes.

Q. What is the flush volume?
 A. 4.5/3L

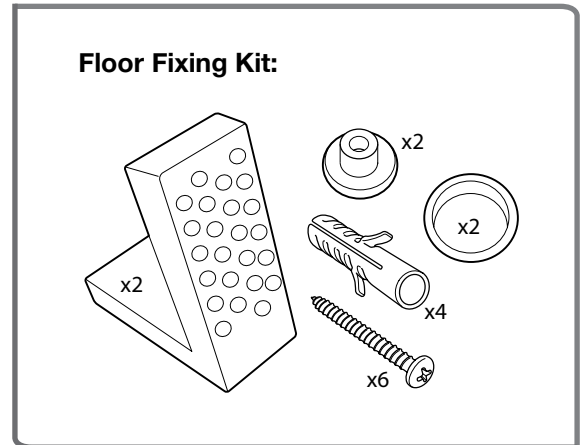
Q. What Cistern fittings are included?
 A. Geberit

Technical Data Sheet

Note Semi Pedestal - NSMP

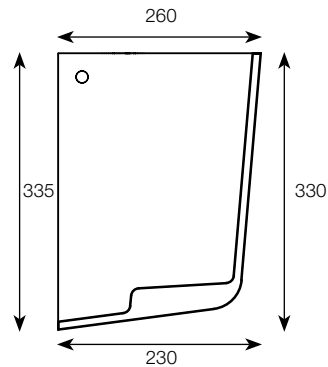
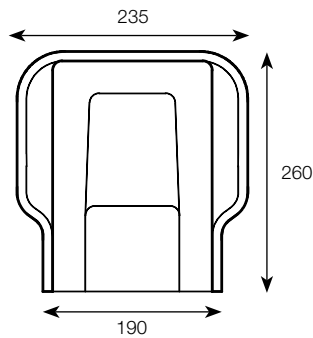
ROPER RHODES®

No.	Description	Code	Fixings Included
1	Note Semi Pedestal	NSMP	Yes



Dimensions - N3SCBAS

Diagrams not to scale. All dimensions in mm (tolerance of +/-5mm)



*Dimensions are subject to change, customers are advised to measure actual product before commencing installation.
 **Fixing point dimensions are for guidance only/the positions of wall fixing must be checked when product is received.

FAQs

Q. What basins is the compatible with?

A. Note 450mm, 550mm, 650mm, 750mm Basins (Not Note Semi Recess basins).

Q. How is the semi pedestal fixed to the wall?

A. With the L brackets supplied (same as the ones used for floor mounted WC pans)

Technical Data Sheet

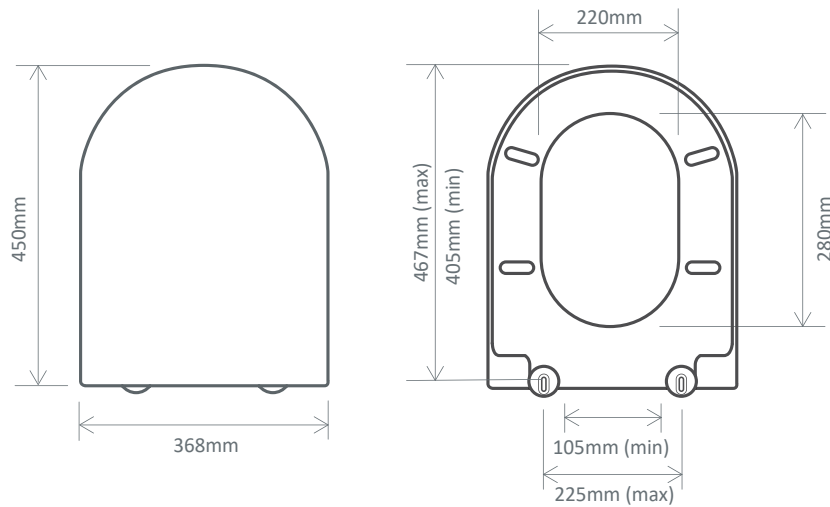
Note Slim Toilet Seat - NSLSCTS

ROPER RHODES®

No.	Description	Code	Fixings Included
1	Slim Toilet Seat	NSLSCTS	Yes



Dimensions - NSLSCTS



*Dimensions are subject to change, customers are advised to measure actual product before commencing installation.
 **Fixing point dimensions are for guidance only/the positions of wall fixing must be checked when product is received.

FAQs