

TECHNICAL DATA SHEET

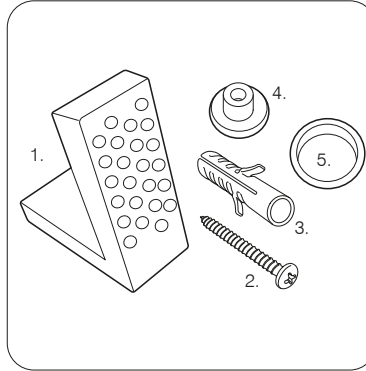
Minerva Comfort Back To Wall WC Pan - MBWCHP

ROPER RHODES®

NO.	Description	Product Code	Fixings included	Gross Weight
1	Soft Close Toilet Seat	MSCTS	YES	3KG
2	Comfort Height Back to Wall WC	MBWCHP	YES	23.7KG



Floor Fixings

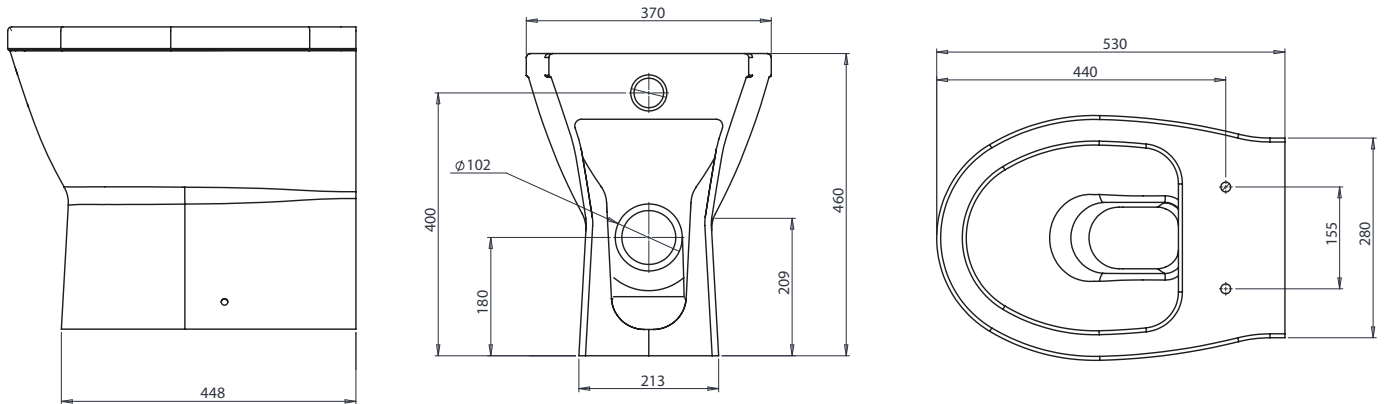


- 1. 2x Nylon Floor Bracket
- 2. 4x Stainless Steel Screws
- 3. 2x Nylon Screw Plugs
- 4. 2x Nylon Screw Collars
- 5. 2x Nylon Collar Caps (Metalic Finish)

Spare Code: SP14211

DIMENSIONS

DIAGRAMS NOT TO SCALE | ALL DIMENSIONS IN MM TOLERANCE OF ± 5MM
ALL PRODUCTS CONFORM TO BRITISH STANDARDS



*Dimensions are subject to change, customers are advised to measure actual product before commencing installation.
**Fixing point dimensions are for guidance only. The positions of fixings must be checked when product is received.

FAQs

Q - Are there any other compatible seats?
A - Juno, Neutron, Traditional

Q - Which concealed cistern do I use?
A - Torrent (TR9001) or Cascade (TR9002), depending on whether the water feed is bottom or side access. An In-Wall cistern (TR9009) is available for tiled-in installations.

Key Dimensions Descriptions	Key Dimensions (mm)
Front to Back Footprint	448mm
Left to Right Footprint	213mm
Bowl Front to Back	316mm
Bowl Left to Right	250mm
Pan Height	460mm
Pan Overall front to Back	530mm
Centre Flush Inlet to Floor	400mm
Centre Waste Outlet to Floor	180mm
Width of Void	180mm
Is there a Ceramic Brace Bar	No