

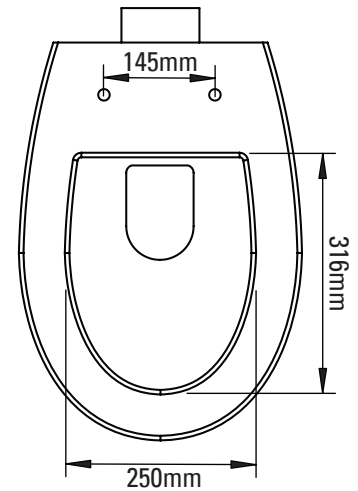
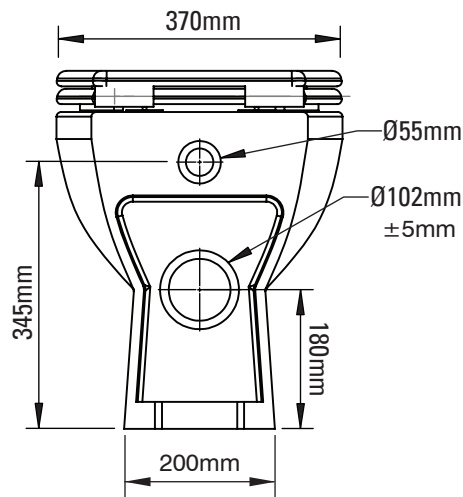
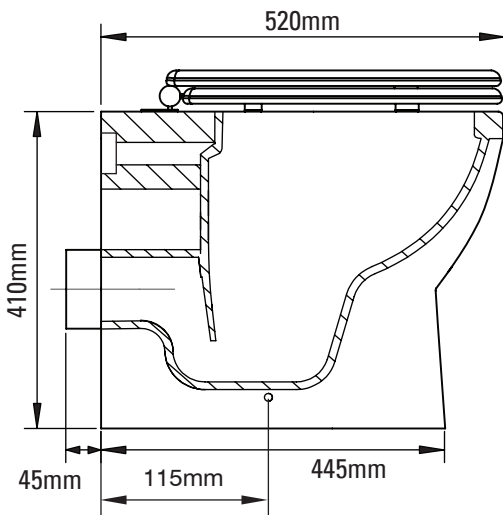
**MINERVA BACK TO WALL PAN - MBWPAN**



NO.	DESCRIPTION	PRODUCT CODE	FIXINGS INCLUDED?	GROSS WEIGHT	NET WEIGHT
1	MINERVA SEAT	MSCTS	Yes	3.05kg	3.05kg
2	MINERVA BACK TO WALL PAN	MBWPAN	Yes	25kg	25kg

**DIMENSIONS**

DIAGRAMS NOT TO SCALE  
ALL DIMENSIONS IN MM  
TOLERANCE OF ± 5MM



**FAQ**

**Are there any other compatible seats?** Yes Juno (RR 8703WSC) and Neutron (RR 8901WSC).

**Are there any wood compatible seats?** Yes Greenwich (RR) and Traditional (RR).

**What concealed cistern do i use?** Torrent (TR9001).

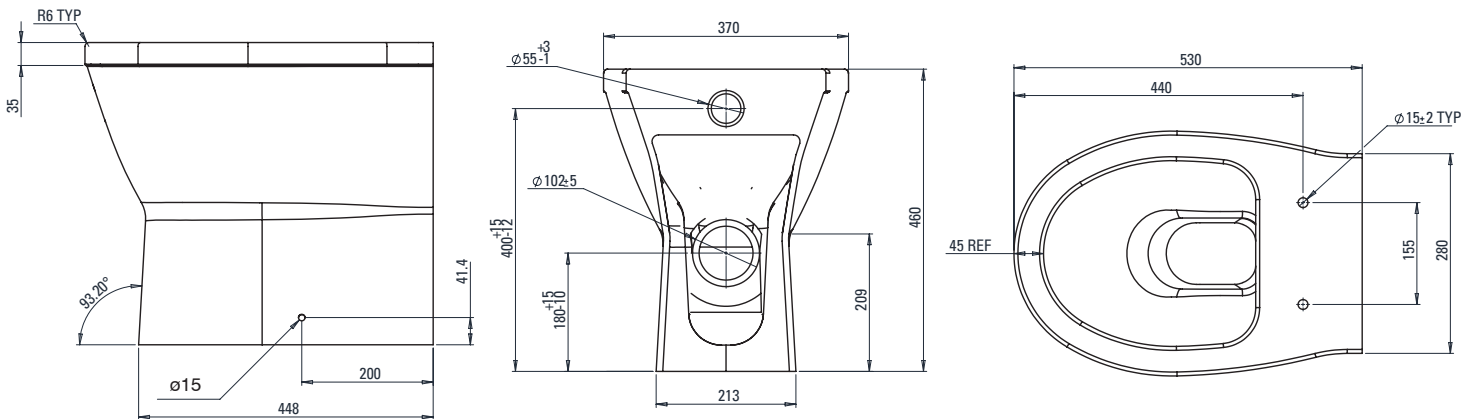
**MINERVA COMFORT HEIGHT BACK TO WALL PAN - MBWCHP**



NO.	DESCRIPTION	PRODUCT CODE	FIXINGS INCLUDED?	GROSS WEIGHT	NET WEIGHT
1	MINERVA SEAT	MSCTS	Yes	3.05kg	3.05kg
2	MINERVA COMFOT HEIGHT BACK TO WALL PAN	MBWCHP	Yes	23.75kg	23.75kg

**DIMENSIONS**

DIAGRAMS NOT TO SCALE  
ALL DIMENSIONS IN MM  
TOLERANCE OF ± 5MM



**FAQ**

**Are there any other compatible seats?** Yes Juno (RR 8703WSC) and Neutron (RR 8901WSC).

**Are there any wood compatible seats?** Yes Greenwich (RR) and Traditional (RR).

**What concealed cistern do i use?** Comfort height cistern (TR9008).

**MINERVA CLOSE COUPLED PAN - MCCPAN**

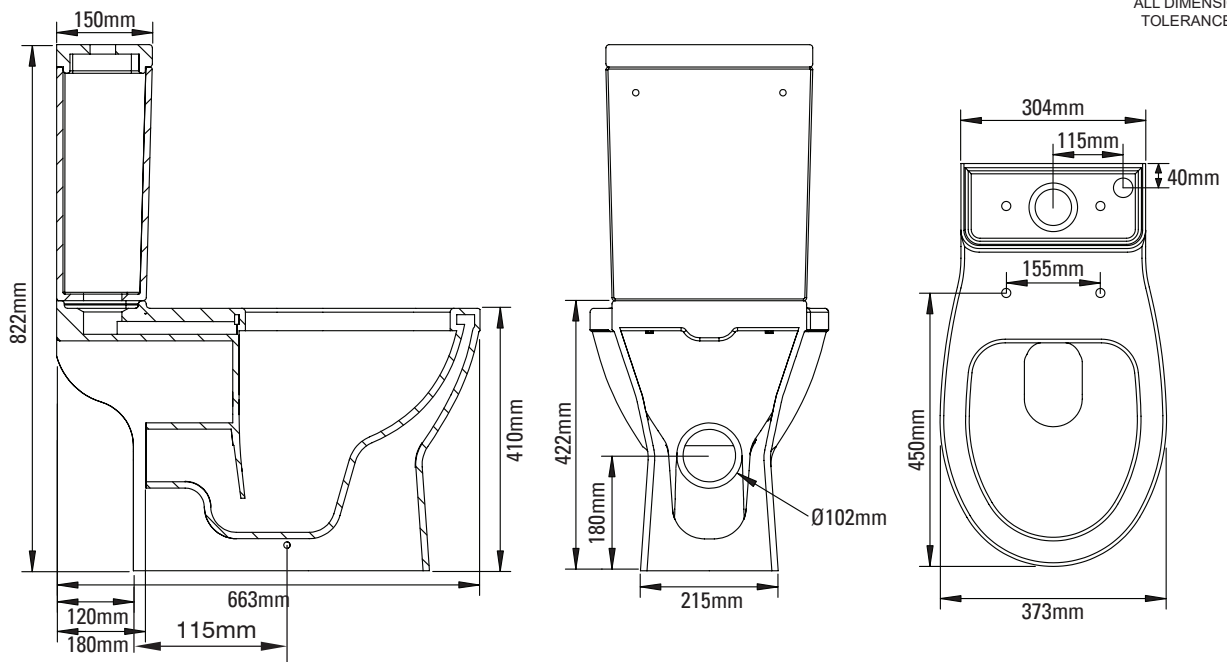


**Full Flush: 4.5L / Reduced Flush: 2.8L**  
**or**  
**Full Flush: 6.0L / Reduced Flush: 4.0L**

NO.	DESCRIPTION	PRODUCT CODE	FIXINGS INCLUDED?	GROSS WEIGHT	NET WEIGHT
1	MINERVA CISTERN INC. FLUSH FITTING & LID	MCCTNK	Yes	9kg	8.5kg
2	MINERVA SOFT CLOSE SEAT	MSCTS	Yes	3.05kg	3.05kg
3	MINERVA CLOSE COUPLED PAN	MCCPAN	Yes	26kg	25kg

**DIMENSIONS**

DIAGRAMS NOT TO SCALE  
ALL DIMENSIONS IN MM  
TOLERANCE OF ± 5MM



**FAQ**

**What side is the inlet located?** Right hand side.

**Are there any other compatible seats?**

Minerva, Juno (RR 8703WSC), Neutron (RR 8901WSC) and Traditional (RR).

**Can this pan be used with a side connection outlet pipe?** Yes.

**The cistern lid wont shut/the cistern inst working correctly?**

Ensure the inlet and flush valves are set to the correct heights.

Tank Dimension (H/W/D)	365mm x 315 mm x 145 mm
Fixing hole centres	155mm
Flush hole diameter	60mm
Fixing hole diameter	15mm
Inlet hole diameter	23mm
Push button hole diameter	142mm
Fixing pack code	SPT 103

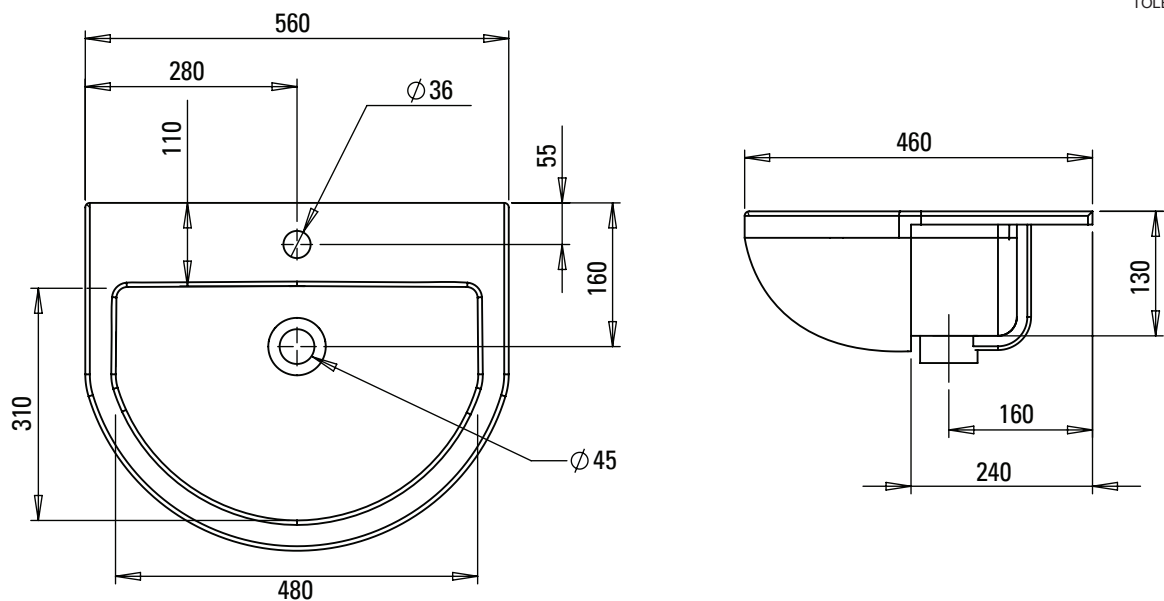
**MINERVA 560mm SEMI-COUNTERTOP BASIN - M3SCBAS**



NO.	DESCRIPTION	PRODUCT CODE	FIXINGS INCLUDED?	GROSS WEIGHT	NET WEIGHT
1	MINERVA 560mm SEMI-COUNTERTOP BASIN	M3SCBAS	Yes	11.8kg	11.8kg

**DIMENSIONS**

DIAGRAMS NOT TO SCALE  
ALL DIMENSIONS IN MM  
TOLERANCE OF ± 5MM



**FAQ**

How much water does this basin hold? 9 litres.

Is a cutting template included? Yes.

Internal bowl depth? 115mm.

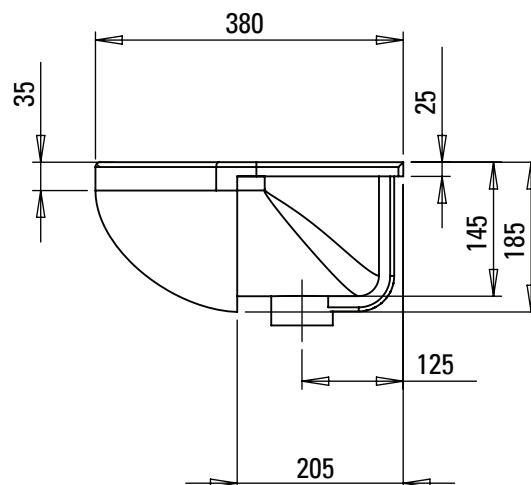
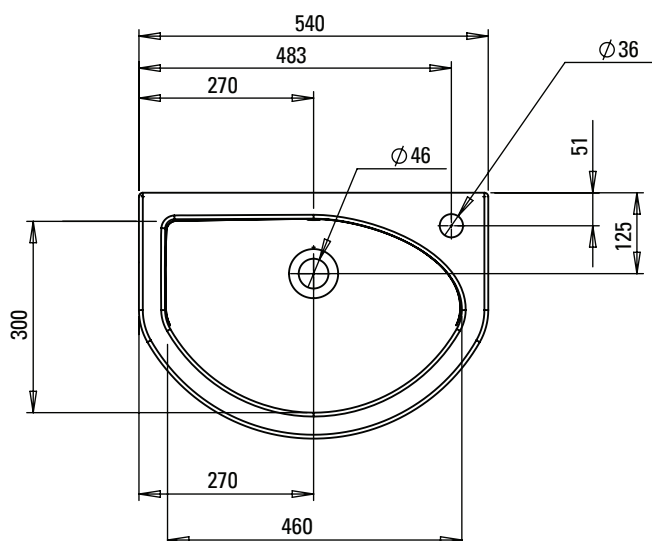
**MINERVA 535mm SLIMLINE SEMI-COUNTERTOP BASIN - M2SCBAS**



NO.	DESCRIPTION	PRODUCT CODE	FIXINGS INCLUDED?	GROSS WEIGHT	NET WEIGHT
1	MINERVA 535mm SLIMLINE SEMI-COUNTERTOP BASIN	M2SCBAS	Yes	10.95kg	10.95kg

**DIMENSIONS**

DIAGRAMS NOT TO SCALE  
ALL DIMENSIONS IN MM  
TOLERANCE OF ± 5MM



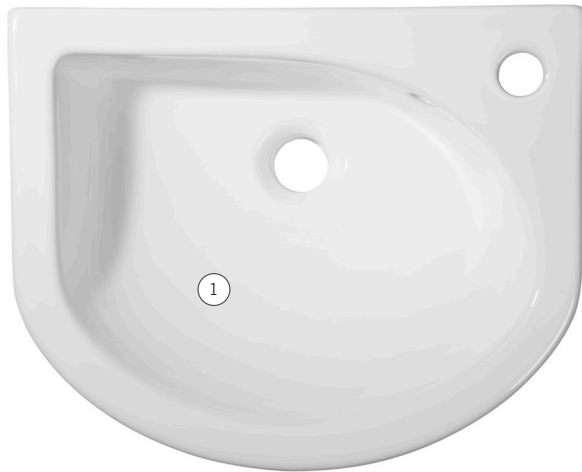
**FAQ**

How much water does this basin hold? 7.7 litres.

Is a cutting template included? Yes.

Internal bowl depth? 130mm.

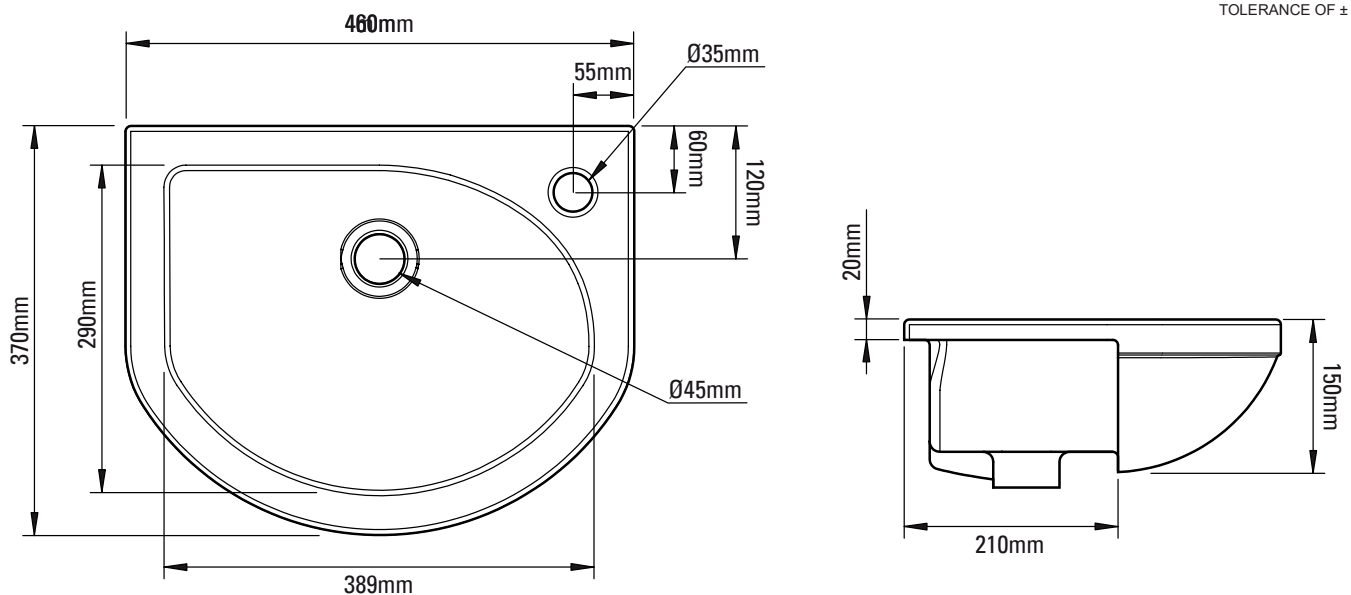
**MINERVA 460mm SEMI-COUNTERTOP BASIN - M2SCBAS46**



NO.	DESCRIPTION	PRODUCT CODE	FIXINGS INCLUDED?	GROSS WEIGHT	NET WEIGHT
1	MINERVA 460mm SEMI-COUNTERTOP BASIN	M2SCBAS46	Yes	12kg	11.5kg

**DIMENSIONS**

DIAGRAMS NOT TO SCALE  
ALL DIMENSIONS IN MM  
TOLERANCE OF ± 5MM



**FAQ**

How much water does this basin hold? 5.3 litres.

Is a cutting template included? Yes.

Internal bowl depth? 130mm.