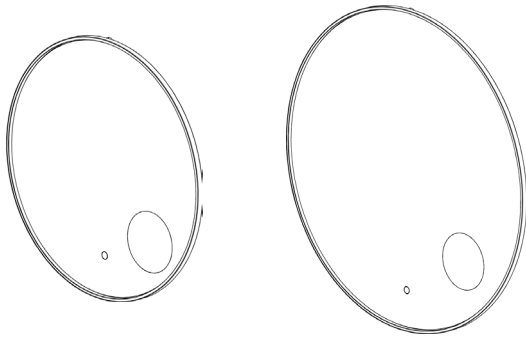


## LOOP



### Box Contents:

Loop Mirror: Instructions booklet | 3x wall plugs | 3x screws

### Materials

*Frame Material:* Extruded Aluminium

*Glass:* 5mm PVC Backed

FAQ's:	Units	VM60C	VM80C
Can the mirror be hung landscape?	-	No	
What is the thickness of the mirror glass?	mm	5	
Is the mirror IP44 rated?	-	Yes – Suitable for use in bathroom zone 2	
What size fuse should I use?	-	Seek the advice of an electrician	
What is the total power consumption?	W	62.35	89.9
Does the mirror have an energy rating?	-	Yes – It has an energy rating of: F	
What is the colour of the light and the Kelvin rating?	K	2700 - 6000	
What is the Lumen of the LEDs?*	Lms	2458	3289
What is the wattage of the lights?	W	22	30
Where is the touch sensor located?	-	Centre Middle	
Can the LED lighting be replaced?	-	No**	
What is the output of the demister pad?	W	14	18
What are the dimensions of the demister pad? (Diameter)	mm	Ø300	Ø400
How do I turn on the demister pad?	-	The demister pad will turn on when the mirror is turned on	
Are illuminated mirrors supplied with mains cable?	-	All illuminated mirrors are supplied with a removeable 500mm mains cable.	

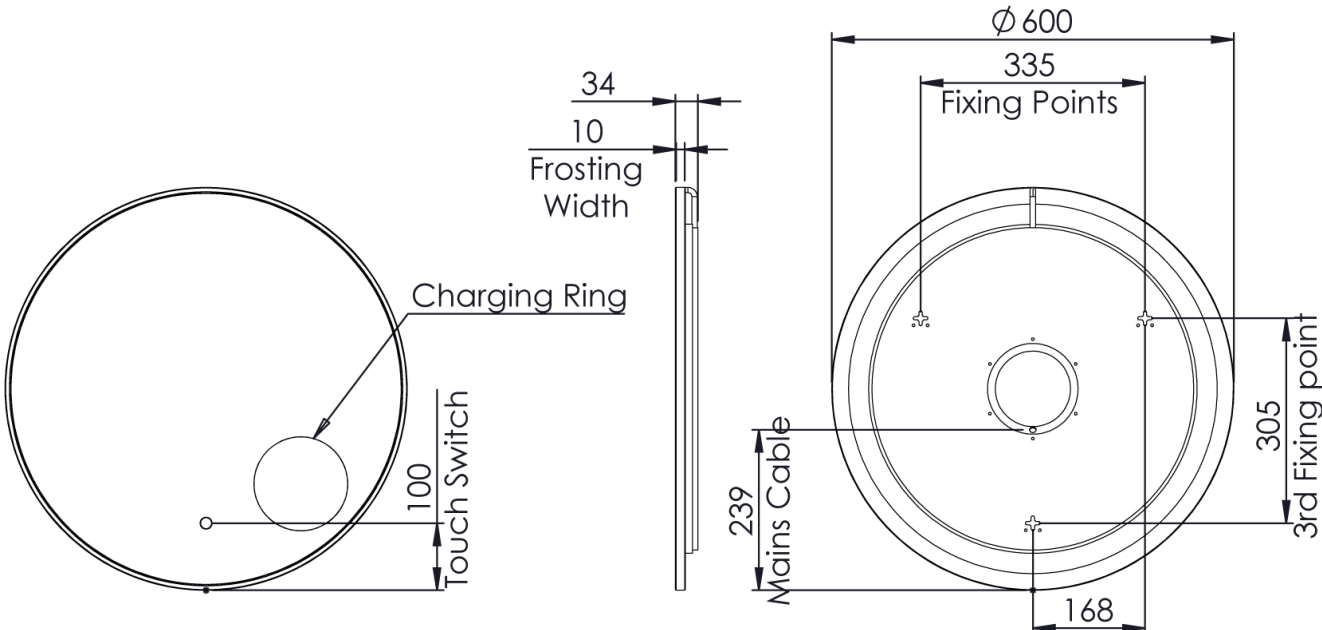
Dimensions are subject to change; customers are advised to measure actual product before commencing installation.

Fixing point dimensions are for guidance only/the positions of wall fixing must be checked when product is received.

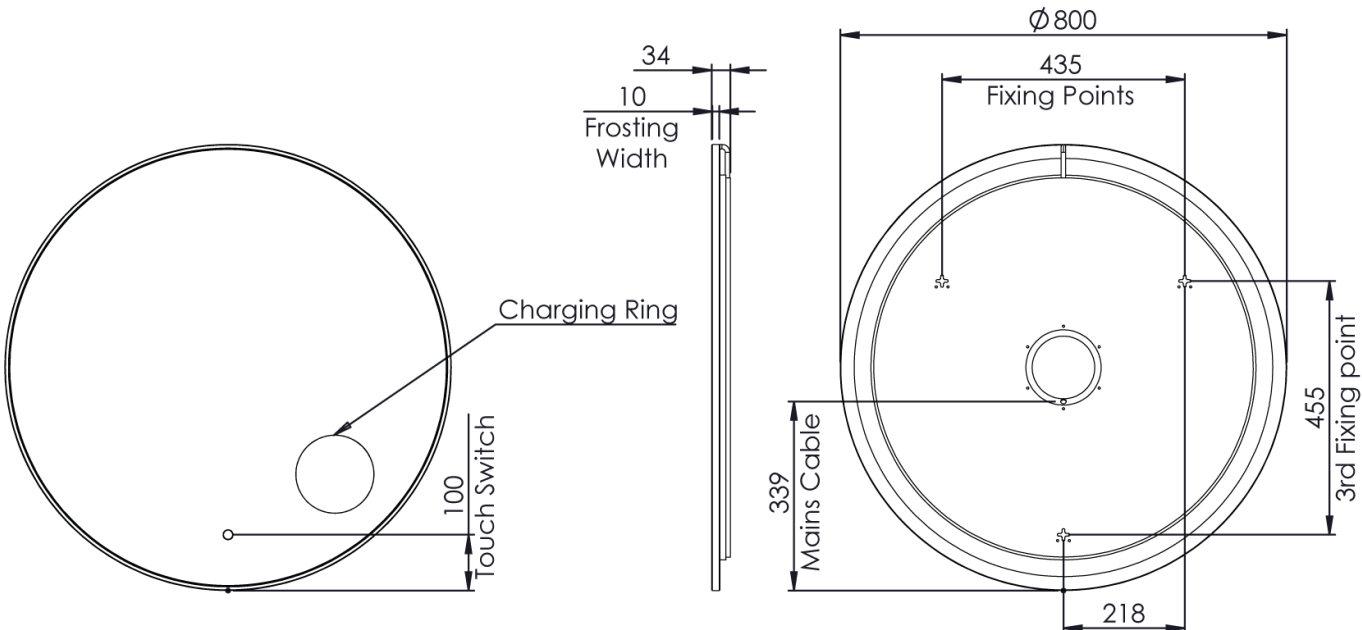
\*The Lumen represents the output of the LED. This may vary depending on the diffuser material i.e., glass or acrylic.

\*\*The LEDs are not replaceable to maintain the integrity of the product's resistance to moisture ingress

## VM60C



## VM80C



## Loop ERP

### LOOP MIRROR RANGE APPLICABLE TO: VMM60C & VMM80C

Product must be turned off and isolated from the power supply before performing maintenance

#### EXPLODED VIEW KEY:

- STANDARD COMPONENT
- LIGHT SOURCE / CONTROL GEAR

#### ERP INFORMATION:

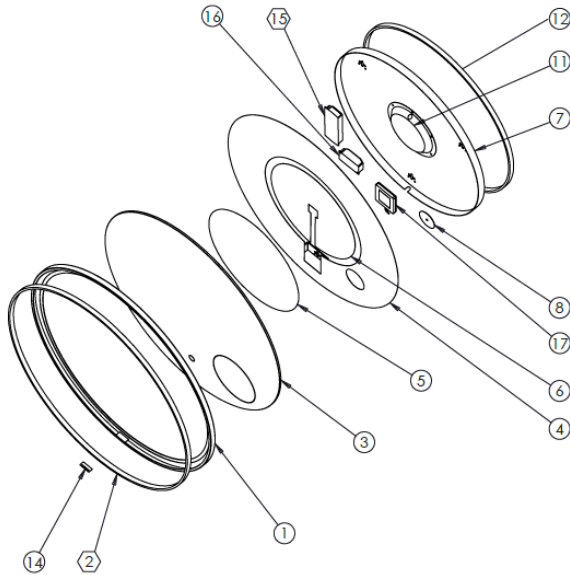
##### CATEGORY:

- LIGHT SOURCE
- CONTAINING PRODUCT
- CONTROL GEAR

#### LIGHT SOURCES:



#### CONTROL GEARS



ITEM NO.	PART NAME	DESCRIPTION / MATERIAL	QTY.	ENERGY RATING	REPLACABILITY JUSTIFICATION
1	FRAME	ALUMINIUM	1		
2	FRONT LEDS	Neon-2216-12V-1667	1	F	IP RATING COMPROMISED
3	MIRROR GLASS	GLASS	1		
4	STEEL BACKPLATE	STEEL	1		
5	DEMIST PAD	BGRR-REW	1		
6	STEEL BACKPLATE	STEEL	1		
7	BACK COVER	STEEL	1		
8	WIRELESS CHARGING COIL	TRS-MLR-1	1		
12	BACK LEDS	TQ12V-2835-CC12-1667	1	F	IP RATING COMPROMISED
14	LOGO PLATE	STAINLESS STEEL	1		
15	LED DRIVER	AED60H-12VLSTB/ AED40-12VLSTB/ AED04-700ILS	2		
16	RELAY	TS-002	1		
17	TOUCH SENSOR	M7011-B-D-EL-CTM-12V-MLR	1		

## ROPER RHODES®

Design © Roper Rhodes Ltd  
Copyright / design right owned by Roper Rhodes Ltd. In the event of this being infringed Roper Rhodes Ltd will take any necessary legal action to protect it.

Revision: 26/09/2022

Created: 22 March 2022

Sheet 1 of 1

Title: LOOP MIRROR ERP

Material:

Finish:

Drawn by: JOE ELLIOTT

Dimensions: mm

Scale: 1:10

A3

