

600 Semi-countertop basin unit

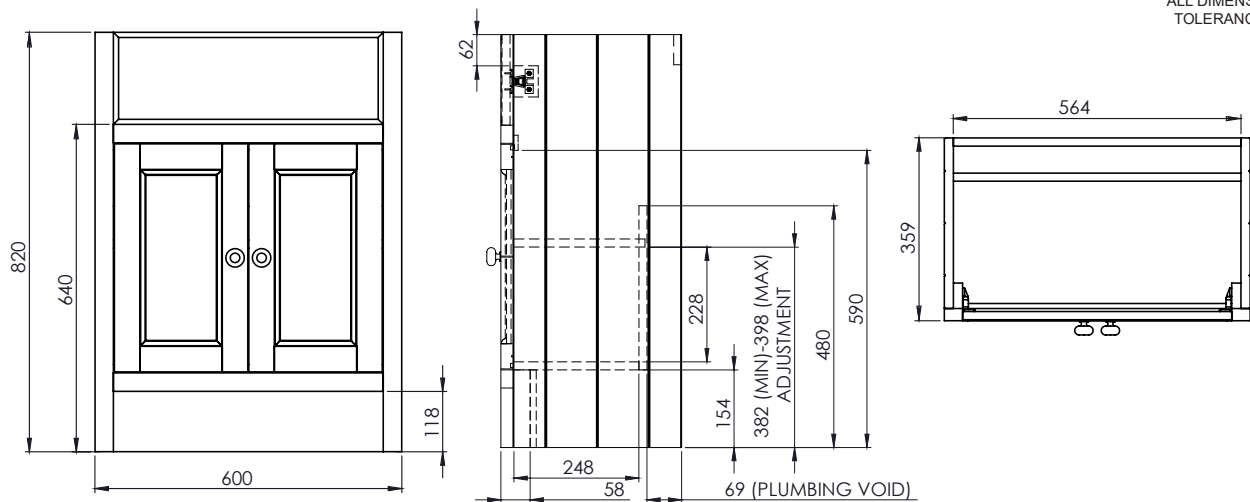
ROPER RHODES®
BATH



| NO. | DESCRIPTION | PRODUCT CODE | FIXINGS INCLUDED? | GROSS WEIGHT | NET WEIGHT |
|-----|------------------------------------|--------------|-------------------|--------------|------------|
| 1 | HAMPTON 600M SEMI COUNTER TOP UNIT | HAM600SCT | YES | 23.3kg | 23.3kg |

DIMENSIONS

DIAGRAMS NOT TO SCALE
ALL DIMENSIONS IN MM
TOLERANCE OF ± 5MM



FAQ

- Q: How big is the plumbing void at the back of the furniture?
A: 69mm
- Q: Are the handles fitted?
A: No, hole centres need to be drilled using the pilot holes provided.
- Q: Can I use different handles?
A: Yes, other handle hole centres can be drilled by the fitter.
- Q: How deep/wde is the unit with doors open?
A: Approx depth with 90 degree hinge 630mm. Width at 1040mm.
- Q: Is the shelf removable?
A: Yes, there is one removable shelf.
- Q: What is the shelf capacity?
A: Shelf max depth: 260mm
- Q: How many shelves are there?
A: There are two shelves within the unit.
- Q: Are the shelves adjustable? What Height?
A: Yes, 382mm (min) to 398mm (max) from floor.
- Q: What is the interior finish of the unit?
A: The unit interior is the same finish as the exterior.
- Q: What's the gap between the the wall and back of basin?
A: The gap is 45mm
- Q: What Semi-Countertop basin can be used?
A: Any Roper Rhodes basins that fit standard depth worktops.

600 Basin Unit

ROPER RHODES®
BATH



Handle Specification: Chalk White

No. of Handles - 2
Screw Dimensions - 2 x (4mm x30mm)

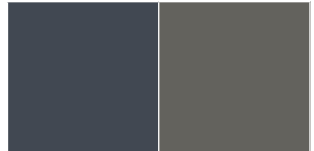
All other finishes:

No. of Handles - 2
Screw Dimensions 2 x (4mm x 29mm)



.VN
VANILLA

.MC
MOCHA



.SG
SLATE GREY

.PW
PEWTER

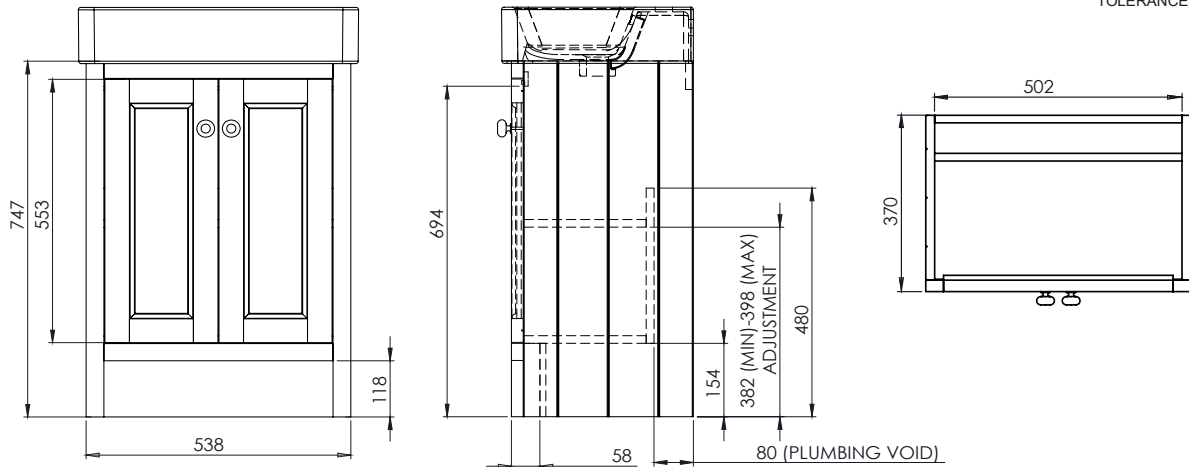


.W
CHALK WHITE

| NO. | DESCRIPTION | PRODUCT CODE | FIXINGS INCLUDED? | GROSS WEIGHT | NET WEIGHT |
|-----|------------------------------------|--------------|-------------------|--------------|------------|
| 1 | HAMPTON 550mm COUNTERTOP UNIT | HAM550B | YES | 20.4kg | 20.4kg |
| 2 | HAMPTON 560mm COUNTERTOP BASIN 1TH | HAM560C | N/A | 15.7kg | 15.7kg |
| 3 | HAMPTON 560mm COUNTERTOP BASIN 2TH | DC14001 | N/A | 15.7kg | 15.7kg |

DIMENSIONS

DIAGRAMS NOT TO SCALE
ALL DIMENSIONS IN MM
TOLERANCE OF ± 5MM



FAQ

- Q: How big is the plumbing void at the back of the furniture?
 Q: Are the handles fitted?
 Q: Can I use different handles?
 Q: How deep/wde is the unit with doors open?
 Q: Is the shelf removable?
 Q: What is the shelf capacity?
 Q: How many shelves are there?
 Q: Are the shelves adjustable? What Height?
 Q: What is the interior finish of the unit?
 Q: What is the distance between the two tap holes on 2TH unit?

- A: 80mm
 A: No, hole centres need to be drilled using the pilot holes provided.
 A: Yes, other handle hole centres can be drilled by the fitter.
 A: Approx depth with 90 degree hinge 590mm. Width at 895mm.
 A: Yes, there is one removable shelf.
 A: Shelf max depth: 310mm
 A: There are two shelves within the unit.
 A: Yes, 382mm (min) to 398mm (max) from floor.
 A: The unit interior is the same finish as the exterior.
 A: The distance is 200mm between both tap holes.

600 Underslung Basin Unit

ROPER RHODES®
BATH



Handle Specification: Chalk White
No. of Handles - 2
Screw Dimensions - 2 x (4mm x30mm)

All other finishes:
No. of Handles - 2
Screw Dimensions 2 x (4mm x 29mm)



.VN
VANILLA

.MC
MOCHA



.SG
SLATE GREY

.PW
PEWTER

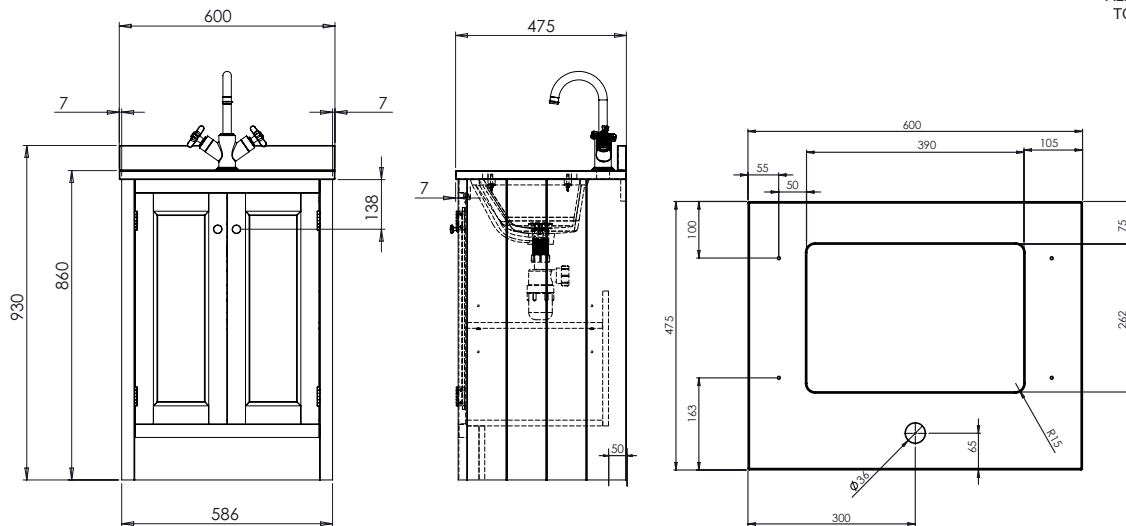


.W
CHALK WHITE

| NO. | DESCRIPTION | PRODUCT CODE | FIXINGS INCLUDED? | GROSS WEIGHT | NET WEIGHT |
|-----|-----------------------------------|--------------|-------------------|--------------|------------|
| 1 | HAMPTON 600 UNDERSLUNG BASIN UNIT | HAM600US | YES | 26.5kg | 26.5kg |
| 2 | HAMPTON 600 UNDERSLUNG WORKTOP | HAM4W6AUS.AR | N/A | 12.6kg | 12.6kg |
| 3 | HAMPTON 600 UNDERSLUNG BASIN | HAMUSC1 | YES | 6.5kg | 6.5kg |

DIMENSIONS

DIAGRAMS NOT TO SCALE
ALL DIMENSIONS IN MM
TOLERANCE OF ± 5MM



FAQ

- Q: How big is the plumbing void at the back of the furniture?
 Q: Are the handles fitted?
 Q: Can I use different handles?
 Q: How deep/wde is the unit with doors open?
 Q: Is the shelf removable?
 Q: What is the shelf capacity?
 Q: How many shelves are there?
 Q: Are the shelves adjustable?
 Q: What is the interior finish of the unit?
 Q: Can I use other basins with the worktop?
 Q: How tall is the worktop upstand? How thick is the worktop?

- A: 50mm
 A: No, hole centres need to be drilled using the pilot holes provided.
 A: Yes, other handle hole centres can be drilled by the fitter.
 A: Approx depth with 90 degree hinge 740mm. Width at 1600mm.
 A: Yes, there is one removable shelf.
 A: Shelf max depth: 376mm
 A: There are two shelves within the unit.
 A: Yes, there are a number of shelf positioning holes pre-drilled.
 A: The unit interior is the same finish as the exterior.
 A: No, the worktop is pre-cut for Hampton Underslung Basin size.
 A: The upstand is 70mm and the worktop thickness is 25mm.

1200 Underslung Basin Units

ROPER RHODES®
BATH

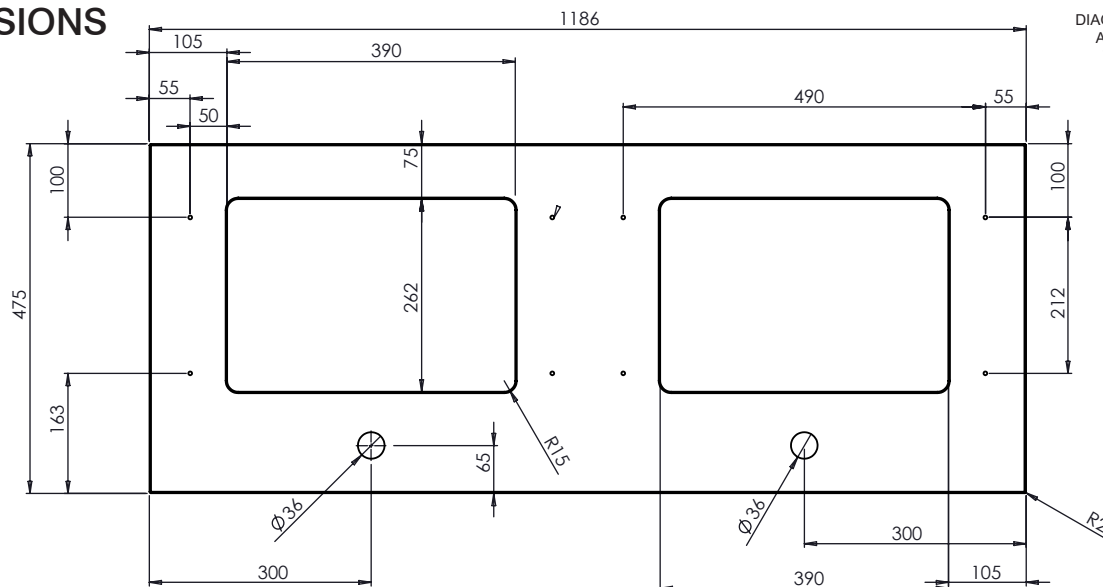


Note:
Two 600mm Underslung Basin Units can be joined together to create a 1200mm wide double unit. In this configuration, a 1200mm worktop can be used with two underslung basins.



| NO. | DESCRIPTION | PRODUCT CODE | FIXINGS INCLUDED? | GROSS WEIGHT | NET WEIGHT |
|-----|-----------------------------------|---------------|-------------------|--------------|------------|
| 1 | HAMPTON 600 UNDERSLUNG BASIN UNIT | 2x HAM600US | YES | 26.5kg | 26.5kg |
| 2 | HAMPTON 1200 UNDERSLUNG WORKTOP | HAM4W12AUS.AR | N/A | 23kg | 23kg |
| 3 | HAMPTON 600 UNDERSLUNG BASIN | 2x HAMUSC1 | YES | 6.5kg | 6.5kg |

DIMENSIONS



DIAGRAMS NOT TO SCALE
ALL DIMENSIONS IN MM
TOLERANCE OF ± 5MM

FAQ

Note:

Two 600mm Underslung Basin Units can be joined together to create a 1200mm wide double unit. In this configuration, a 1200mm worktop can be used with two underslung basins.

What is the overall depth of the units with the door open? 740mm
What is the overall width of the units with the doors open? 1600mm

Note: See previous sheet for questions about the individual units.

700 Basin Unit

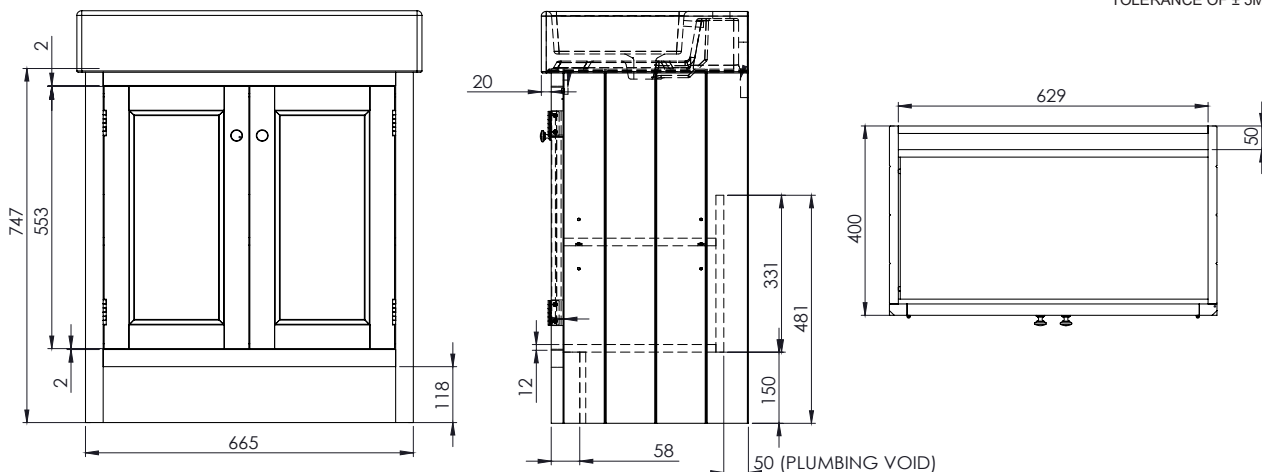
ROPER RHODES®
BATH



| NO. | DESCRIPTION | PRODUCT CODE | FIXINGS INCLUDED? | GROSS WEIGHT | NET WEIGHT |
|-----|------------------------------|--------------|-------------------|--------------|------------|
| 1 | HAMPTON 700 BASIN UNIT | HAM700B | YES | 23kg | 23kg |
| 2 | HAMPTON 710 COUNTERTOP BASIN | HAM700C | N/A | 17.7kg | 17.7kg |

DIMENSIONS

DIAGRAMS NOT TO SCALE
ALL DIMENSIONS IN MM
TOLERANCE OF ± 5MM



FAQ

- Q: How big is the plumbing void at the back of the furniture?
 Q: Are the handles fitted?
 Q: Can I use different handles?
 Q: How deep/wde is the unit with doors open?
 Q: Is the shelf removable?
 Q: What is the shelf capacity?
 Q: How many shelves are there?
 Q: Are the shelves adjustable? What Height?
 Q: What is the interior finish of the unit?

- A: 50mm
 A: No, hole centres need to be drilled using the pilot holes provided.
 A: Yes, other handle hole centres can be drilled by the fitter.
 A: Approx depth with 90 degree hinge 590mm. Width at 995mm.
 A: Yes, there is one removable shelf.
 A: Shelf max depth: 310mm
 A: There are two shelves within the unit.
 A: Yes, 382mm (min) to 398mm (max) from floor.
 A: The unit interior is the same finish as the exterior.

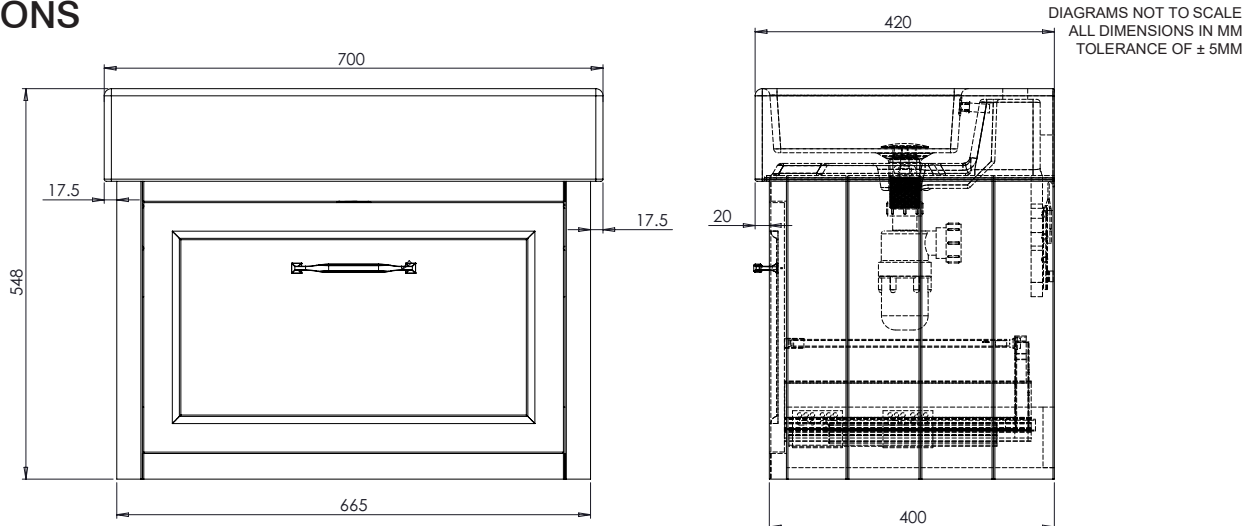
700 Wall Mounted Basin Unit

ROPER RHODES®
BATH



| NO. | DESCRIPTION | PRODUCT CODE | FIXINGS INCLUDED? | GROSS WEIGHT | NET WEIGHT |
|-----|---------------------------------|--------------|-------------------|--------------|------------|
| 1 | HAMPTON WALL MOUNTED BASIN UNIT | HAM700WM | YES | 22kg | 22kg |
| 2 | HAMPTON 710 COUNTERTOP BASIN | HAM700C | N/A | 17.7kg | 17.7kg |

DIMENSIONS



FAQ

- Q: How big is the plumbing void at the back of the furniture?
A: 55mm
- Q: How far apart are the hole centres for the handles?
A: 160mm (comes with pilot holes)
- Q: Are the handles fitted?
A: No, hole centres need to be drilled using the pilot holes provided.
- Q: Can I use different handles?
A: Yes, other handle hole centres can be drilled by the fitter.
- Q: Are the runners soft close?
A: The runners are both soft close and quick release.
- Q: How deep is the unit when the drawers are fully open?
A: Approx. 680mm including handle.
- Q: Can the drawers be adjusted?
A: The drawers can be adjusted as detailed in the supplied instructions.
- Q: What is the interior finish of the unit?
A: The unit interior is the same finish as the exterior.
- Q: Can the drawer be removed?
A: Yes, instructions on how to do so are included with the unit.
- Q: How is the unit secured in place?
A: The unit is secured to the wall with adjustable wall brackets.

400 Cloakroom Basin Unit

ROPER RHODES®
BATH



Handle Specification: Chalk White
No. of Handles - 1
Screw Dimensions - 1 x (4mm x30mm)

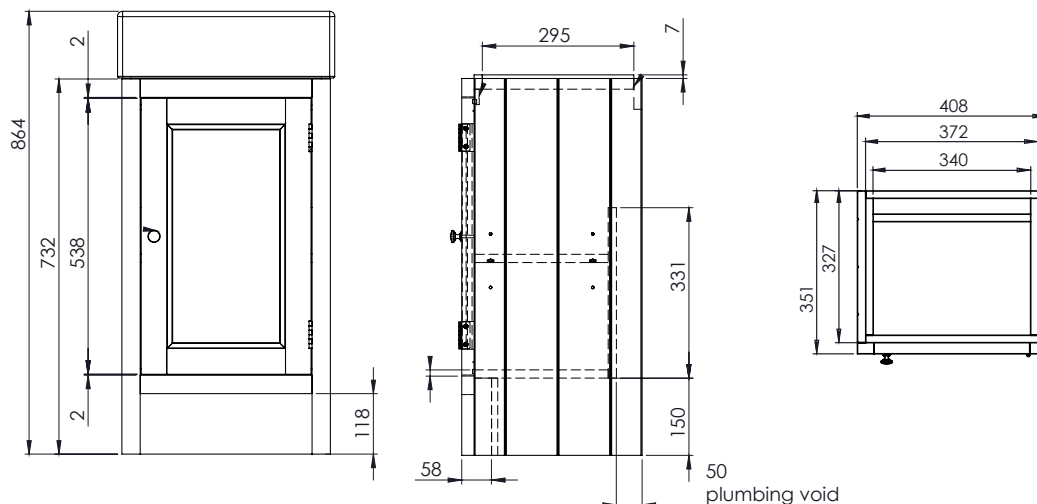
All other finishes:
No. of Handles - 1
Screw Dimensions 1 x (4mm x 29mm)



| NO. | DESCRIPTION | PRODUCT CODE | FIXINGS INCLUDED? | GROSS WEIGHT | NET WEIGHT |
|-----|----------------------------|--------------|-------------------|--------------|------------|
| 1 | HAMPTON 450 CLOAKROOM UNIT | HAM450B | YES | 16.3kg | 16.3kg |
| 2 | HAMPTON CLOAKROOM BASIN | HAM450C | N/A | 12.1kg | 12.1kg |

DIMENSIONS

DIAGRAMS NOT TO SCALE
ALL DIMENSIONS IN MM
TOLERANCE OF ± 5MM



FAQ

- Q: How big is the plumbing void at the back of the furniture?
A: 50mm
- Q: Are the handles fitted?
A: No, hole centres need to be drilled using the pilot holes provided.
- Q: Can I use different handles?
A: Yes, other handle hole centres can be drilled by the fitter.
- Q: How deep/wide is the unit with doors open?
A: Approx depth with 90 degree hinge 690mm. Width at 700mm.
- Q: Is the shelf removable?
A: Yes, there is one removable shelf.
- Q: What is the shelf capacity?
A: Shelf max depth: 310mm
- Q: How many shelves are there?
A: There are two shelves within the unit.
- Q: Are the shelves adjustable? What Height?
A: Yes, 382mm (min) to 398mm (max) from floor.
- Q: What is the interior finish of the unit?
A: The unit interior is the same finish as the exterior.
- Q: Is the door reversible?
A: Yes, pilot holes are made in the frame of the unit so the hinge can be positioned either side.

600 Back to Wall WC Unit

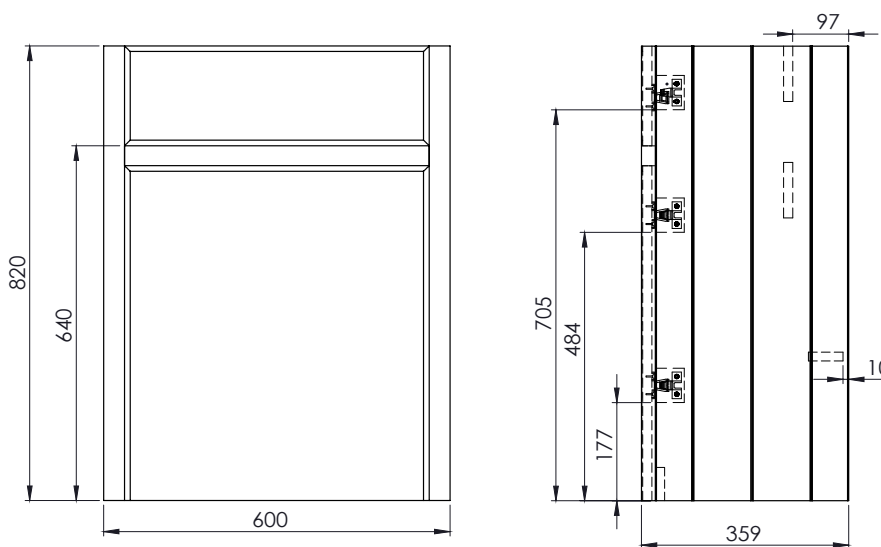
ROPER RHODES®
BATH



| FINISHES | |
|---|---|
|  |  |
| .VN VANILLA | .MC MOCHA |
|  |  |
| .SG SLATE GREY | .PW PEWTER |
|  | |
| .W CHALK WHITE | |

| NO. | DESCRIPTION | PRODUCT CODE | FIXINGS INCLUDED? | GROSS WEIGHT | NET WEIGHT |
|-----|--------------------------|--------------|-------------------|--------------|------------|
| 1 | HAMPTON 600 BACK TO WALL | HAM600BTW | YES | 20kg | 20kg |

DIMENSIONS



DIAGRAMS NOT TO SCALE
ALL DIMENSIONS IN MM
TOLERANCE OF ± 5MM

FAQ

- Q: Does the unit come supplied with a worktop?
 Q: Can a wall hung pan frame be used inside this unit?
 Q: Can a comfrot height pan be used with this unit?
 Q: Which cistern should I use with this unit?

- A: No, one should be chosen from our selection of worktops.
 A: Yes the standard Roper Rhodes Wall Hung Frame can be used.
 A: Yes, providing a comfort height cistern is used.
 A: All Roper Rhodes cisterns are compatible with this unit, but they should be checked for suitability with the desired pan.
 A: No, suitable holes for the pan and cistern buttons should be cut by the fitters. Any cuts or holes should be re-sealed to prevent any moisture ingress.

- Q: Do the fascias come pre-cut?

400 Floor Cupboard Unit

ROPER RHODES®
BATH



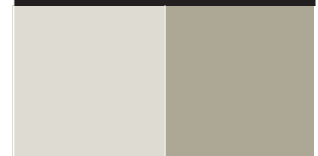
Handle Specification: Chalk White

No. of Handles - 2
Screw Dimensions - 1 x (4mm x 30mm)
1 x (4mm x 35mm)

All other finishes:

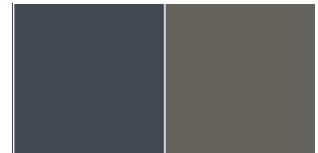
No. of Handles - 2
Screw Dimensions 1 x (4mm x 29mm)
1 x (4mm x 45mm)

FINISHES



.VN
VANILLA

.MC
MOCHA



.SG
SLATE GREY

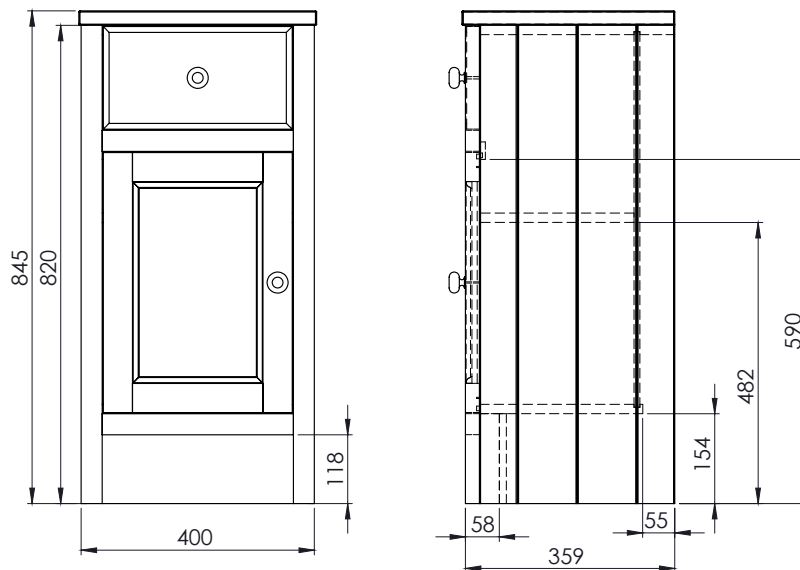
.PW
PEWTER



.W
CHALK WHITE

| NO. | DESCRIPTION | PRODUCT CODE | FIXINGS INCLUDED? | GROSS WEIGHT | NET WEIGHT |
|-----|---------------------------------|--------------|-------------------|--------------|------------|
| 1 | HAMPTON 400 FLOOR CUPBOARD UNIT | HAM400FC | YES | 25.4kg | 25.4kg |

DIMENSIONS



DIAGRAMS NOT TO SCALE
ALL DIMENSIONS IN MM
TOLERANCE OF ± 5MM

FAQ

- Q: How big is the plumbing void at the back of the furniture?
A: 55mm
- Q: Are the handles fitted?
A: No, hole centres need to be drilled using the pilot holes provided.
- Q: Can I use different handles?
A: Yes, other handle hole centres can be drilled by the fitter.
- Q: Are the runners soft close?
A: The runners are both soft close and quick release.
- Q: How deep is the unit when the drawers are fully open?
A: Approx. 670 mm including handle.
- Q: How deep/wde is the unit with doors open?
A: Approx depth with 90 degree hinge 685mm. Width at 680mm.
- Q: Is the shelf removable?
A: Yes, there is one removable shelf.
- Q: What is the shelf capacity?
A: Shelf max depth: 275mm
- Q: How many shelves are there?
A: There are two shelves within the unit.
- Q: Are the shelves adjustable? What Height?
A: Yes, there are a number of shelf positioning holes pre-drilled.
- Q: What is the interior finish of the unit?
A: The unit interior is the same finish as the exterior.
- Q: Is the door reversible?
A: Yes, pilot holes are made in the frame of the unit so the hinge can be positioned either side.

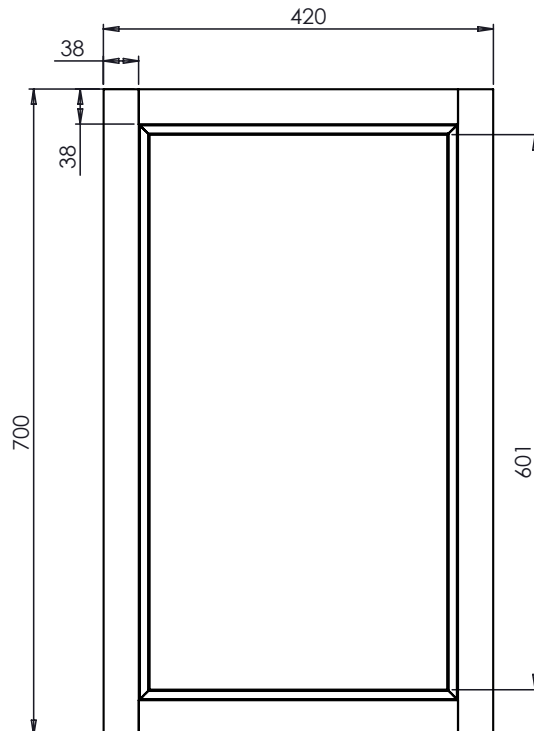
Cloakroom Mirror

ROPER RHODES®
BATH



| NO. | DESCRIPTION | PRODUCT CODE | FIXINGS INCLUDED? | GROSS WEIGHT | NET WEIGHT |
|-----|--------------------|--------------|-------------------|--------------|------------|
| 1 | HAMPTON 570 MIRROR | HAM420M | YES | 4.2kg | 4.2kg |

DIMENSIONS



DIAGRAMS NOT TO SCALE
ALL DIMENSIONS IN MM
TOLERANCE OF ± 5MM

| | |
|---------------------------|-------|
| Depth | 25mm |
| Fixing centres landscape | 390mm |
| Fixing centres portrait | 670mm |
| Fix point land to top | 145mm |
| Fix point portrait to top | 225mm |

FAQ

Can this mirror be hung in both portrait and landscape orientations? Yes there are fixing holes for both options.
How is this mirror hung on the wall? The mirror has keyhole slots cut into the wooden frame. The portrait holes are approx. 235mm from the top edge of the frame. The landscape holes are approx. 165mm from the left hand edge of the frame.

570 Mirror

ROPER RHODES®
BATH



FINISHES



.VN
VANILLA

.MC
MOCHA



.SG
SLATE GREY

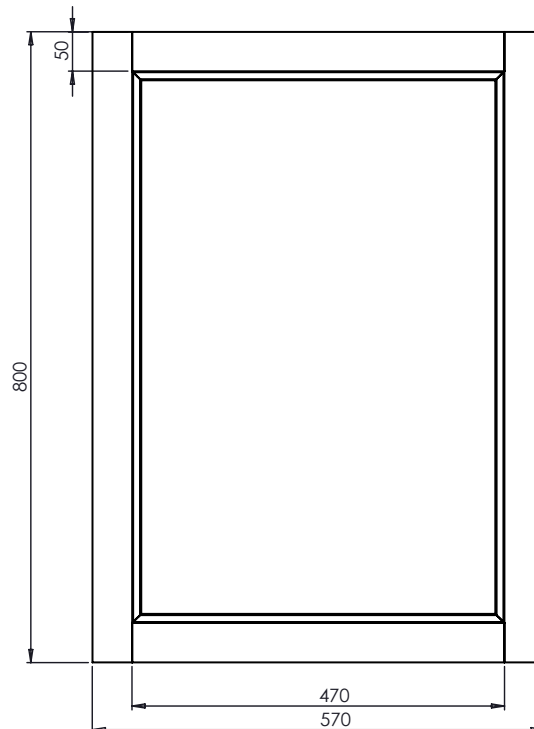
.PW
PEWTER



.W
CHALK WHITE

| NO. | DESCRIPTION | PRODUCT CODE | FIXINGS INCLUDED? | GROSS WEIGHT | NET WEIGHT |
|-----|--------------------|--------------|-------------------|--------------|------------|
| 1 | HAMPTON 570 MIRROR | HAM600M | YES | 6.1kg | 6.1kg |

DIMENSIONS



DIAGRAMS NOT TO SCALE
ALL DIMENSIONS IN MM
TOLERANCE OF ± 5MM

FAQ

Can this mirror be hung in both portrait and landscape orientations? Yes there are fixing holes for both options.
How is this mirror hung on the wall? The mirror has keyhole slots cut into the wooden frame. The portrait holes are approx. 235mm from the top edge of the frame. The landscape holes are approx. 165mm from the left hand edge of the frame.

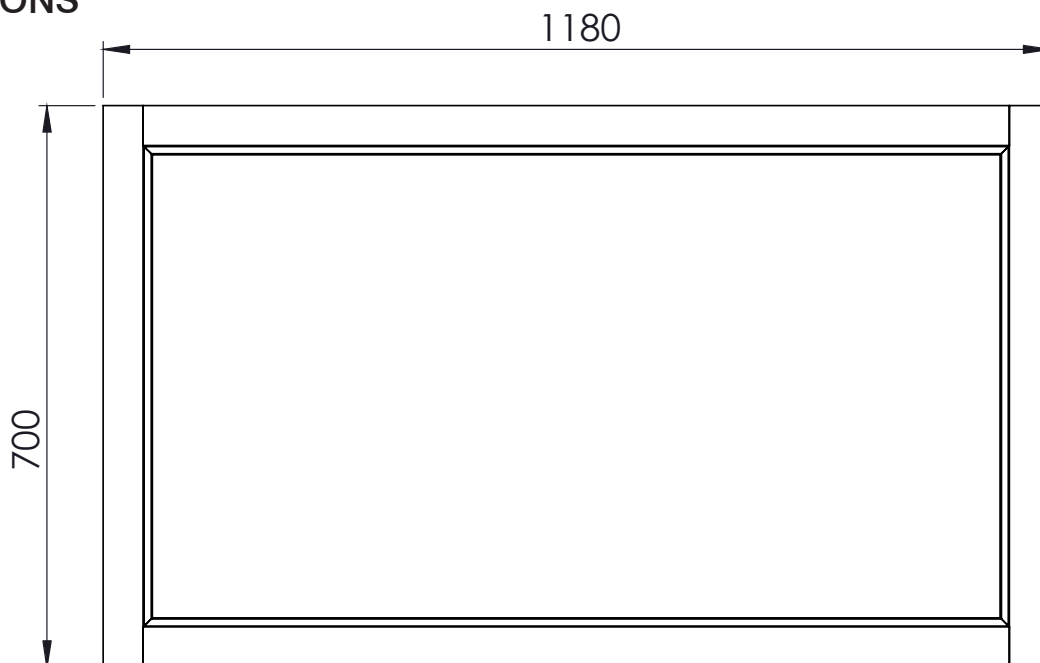
1200 Mirror

ROPER RHODES®
BATH



| NO. | DESCRIPTION | PRODUCT CODE | FIXINGS INCLUDED? | GROSS WEIGHT | NET WEIGHT |
|-----|---------------------|--------------|-------------------|--------------|------------|
| 1 | HAMPTON 1200 MIRROR | HAM1200M | YES | 10.95kg | 10.95kg |

DIMENSIONS



DIAGRAMS NOT TO SCALE
ALL DIMENSIONS IN MM
TOLERANCE OF ± 5MM

FAQ

Can this mirror be hung in both portrait and landscape orientations? Yes there are fixing holes for both options.
How is this mirror hung on the wall? The mirror has keyhole slots cut into the wooden frame. The portrait holes are approx. 235mm from the top edge of the frame. The landscape holes are approx. 165mm from the left hand edge of the frame.

600 Illuminated Mirror

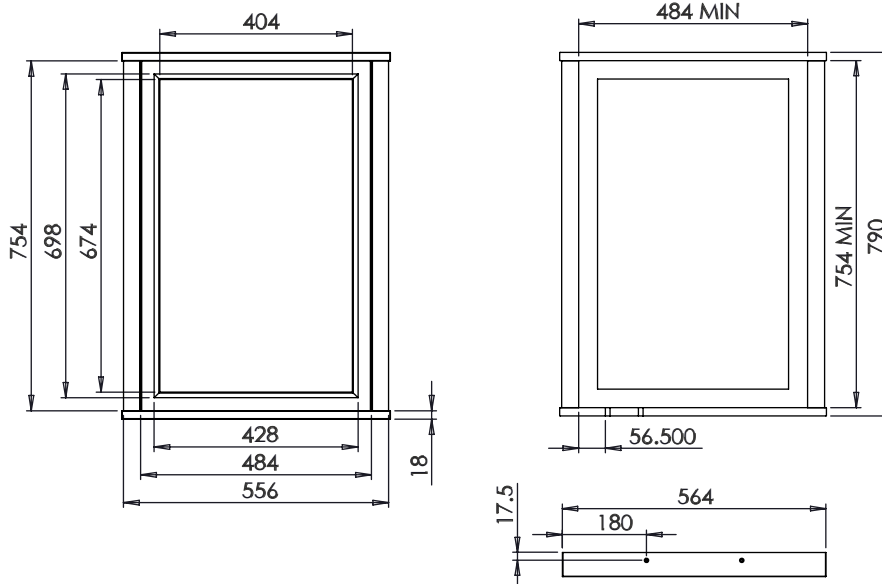
ROPER RHODES®
BATH



| FINISHES | |
|---|---|
|  |  |
| .VN VANILLA | .MC MOCHA |
|  |  |
| .SG SLATE GREY | .PW PEWTER |
|  | |
| .W CHALK WHITE | |

| NO. | DESCRIPTION | PRODUCT CODE | FIXINGS INCLUDED? | GROSS WEIGHT | NET WEIGHT |
|-----|----------------------------|--------------|-------------------|--------------|------------|
| 1 | HAMPTON ILLUMINATED MIRROR | HAMILL6COM | YES | 13kg | 13kg |

DIMENSIONS



DIAGRAMS NOT TO SCALE
ALL DIMENSIONS IN MM
TOLERANCE OF ± 5MM

FAQ

- What is the total power consumption of the mirror? 35.5 watts
- What is the colour temperature of the LED lighting? 6000 kelvin
- What is the total amount of lumens produced by the LED lighting? 600 lumens
- Where is the mains cable located? The mains cable is located in the centre of the back of the mirror.
- Can the mirror be hung separate of the mirror frame? No, the keyhole slots are only present on the frame.

565 Mirrored Cabinet

ROPER RHODES®
BATH



Handle Specification: Chalk White
No. of Handles - 1
Screw Dimensions - 1 x (4mm x30mm)

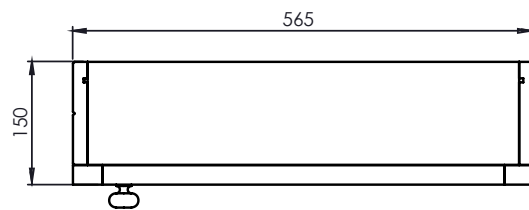
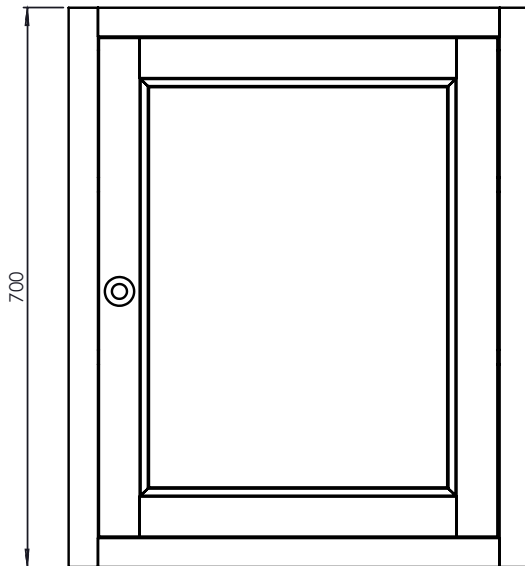
All other finishes:
No. of Handles - 1
Screw Dimensions 1 x (4mm x 29mm)



| NO. | DESCRIPTION | PRODUCT CODE | FIXINGS INCLUDED? | GROSS WEIGHT | NET WEIGHT |
|-----|---------------------|--------------|-------------------|--------------|------------|
| 1 | HAMPTON 565 CABINET | HAMCAB | YES | 20kg | 20kg |

DIMENSIONS

DIAGRAMS NOT TO SCALE
ALL DIMENSIONS IN MM
TOLERANCE OF ± 5MM



FAQ

Is the door reversible? No, the door can only be hinged on the right hand side.

Are the shelves adjustable? Yes, there are three shelf positions.

Can I use different handles? The unit is supplied with a pilot hole for the standard handle, but others can be drilled by the fitter.

Can I repair small areas of damage? Yes, we can supply small touch up paint pens for small paint repairs.