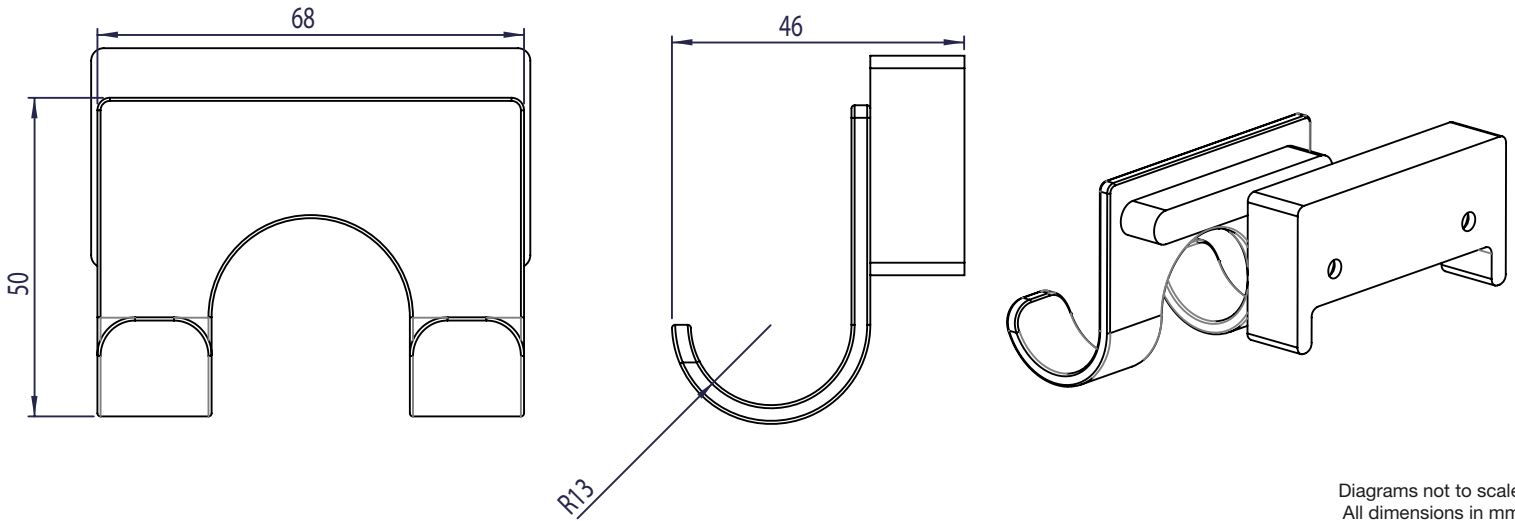


Technical Data Sheet

ROPER RHODES®

HALO DOUBLE ROBE HOOK

Whats in the box: 1x RB20.02 & Fixings



Diagrams not to scale
All dimensions in mm
tolerance of +/-5mm

Materials

Wall bracket: Chrome plated brass

Hook: Chrome plated brass

**Dimensions are subject to change, customers are advised to measure actual product before commencing installation.

***Fixing point dimensions are for guidance only/the positions of wall fixing must be checked when product is received.

FAQs

Q: Overall height?	A: 50mm
Q: Overall width?	A: 68mm
Q: Overall depth?	A: 46mm
Q: Fixing point centres?	A: 22.5mm
Q: Thickness of wall bracket?	A: 15mm
Q: Thickness of hook?	A: 3mm
Q: Distance between the two hooks?	A: 30mm