

TECHNICAL DATA SHEET

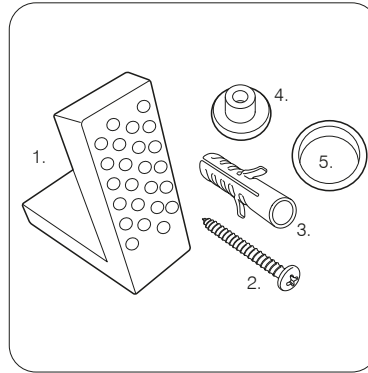
Harrow Back To Wall WC Pan - HBWPAN

ROPER RHODES®

NO.	Description	Product Code	Fixings included	Gross Weight
1	Soft Close Toilet Seat	HSCTSW	YES	3.6KG
2	Back to Wall WC	HBWPAN	YES	20KG



Floor Fixings

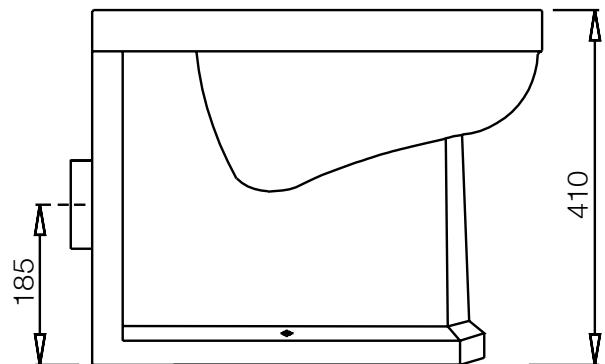
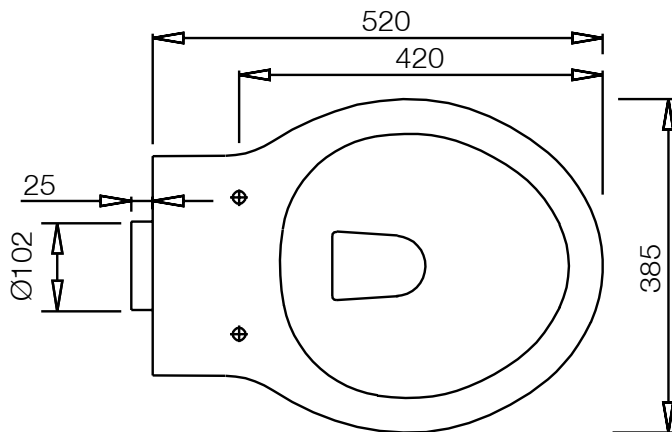


- 1. 2x Nylon Floor Bracket
- 2. 4x Stainless Steel Screws
- 3. 2x Nylon Screw Plugs
- 4. 2x Nylon Screw Collars
- 5. 2x Nylon Collars Caps (Metalic Finish)

Spare Code: SP14211

DIMENSIONS

DIAGRAMS NOT TO SCALE | ALL DIMENSIONS IN MM TOLERANCE OF ± 5MM
ALL PRODUCTS CONFORM TO BRITISH STANDARDS



*Dimensions are subject to change, customers are advised to measure actual product before commencing installation.
**Fixing point dimensions are for guidance only. The positions of fixings must be checked when product is received.

FAQs

Q - Are there any other compatible seats?
A - No

Q - Which concealed cistern do I use?
A - Torrent (TR9001) or Cascade (TR9002), depending on whether the water feed is bottom or side access. An In-Wall cistern (TR9009) is available for tiled-in installations.

Key Dimensions Descriptions	Key Dimensions (mm)
Front to Back Footprint	455mm
Left to Right Footprint	215mm
Bowl Front to Back	340mm
Bowl Left to Right	295mm
Pan Height	410mm
Pan Overall front to Back	520mm
Centre Flush Inlet to Floor	340mm
Centre Waste Outlet to Floor	180mm
Width of Void	160mm
Is there a Ceramic Brace Bar	No
Distance from Spigot to back of Pan	25mm