

INSTALLATION NOTES

Wall plugs supplied are only suitable for solid stone / brick walls. For plasterboard walls use specialist wall plugs, if in any doubt please consult an expert.

Wear suitable eye protection when drilling. Take care when using power tools near water - the use of a residual current device (RCD) is recommended. Beware of hidden pipes or cables. Take care when drilling tiled surfaces as the drill might slip. Use a piece of masking tape to prevent the drill from wandering.

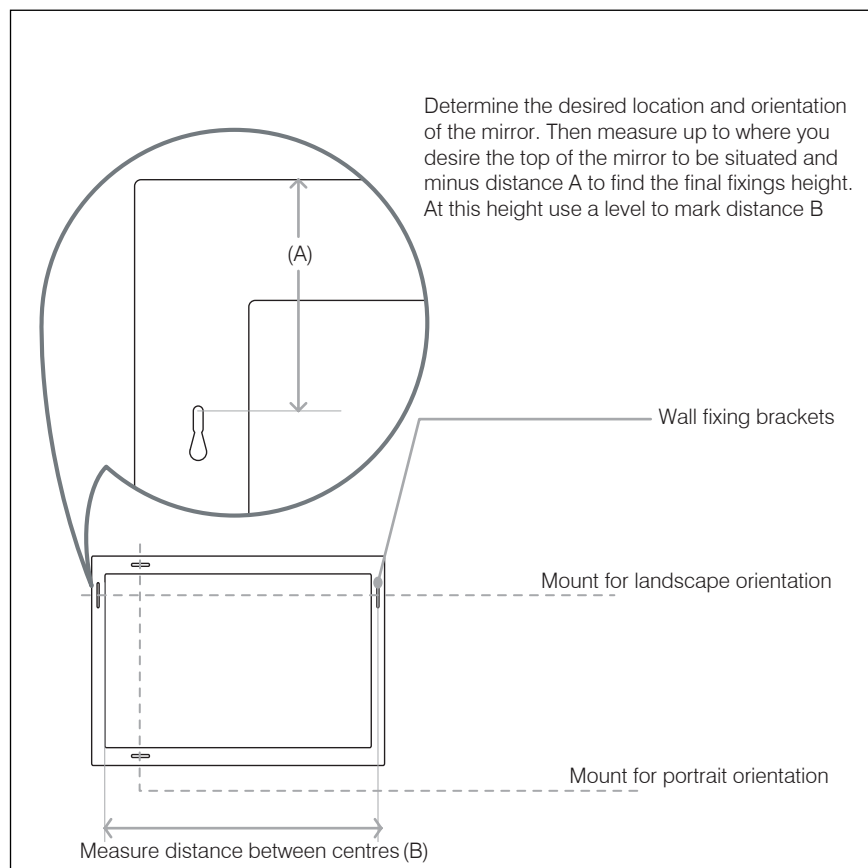


Figure 1

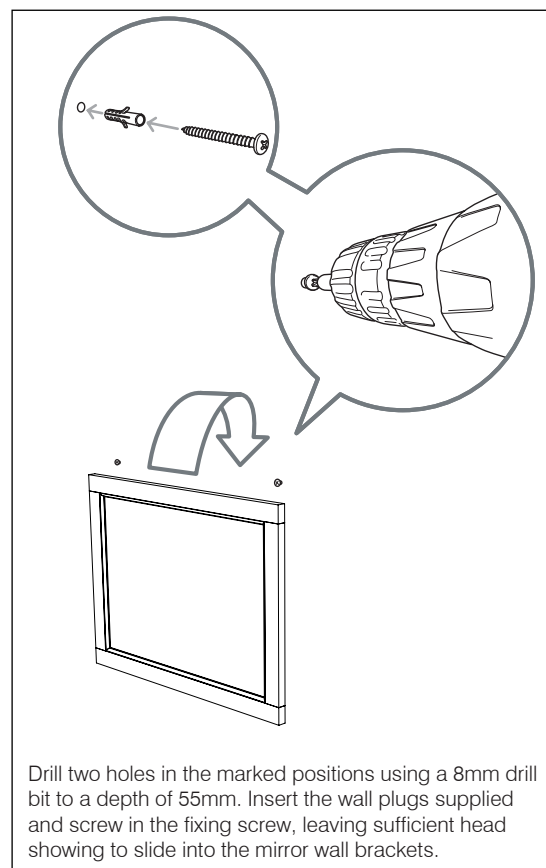


Figure 2

FURNITURE AFTERCARE INSTRUCTIONS

As with all wooden furniture, this product should be treated with care.

We recommend...	Please DO NOT...
<p>Wipe away any water splashes or condensation after use. Excessive exposure to water will deteriorate the furniture. All bathrooms should be well ventilated with a suitable extractor fan. Clean with a soft damp cloth only. Use a wax free polish if one must be used. For removal of lime scale deposits use a suitable proprietary cleaner. If necessary test on an inconspicuous area first.</p>	<p>Do not scrub or scour Do not use abrasive cleaning agents</p>

Replacement Components

Should you require any replacement components for this product please contact Roper Rhodes using the contact details below.