

Plinth Fixing

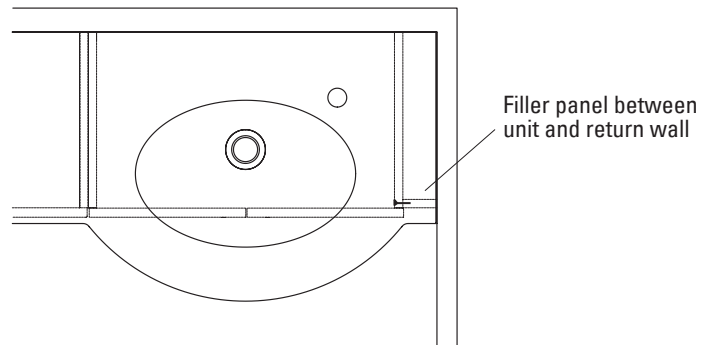
Plinths can be trimmed to suit the installation in hand. Once the plinth is the desired size it should be fixed to the base units using the sticky pads provided.

IMPORTANT NOTE: Re-seal all cut edges using waterproof sealant, varnish or oil based paint.

Filler Panels

Panels can be trimmed if filling a gap between a base unit and a return wall. Panels can also be scribed to the wall and clad to the ends of units in installations where walls are not true. Secure panels by drilling a suitably sized pilot hole from inside the carcass, or by using joiners blocks/angle brackets (not supplied).

IMPORTANT NOTE: Re-seal all cut edges using waterproof sealant, varnish or oil based paint.



Furniture Aftercare Instructions

As with all wooden furniture, this product should be treated with care.

We recommend...

- Wipe away any water splashes or condensation after use. Excessive exposure to water will deteriorate the furniture.
- All bathrooms should be well ventilated with a suitable extractor fan.
- Clean with a soft damp cloth only.
- Use a wax free polish if one must be used.
- For removal of lime scale deposits use a suitable proprietary cleaner. If necessary test on an inconspicuous area first.

Please DO NOT...

- Do not scrub or scour
- Do not use abrasive cleaning agents