

# TECHNICAL DATA SHEET

## Harrow Round 550mm 2 Tap Hole Basin and Pedestal

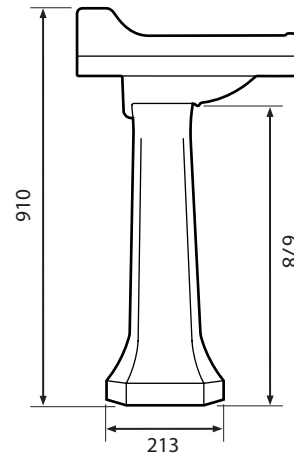
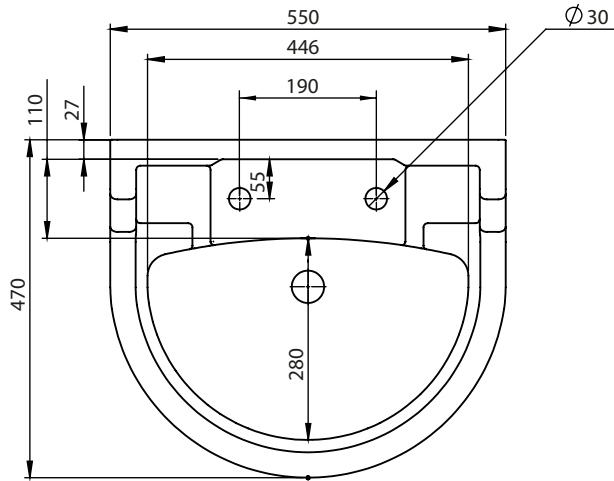
**ROPER RHODES®**

| NO. | Description                  | Product Code | Fixings included | Gross Weight |
|-----|------------------------------|--------------|------------------|--------------|
| 1   | Round 550mm 2 Tap Hole Basin | H55DB        | YES              | 16KG         |
| 2   | Pedestal                     | HPED         | YES              | 10KG         |



### DIMENSIONS

DIAGRAMS NOT TO SCALE | ALL DIMENSIONS IN MM TOLERANCE OF ± 5MM  
ALL PRODUCTS CONFORM TO BRITISH STANDARDS



\*Dimensions are subject to change, customers are advised to measure actual product before commencing installation.  
\*\*Fixing point dimensions are for guidance only. The positions of fixings must be checked when product is received.

### FAQs

Q - Position of fixing points?  
A - 280 Centres

Q - Does this basin have an integrated overflow?  
A - Yes

Q - What is the maximum water depth of the basin?  
A - 95mm up to the overflow.

### Basin

| Key Dimensions Descriptions     | Key Dimensions (mm) |
|---------------------------------|---------------------|
| Internal Basin Depth            | 135mm               |
| Internal Basin Front to Back    | 280mm               |
| Internal Basin Left to Right    | 446mm               |
| Tap Ledge                       | 110mm               |
| Taphole Centre to Waste Centre  | 140mm               |
| Taphole Centre to Back of Basin | 80mm                |
| Waste Centre to Back of Basin   | 190mm               |
| Width of Basin                  | 550mm               |
| Depth of Basin                  | 470mm               |

### Pedestal

| Key Dimensions Descriptions                         | Key Dimensions (mm) |
|---|---------------------|
| Distance at Rear Base from Wall when Fitted MIN/MAX | 115mm               |
| Footprint Front to Back Depth                       | 230mm               |
| Footprint Outside Width Front                       | 255mm               |
| Footprint Outside Width Back                        | 280mm               |
| Cavity Width (Pipe Fit)                             | 95mm                |
| Cavity Depth (Pipe Fit)                             | 110mm               |
| Height Excluding Basin                              | 678mm               |