

TECHNICAL DATA SHEET

Geo SCT Slim Depth Basin - G2SCBAS

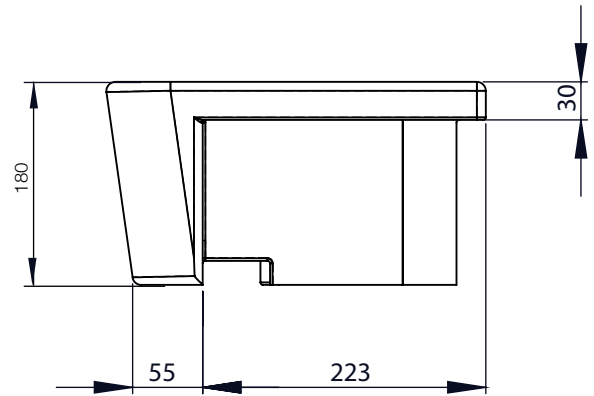
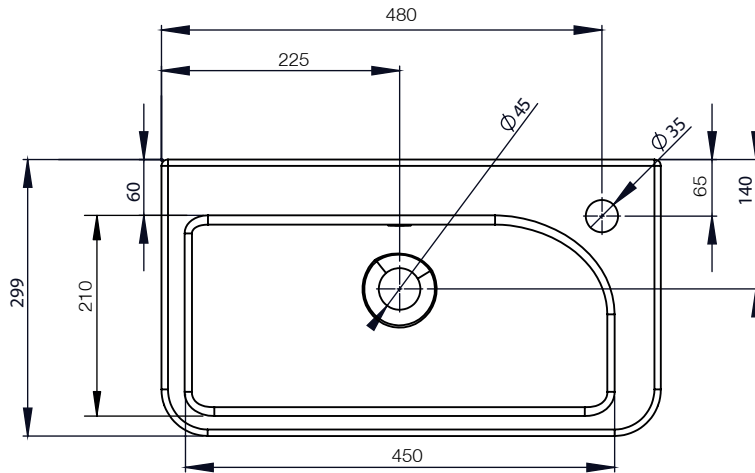
ROPER RHODES®

NO.	Description	Product Code	Template included	Gross Weight
1	Semi Recess Basin - Slim Depth	G2SCBAS	YES	12KG



DIMENSIONS

DIAGRAMS NOT TO SCALE | ALL DIMENSIONS IN MM TOLERANCE OF ± 5MM
ALL PRODUCTS CONFORM TO BRITISH STANDARDS



*Dimensions are subject to change, customers are advised to measure actual product before commencing installation.

**Fixing point dimensions are for guidance only. The positions of fixings must be checked when product is received.

FAQs

Q - Is a fitting template supplied?

A - Yes : Questions on cutting dimensions can be found on the template.

Q - How is the basin fixed to the furniture?

A - Fix to work top with silicone as per instructions supplied.

Key Dimensions Descriptions	Key Dimensions (mm)
Internal Bowl Depth	80mm
Internal Bowl Front to Back	210mm
Internal Bowl Left to Right	450mm
Tap Ledge	60mm
Taphole Centre to Waste Centre	260mm
Taphole Centre to Back of Basin	65mm
Waste Centre to Back of Basin	140mm
Height of Basin	180mm
Basin Overhang	75mm