

# TECHNICAL DATA SHEET

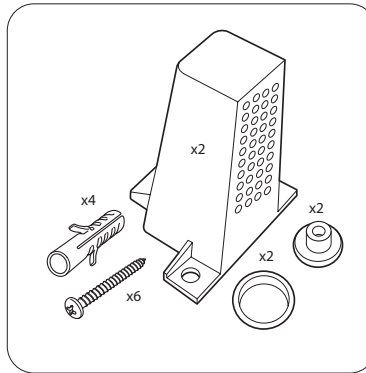
## Geo Closed Coupled Open Back WC

**ROPER RHODES®**

NO.	Description	Product Code	Fixings included	Gross Weight
1	Close Coupled Cistern	GCCTNK	YES	11KG
2	Soft Close Toilet Seat	GSCTS	YES	3KG
3	Open Back WC	GCCPAN2	YES	29KG



Floor Fixings

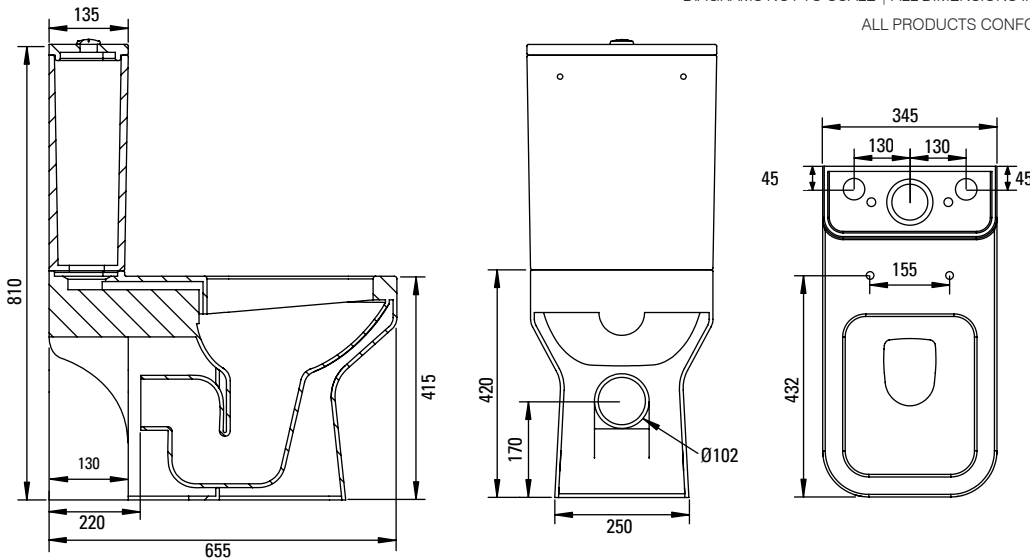


1. 2x Nylon Floor Bracket
2. 6x Stainless Steel Screws
3. 4x Nylon Screw Plugs
4. 2x Nylon Screw Collars
5. 2x Nylon Collar Caps (Metalic Finish)

Spare Code: TSP1134

## DIMENSIONS

DIAGRAMS NOT TO SCALE | ALL DIMENSIONS IN MM TOLERANCE OF  $\pm 5$ MM  
ALL PRODUCTS CONFORM TO BRITISH STANDARDS



\*Dimensions are subject to change, customers are advised to measure actual product before commencing installation.  
\*\*Fixing point dimensions are for guidance only. The positions of fixings must be checked when product is received.

## FAQs

Q - Where is the inlet valve?  
A - Bottom inlet, back right or left of the pan.

Q - What is the flush volume?  
A - 6/4L

Q - Can this pan be used with a side connection outlet pipe?  
A - Yes

Q - Are there any other compatible seats?  
A - No

Key Dimensions Descriptions	Key Dimensions (mm)
Front to Back Footprint	525mm
Left to Right Footprint	250mm
Pan Height (+ Cistern)	420mm (810mm)
Pan Overall Front to Back	655mm
Centre Waste Outlet to Floor	170mm
Width of Void	200mm
Is there a Ceramic Brace Bar	No
Distance from Spigot to back of Pan	220mm