

TECHNICAL DATA SHEET

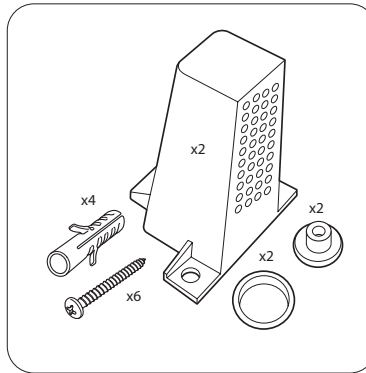
Geo Close Coupled Fully Enclosed WC

ROPER RHODES®

NO.	Description	Product Code	Fixings included	Gross Weight
1	Close Coupled Cistern	GCCTNK	YES	11KG
2	Soft Close Toilet Seat	GSCTS	YES	3KG
3	Fully Enclosed WC	GCCPAN	YES	30KG



Floor Fixings

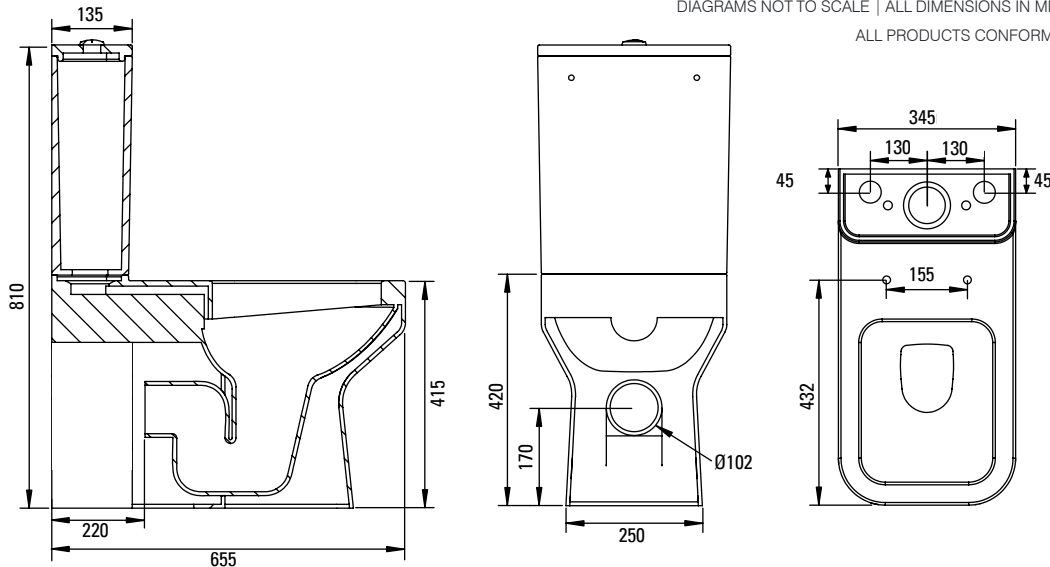


- 1. 2x Nylon Floor Bracket
- 2. 6x Stainless Steel Screws
- 3. 4x Nylon Screw Plugs
- 4. 2x Nylon Screw Collars
- 5. 2x Nylon Collar Caps (Metalic Finish)

Spare Code: TSP1134

DIMENSIONS

DIAGRAMS NOT TO SCALE | ALL DIMENSIONS IN MM TOLERANCE OF ± 5 MM
ALL PRODUCTS CONFORM TO BRITISH STANDARDS



*Dimensions are subject to change, customers are advised to measure actual product before commencing installation.

**Fixing point dimensions are for guidance only. The positions of fixings must be checked when product is received.

FAQs

Q - Where is the inlet valve?
A - Bottom inlet, back right or left of the pan.

Q - What is the flush volume?
A - 6/4L

Q - Can this pan be used with a side connection outlet pipe?
A - No

Q - Are there any other compatible seats?
A - No

Key Dimensions Descriptions	Key Dimensions (mm)
Left to Right Footprint	250mm
Pan Height (+Cistern)	420mm (810mm)
Pan Overall Front to Back	655mm
Centre Waste Outlet to Floor	170mm
Width of Void	200mm
Is there a Ceramic Brace Bar	No
Distance from Spigot to back of Pan	220mm