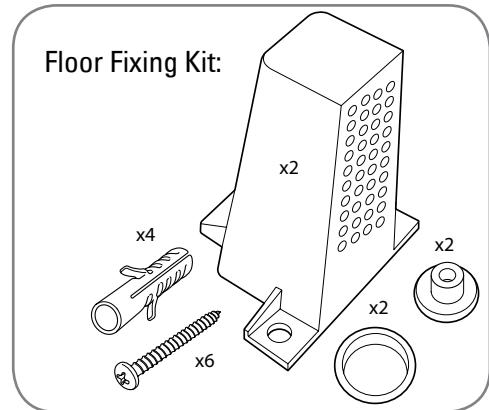


# Technical Data Sheet

## Geo Back To Wall Pan - GBWPAN

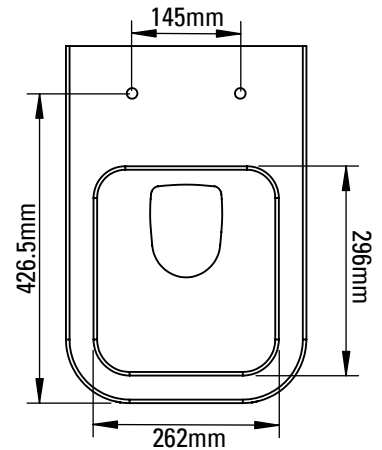
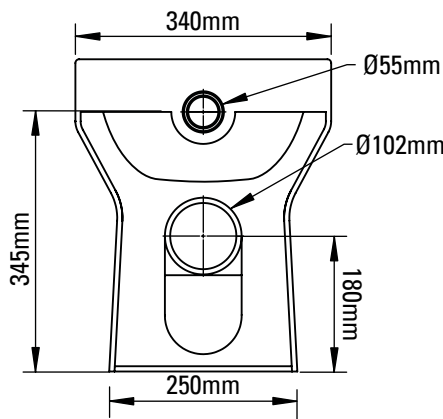
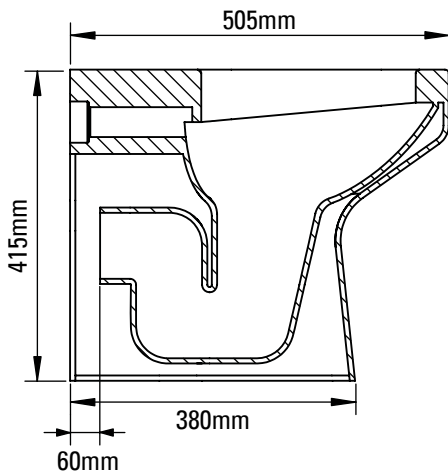
# ROPER RHODES®

No.	Description	Code	Fixings Included
1	Geo Seat	GSCTS	Yes
2	Geo Back To Wall Pan	GBWPAN	Yes



## Dimensions - GBWPAN

Diagrams not to scale. All dimensions in mm (tolerance of +/-5mm)



\*Dimensions are subject to change, customers are advised to measure actual product before commencing installation.  
 \*\*Fixing point dimensions are for guidance only/the positions of wall fixing must be checked when product is received.

## FAQs

Q: Are there any other compatible seats?

A: No

# Technical Data Sheet

## Geo 515mm SCT Basin - G3SCBAS

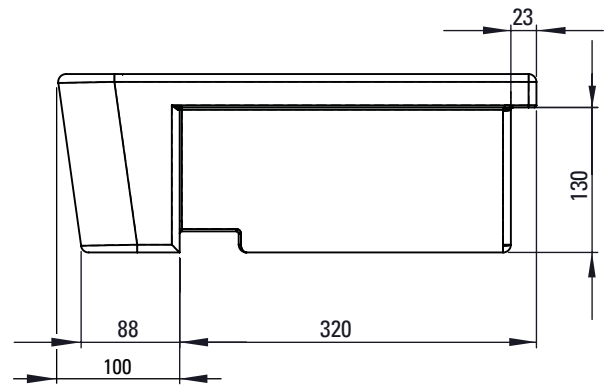
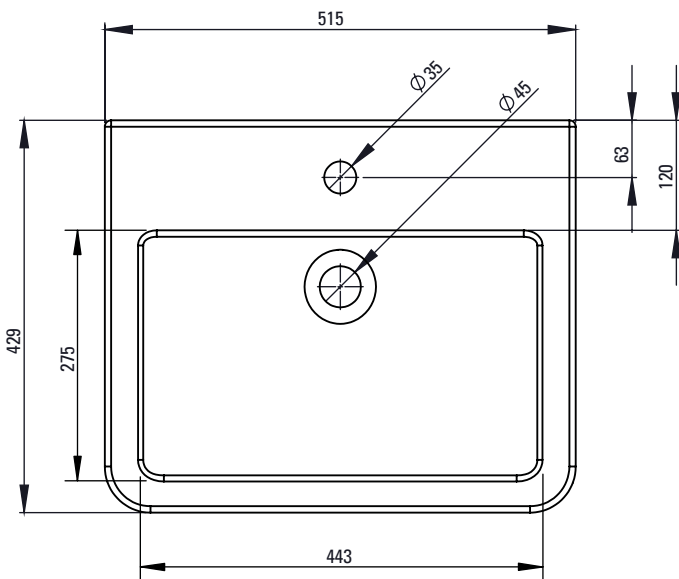
# ROPER RHODES®

No.	Description	Code	Fixings Included
1	Geo 515mm Semi-Countertop Basin 1TH	G3SCBAS	No



### Dimensions - G3SCBAS

Diagrams not to scale. All dimensions in mm (tolerance of +/-5mm)



\*Dimensions are subject to change, customers are advised to measure actual product before commencing installation.  
 \*\*Fixing point dimensions are for guidance only/the positions of wall fixing must be checked when product is received.

### FAQs

**Q: How much water does this basin hold?**  
 A: 5 Litres

**Q: Is there a cutting template supplied?**  
 A: Yes.

**Q: What is the water depth (to overflow)?**  
 A: 75mm

**Q: What is the bowl projection from the wall when on a fitted unit?**  
 A: 470mm

# Technical Data Sheet

## Geo 540mm Slim SCT Basin - G2SCBAS

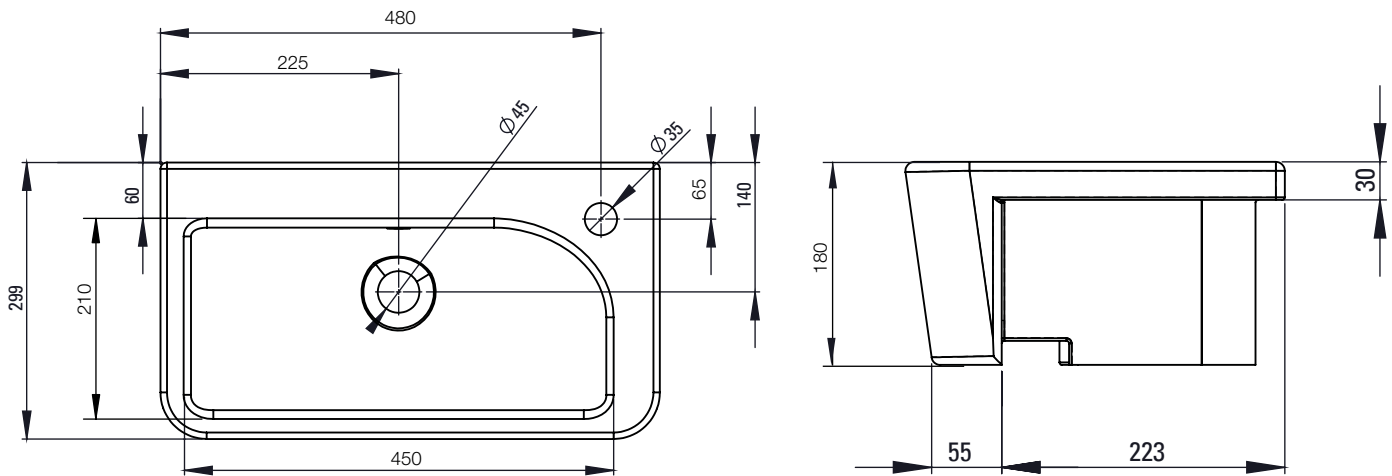
# ROPER RHODES®

No.	Description	Code	Fixings Included
1	Geo 540mm Slim Semi-Countertop Basin 1TH	G2SCBAS	No



### Dimensions - G2SCBAS

Diagrams not to scale. All dimensions in mm (tolerance of +/-5mm)



\*Dimensions are subject to change, customers are advised to measure actual product before commencing installation.  
 \*\*Fixing point dimensions are for guidance only/the positions of wall fixing must be checked when product is received.

### FAQs

Q: How much water does this basin hold?  
 A: 3 Litres

Q: Is there a cutting template supplied?  
 A: Yes.

Q: What is the water depth (to overflow)?  
 A: 80mm

# Technical Data Sheet

## Geo STD 500 SCT Basin - G3SCBAS50

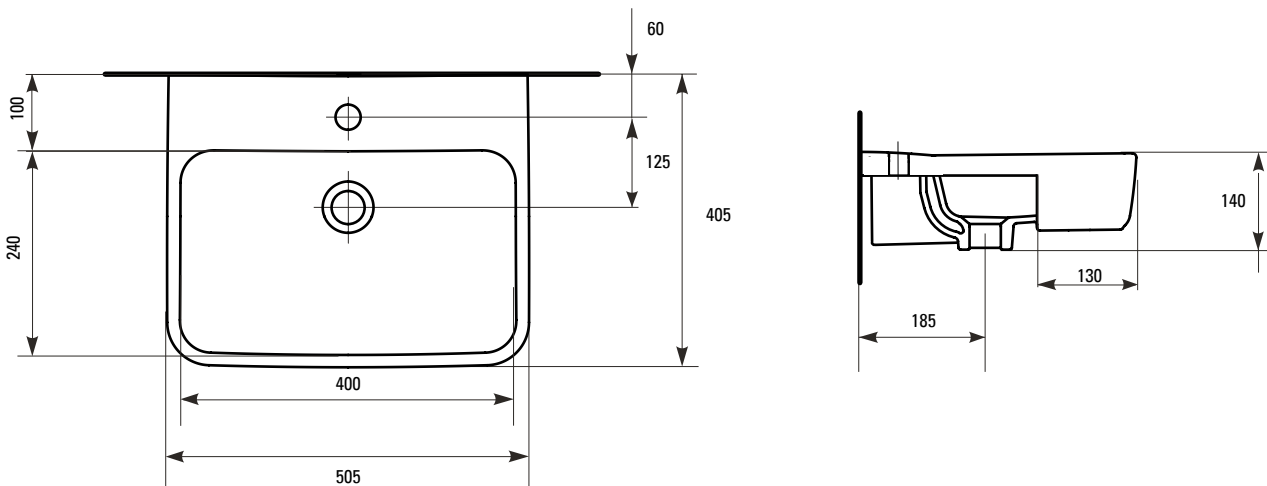
# ROPER RHODES®

No.	Description	Code	Fixings Included
1	Geo Standard Depth 500 SCT Basin 1TH	G3SCBAS50	No



### Dimensions - G3SCBAS50

Diagrams not to scale. All dimensions in mm (tolerance of +/-5mm)



\*Dimensions are subject to change, customers are advised to measure actual product before commencing installation.  
\*\*Fixing point dimensions are for guidance only/the positions of wall fixing must be checked when product is received.

### FAQs

**Q: Does the basin have an overflow?**

**A: Yes, Integrated.**

**Q: What is the water depth (to the overflow)?**

**A: 44 mm**

**Q: Is a template supplied?**

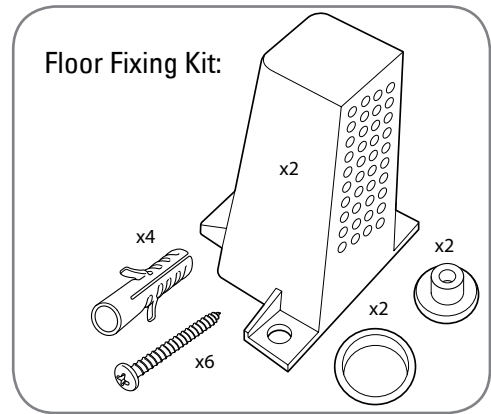
**A: Yes.**

# Technical Data Sheet

Geo CC Open Back Pan - GCCPAN2

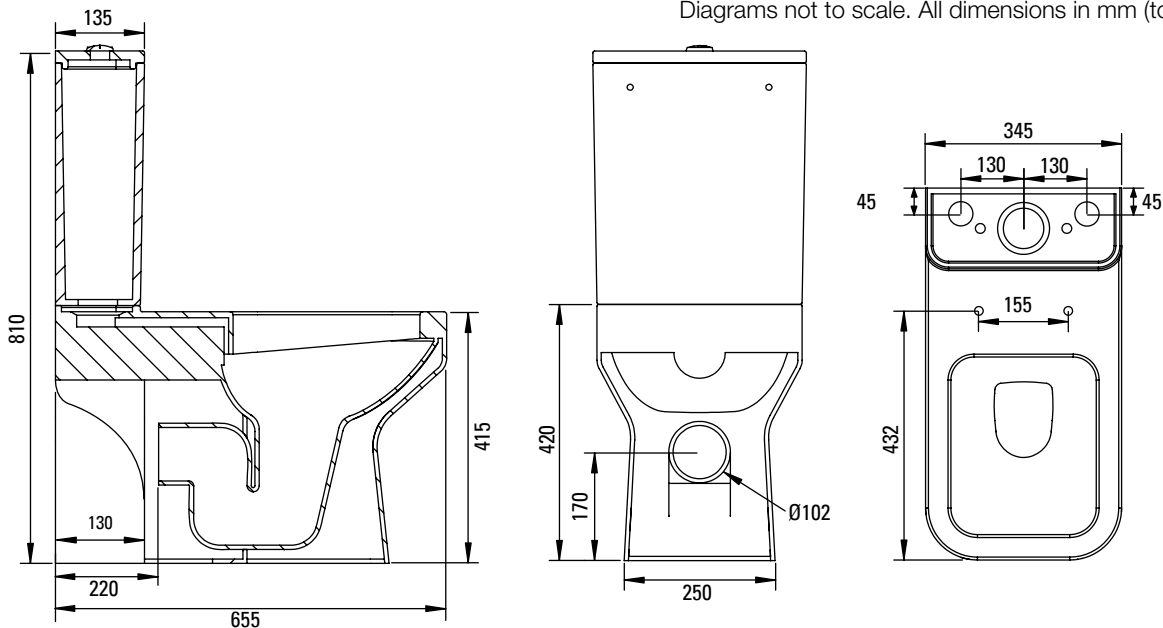
# ROPER RHODES®

No.	Description	Code	Fixings Included
1	Geo Close Coupled Open Back Pan - 655mm	GCCPAN2	Yes
2	Geo Soft Close Seat	GSCTS	Yes
3	Geo Cistern inc. Flush Fitting and Lid	GCCTNK	Yes



## Dimensions - GCCPAN2

Diagrams not to scale. All dimensions in mm (tolerance of +/-5mm)



\*Dimensions are subject to change, customers are advised to measure actual product before commencing installation.  
 \*\*Fixing point dimensions are for guidance only/the positions of wall fixing must be checked when product is received.

## FAQs

**Q: What side is the inlet located?**

A: Right or Left side.

**Q: Are there any other compatible seats?**

A: No.

**Q: Can this pan be used with a side connection outlet pipe?**

A: Yes. Side Void = 130mm

**Q: The cistern lid won't shut/the cistern isn't working correctly.**

A: Ensure the inlet and flush valves are set to the correct heights and that the net valve float isn't foiled on the side wall.

**Q: What is the flush volume?**

A: 6.0/4.0 L

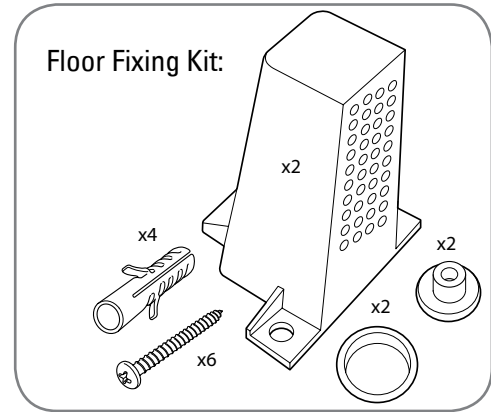
Footprint Dimensions	
Front to Back	540mm
Left to Right (Front)	245mm
Left to Right (Back)	250mm
Central Width2	70mm

# Technical Data Sheet

Geo Close Coupled Pan - GCCPAN

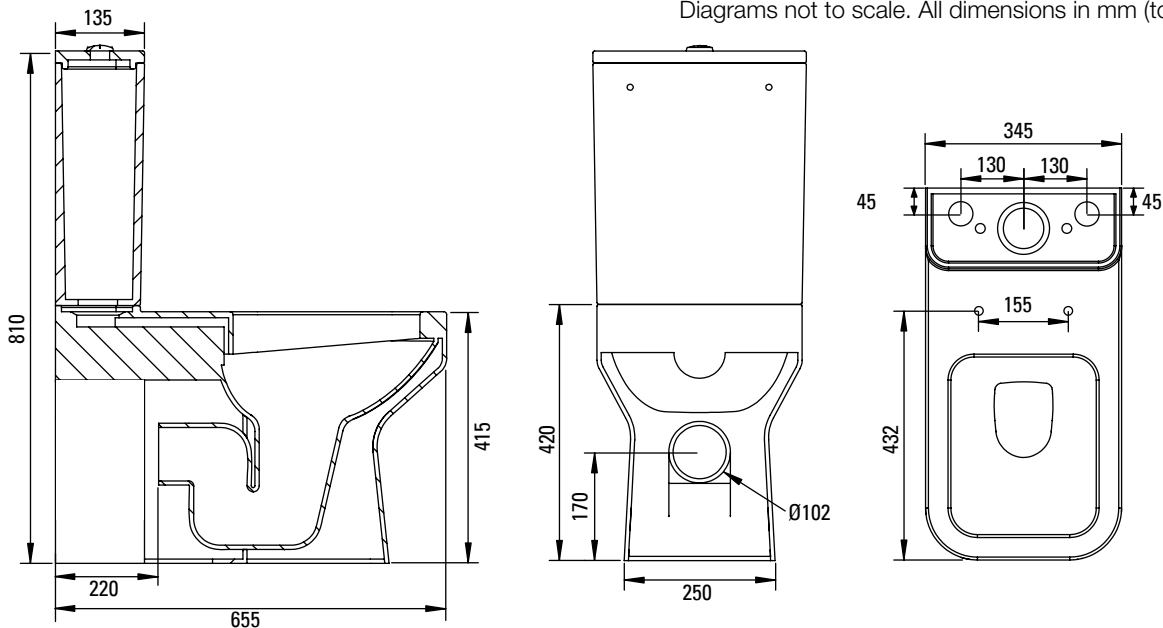
# ROPER RHODES®

No.	Description	Code	Fixings Included
1	Geo Close Coupled Pan	GCCPAN	Yes
2	Geo Soft Close Seat	GSCTS	Yes
3	Geo Cistern inc. Flush Fitting and Lid	GCCTNK	Yes



## Dimensions - GCCPAN

Diagrams not to scale. All dimensions in mm (tolerance of +/-5mm)



\*Dimensions are subject to change, customers are advised to measure actual product before commencing installation.

\*\*Fixing point dimensions are for guidance only/the positions of wall fixing must be checked when product is received.

## FAQs

Q: What side is the inlet located?

A: Right or Left side.

Q: Are there any other compatible seats?

A: No.

Q: Can this pan be used with a side connection outlet pipe?

A: No.

Q: The cistern lid won't shut/the cistern isn't working correctly.

A: Ensure the inlet and flush valves are set to the correct heights.

Q: What are the cistern flush settings?

A: 6.0/4.0L

Footprint Dimensions	
Front to Back	540mm
Left to Right (Front)	245mm
Left to Right (Back)	250mm
Central Width2	70mm