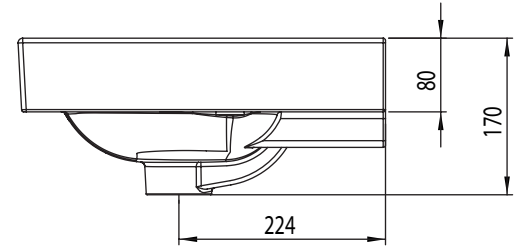
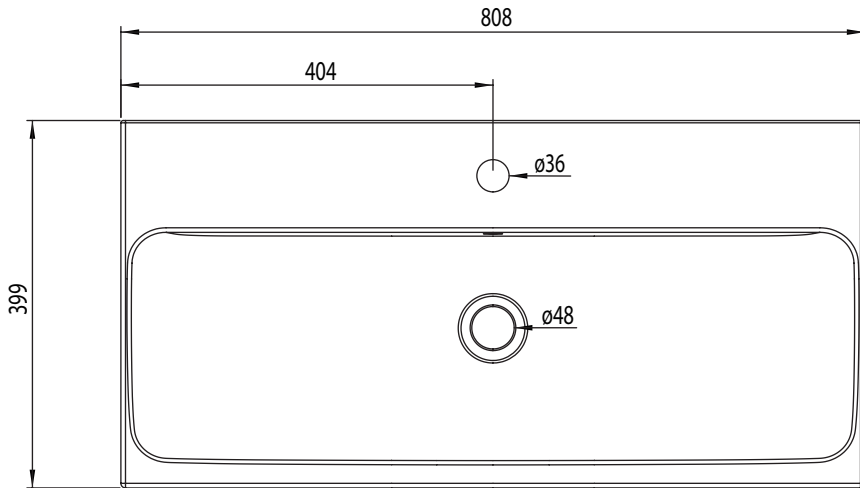


Technical Data Sheet

ROPER RHODES®

Frame 800mm Ceramic Basin

Whats in the box: 1x FRM800C



Diagrams not to scale
All dimensions in mm
tolerance of +5mm

Materials

Basin: Ceramic

**Dimensions are subject to change, customers are advised to measure actual product before commencing installation.

***Fixing point dimensions are for guidance only/the positions of wall fixing must be checked when product is received.

FAQs

Q: What is the maximum water depth of the basin?

A: 82mm up to the overflow.

Q: What is the internal depth?

A: The internal depth is 247mm.

Q: What's is the depth of the Tapledge?

A: The Tapledge is 120mm deep.

Q: What's the distance from the Taphole centre to the Basin Waste?

A: 166mm

NOTE: Colours unique to Roper Rhodes - No RAL Code available