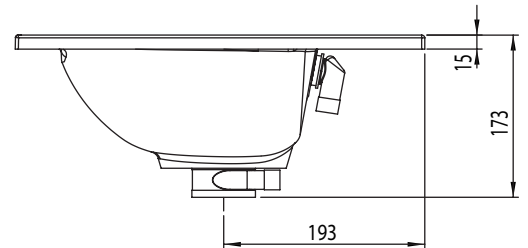
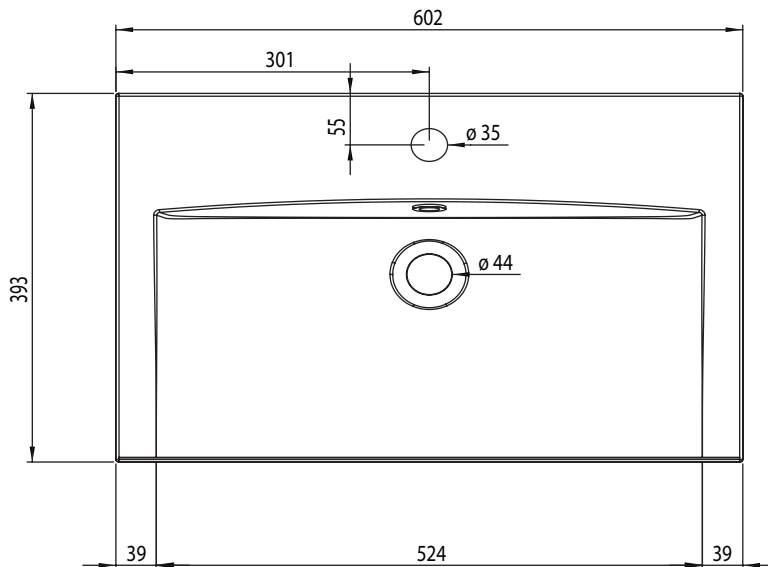


# Technical Data Sheet

# ROPER RHODES®

## Frame 600mm Isocast Basin

Whats in the box: 1x FRM600IS + Overflow Kit



Diagrams not to scale  
All dimensions in mm  
tolerance of +5mm

\*\*Dimensions are subject to change, customers are advised to measure actual product before commencing installation.

### Materials

Basin: Isocast (Gloss Finish)

Has many names including:

- Gelcoat
- Cultured marble
- Cast mineral marble
- Synthetic marble

Base material is 70% natural (aggregate dolomite rock - calcareous magnesium carbonate). A misconception is that this material is completely manmade. The other 30% is a mixture of various polyester resins. 1.5 - 2.0mm Top coating of "gelcoat" which is the proprietary name for the polyester resin used to seal all top faces of the basin / worktop. Tolerance of +3/-0mm. Ceramic is more typically +5/-5mm. Fully tested against multiple stains which can either be removed with standard cleaners (autosol for example) or the specialist clean and shine repair kits.

### FAQs

- Q: What is the maximum water depth of the basin?  
A: 80mm up to the overflow.
- Q: What is the internal depth?  
A: The internal depth is 281mm.
- Q: Whats is the depth of the Tapledge?  
A: The Tapledge is 115mm deep.
- Q: What's the distance from the Taphole centre to the Basin Waste?  
A: 138mm.
- Q: Are there marks for taphole options?  
A: No, the taphole is pre-drilled.