

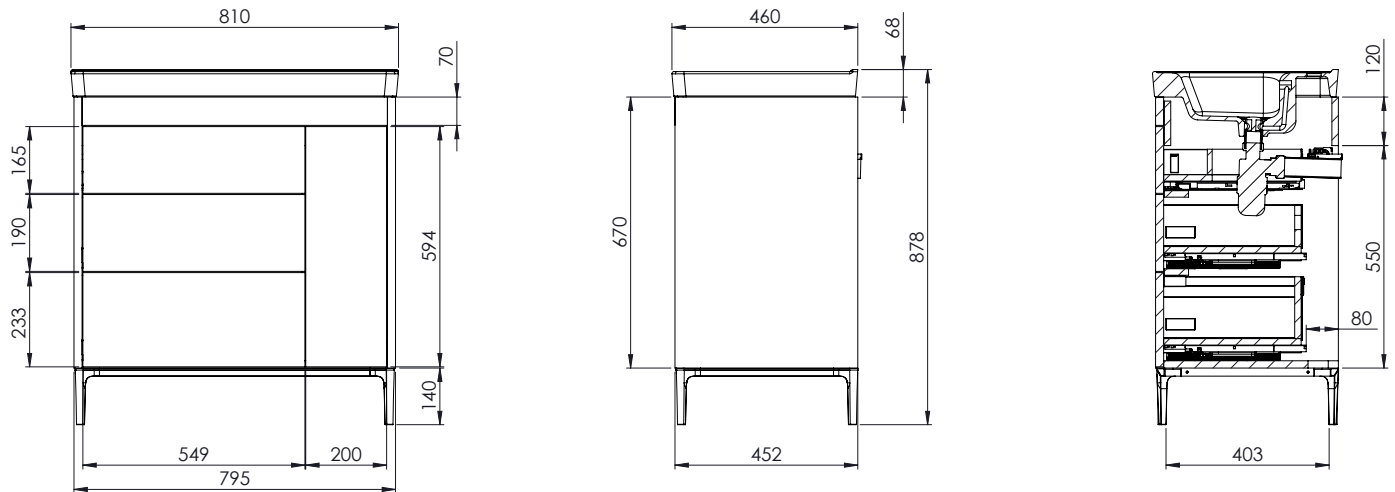
# Technical Data Sheet

# ROPER RHODES®

## FAIRMONT 800mm FLOOR MOUNTED UNIT

What's in the box: 1x FAIRMONT 800mm + Fixings

\*Reference basin TDS for further info



### Materials

Carcass: 16mm, 18mm and 20mm Painted & Melamine faced MDF

Fascia Components: 20mm Painted MDF

Diagrams not to scale  
All dimensions in mm  
Tolerance of +/-5mm

\*\*Dimensions are subject to change, customers are advised to measure actual product before commencing installation.

\*\*\*Fixing point dimensions are for guidance only/the positions of wall fixing must be checked when product is received.

### Extra Dimensions

Internal Drawer Depth - Front to Back:

324mm (Slim Drawer: 274mm)

Internal Drawer Height:

63mm (Top) 102mm (Middle) 103mm (Bottom)  
(Slim Drawer: 68mm (top) 201mm (bottom))

Internal Drawer Width:

506mm (Slim Drawer: 152mm)

Drawer Cut Out (W&D):

130mm x 220mm

### FAQs

Q: Can the unit be purchased without legs?

A: Yes, the unit can be installed wall hung without legs.

Q: How big is the plumbing void?

A: 80mm. The base panel has a cut out for pipe work allowance.

Q: Are the handles fitted?

A: No, there are two handle options for which the holes need drilling. Please refer to the handle template provided.

Q: Are the runners soft close?

A: The runners are both soft close and quick release.

Q: How deep is the unit when the drawers are fully open?

A: Approx: 750mm.

Q: Can the drawers be adjusted?

A: The drawer fascia's can be adjusted as detailed in the supplied instructions.

Q: Do the legs come pre-applied for furniture?

A: No - refer to instructions for installation method.

Q: Does the customer have to assemble leg components?

A: Yes, refer to instructions for installation method.

Q: What is the interior finish of the unit?

A: The unit interior finish is dark grey except for the side panels which match the exterior finish.

NOTE: Colours unique to Roper Rhodes - No RAL Code available