

# TECHNICAL DATA SHEET

Define WC Toilet Seat - 8704WSC

**ROPER RHODES®**

NO.	Description	Product Code	Fixings included	Gross Weight	Seat Weight
1	Define Soft Close Toilet Seat	8704WSC	YES	3kg	2.5kg



## Spares Codes

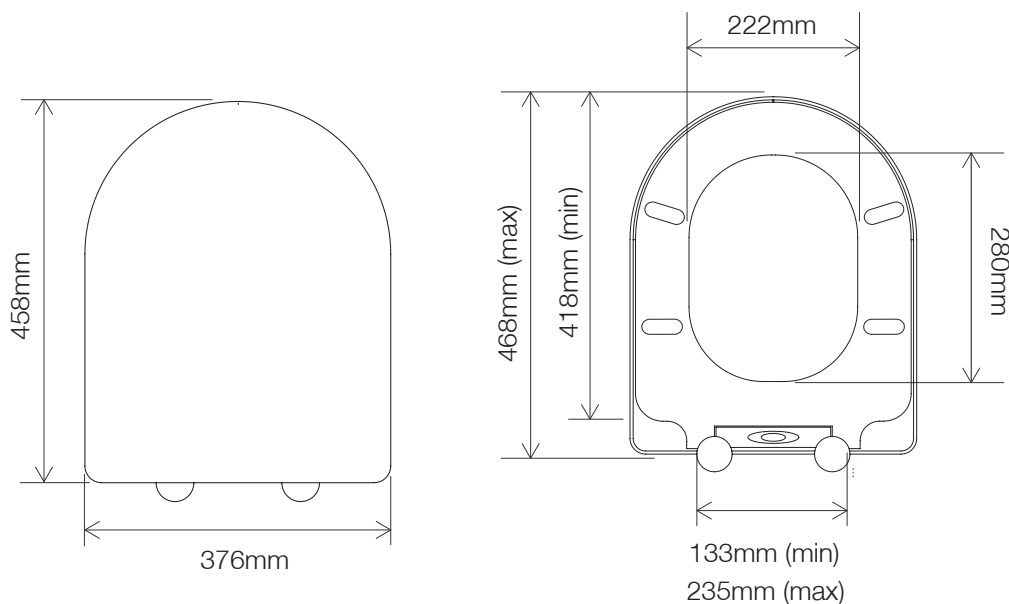
Rubber Top Fix Inserts and Screws - SP12553

Lid Buffer Pack - SP17487

Ring Buffer Pack - SP18152

## DIMENSIONS

DIAGRAMS NOT TO SCALE | ALL DIMENSIONS IN MM | TOLERANCE OF ± 5MM  
ALL PRODUCTS CONFORM TO THE BRITISH FIXING STANDARDS



\*Dimensions are subject to change, customers are advised to measure actual product before commencing installation.

## FAQs

Q - What's the maximum test load of the seat?

A - 150kg

Q - What are the fixings made from?

A - Reinforced nylon base plates with stainless steel cover caps

Key Dimensions Descriptions	Key Dimensions (mm)
Seat/Lid Front to Back	450mm
Seat/Lid Left to Right	379mm
Ring Hole Front to Back	285mm
Ring Hole Left to Right	228mm
Seat Overall Thickness	40mm
Min/Max Adjustment for Fixings	60/185, 415/470