

# TECHNICAL DATA SHEET

Chalk White Painted SC Toilet Seat - DC4005

**ROPER RHODES®**

NO.	Description	Product Code	Fixings included	Gross Weight	Net Weight
1	Chalk White Painted SC Toilet Seat	DC4005	YES	3.65kg	--



## Spares Codes:

Bar Hinge Assembly for Oak Seat - SP14198

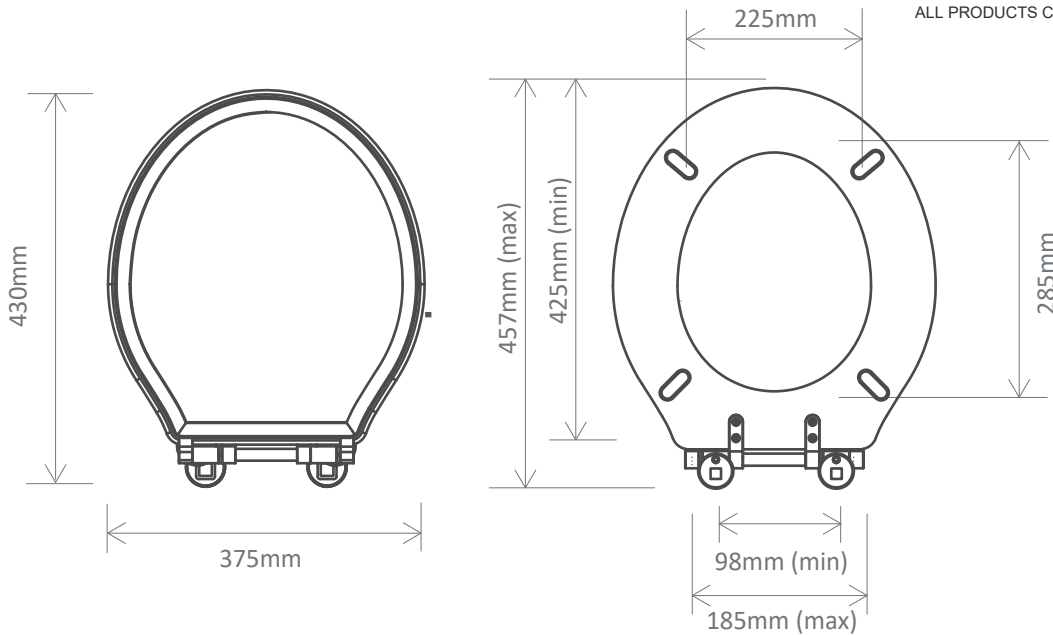
Bar Hinge Assembly for White Seat - SP14199

Soft Close Toilet Seat Bar Hinge  
Fixing Pack - SP14200

Spare O-Ring Base Seal (x1) - SP17378

## DIMENSIONS - PRODUCT CODE

DIAGRAMS NOT TO SCALE | ALL DIMENSIONS IN MM | TOLERANCE OF ± 5MM  
ALL PRODUCTS CONFORM TO THE BRITISH FIXING STANDARDS



\*Dimensions are subject to change, customers are advised to measure actual product before commencing installation.

\*\*Fixing point dimensions are for guidance only/the positions of wall fixing must be checked when product is received.

## FAQs

Q - What's the maximum test load of the seat?

A - 150kg

Q - What are the fixings made from?

A - See fixing details

Key Dimensions Descriptions	Key Dimensions (mm)
Seat/Lid Front to Back	430mm
Seat/Lid Left to Right	375mm
Ring Hole Front to Back	285mm
Ring Hole Left to Right	225mm
Seat Overall Thickness	57mm
Width of Back of Seat	Input Dimension
Min/Max Adjustment for Fixings	98/185, 425/457