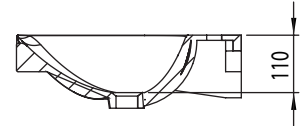
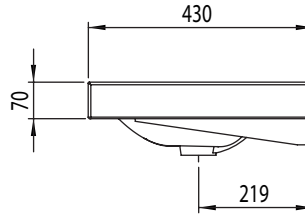
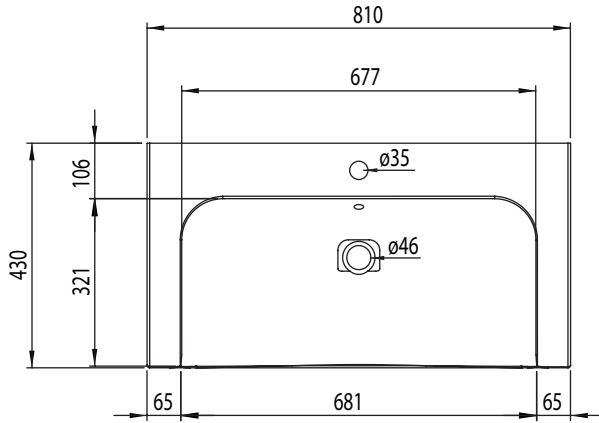


Technical Data Sheet

ROPER RHODES®

BREATHE 810mm Ceramic Basin

Whats in the box: 1x BRE800C



Diagrams not to scale
All dimensions in mm
tolerance of +/-5mm

Materials

Basin: Ceramic

*Dimensions are subject to change, customers are advised to measure actual product before commencing installation.

**Fixing point dimensions are for guidance only/the positions of wall fixing must be checked when product is received.

FAQs

Q: What is the maximum water depth of the basin?

A: 61mm up to the overflow.

Q: What is the internal depth?

A: The internal depth is 110mm.

Q: Whats is the width of the Tapledge?

A: The Tapledge is 106mm wide.

Q: What is the distance from the Taphole centre to Basin Waste?

A: 167mm