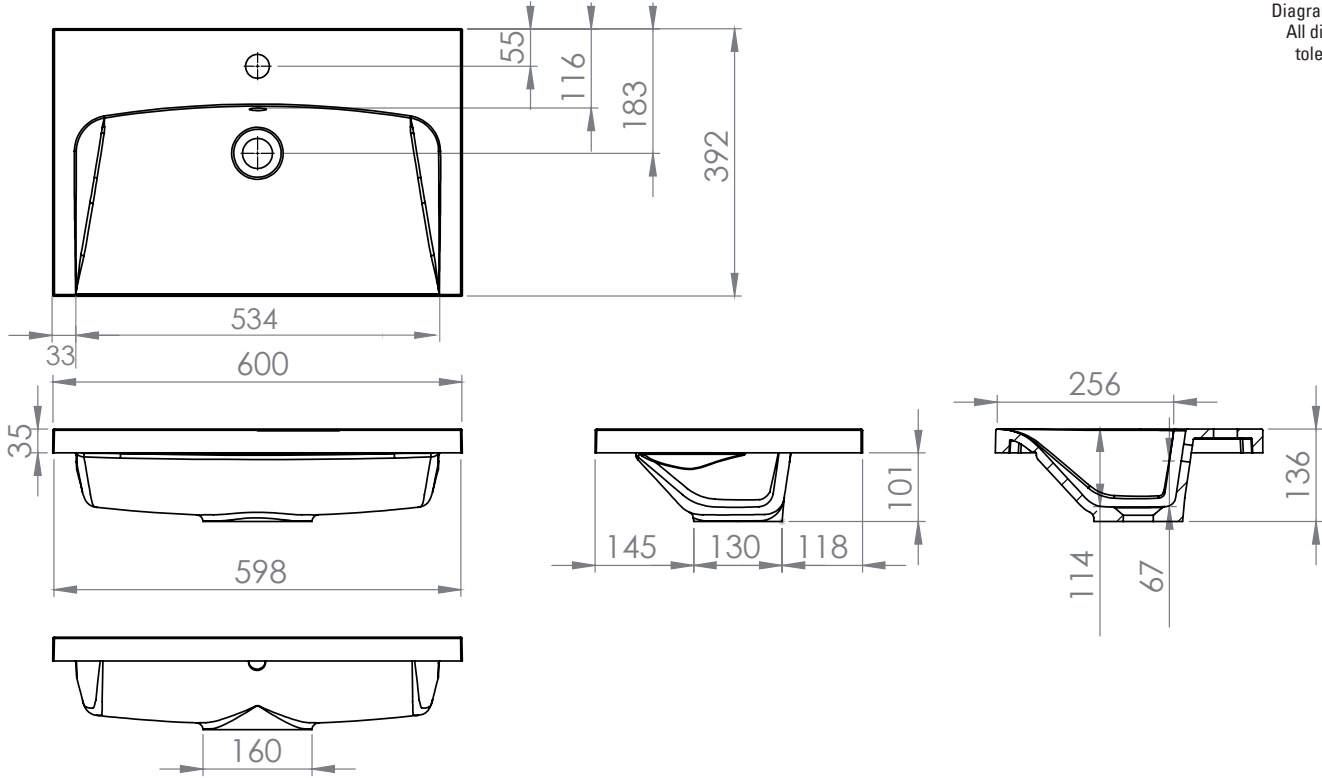
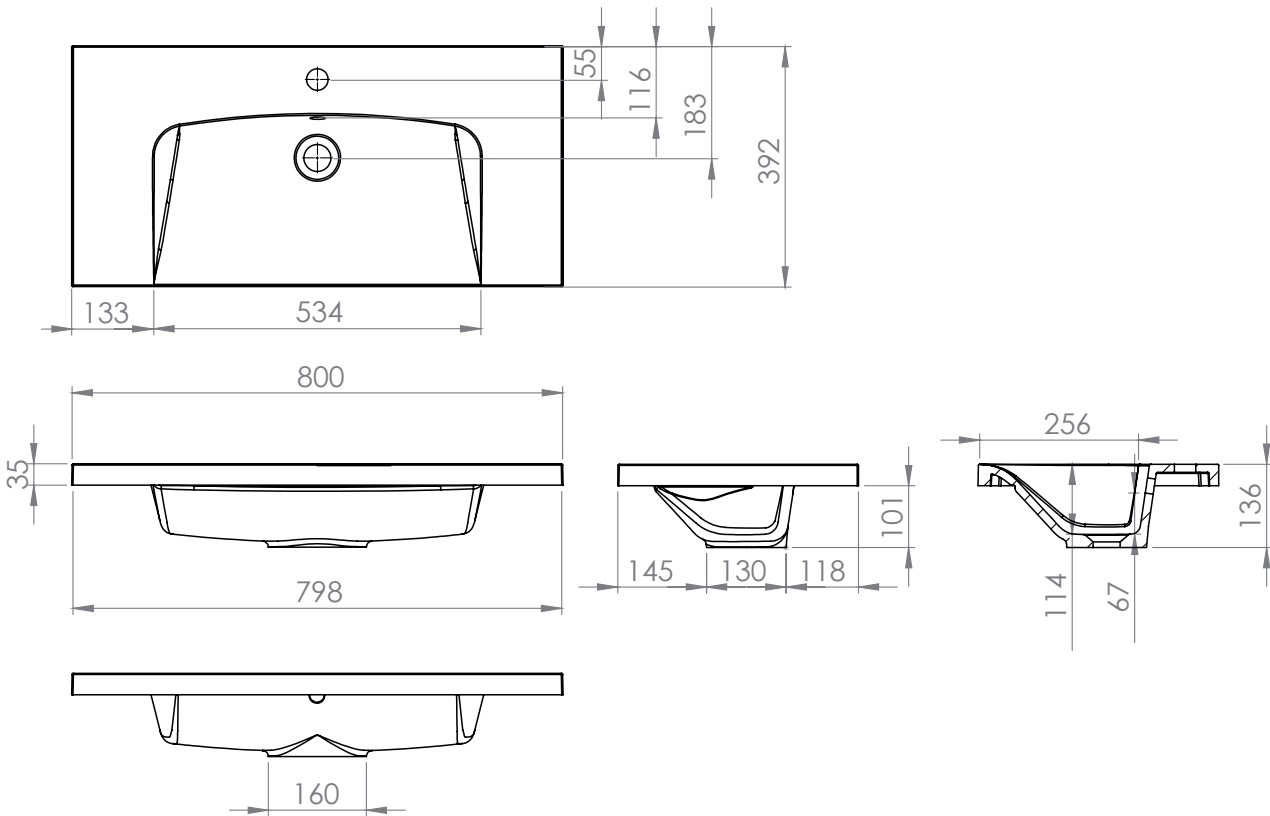


Dimensions - Isocast Basin 600



Diagrams not to scale
All dimensions in mm
tolerance of +5mm

Dimensions - Isocast Basin 800



Diagrams not to scale
All dimensions in mm
tolerance of +5mm