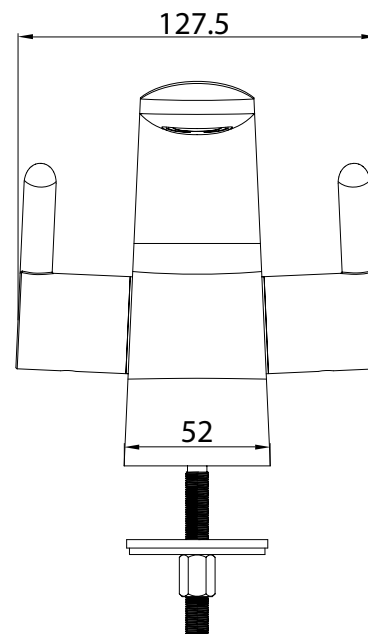
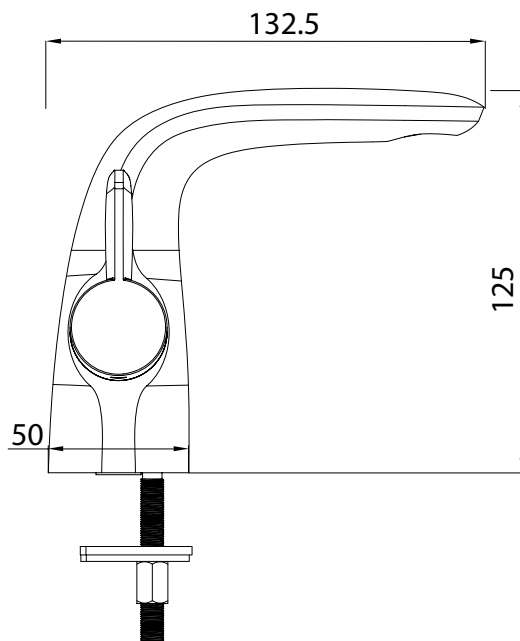


No.	Description	Code	Fixings Included
1	BASIN MIXER	T271102	YES



Water Pressure	Mixed Water Flow Rate
0.2 Bar	4.3 L/m
0.3 Bar	5.1 L/m
0.4 Bar	6.2 L/m
0.5 Bar	6.7 L/m
1.0 Bar	9.8 L/m
2.0 Bar	14.2 L/m
3.0 Bar	17.5 L/m
4.0 Bar	20.1 L/m
5.0 Bar	22.7 L/m

Dimensions



Diagrams not to scale
All dimensins in mm
tolerance of +5mm

Additional information

FAQ's

Continuation sheet, title here

Additional information